

**E**

**Air Preparation Products**

# Air Preparation Products

## Air Preparation Products

### Global FRL's



- Port size: 1/4 through 3/4 inch
- Maximum supply pressure: 300 PSIG
- Operating temperature: -13°F through 150°F
- Filters, regulators, filter / regulators, lubricators and accessories

E3

### General Industrial FRL's



- Port size: 1/8 through 3 inch
- Maximum supply pressure: 250 PSIG
- Operating temperature: 32°F through 150°F
- Filters, regulators, filter / regulators, lubricators and accessories

E83

### Prep-Air II FRL's



- Compact & standard
- Port size: 1/4 through 3/4 inch
- Filters, regulators, filter / regulators, lubricators and accessories
- Operating temperature: 32°F through 175°F
- Point of use applications
- Modular construction

E44

### Stainless Steel FRL's



- Port sizes: 1/4 and 1/2 inch
- Stainless steel construction handles most corrosive environments
- Operating temperature -40°F through 180°F
- Meets NACE specifications MR-01-75/ISO 15156
- Filters, regulators, filter / regulators, and lubricators

E104

### Miniature FRL's



- Port size: 1/8 through 3/8 inch
- Filters, regulators, filter / regulators, lubricators and accessories
- Operating temperature: -4°F through 125°F
- Non-modular construction
- Ideal for point of use applications

E63

### Precision / Proportional Regulators



- Port sizes: 1/4 through 2 inch
- Maximum supply pressure: 300 PSIG
- Operating temperature: -40°F through 200°F
- High precision
- Electronic proportional

E111

### P3N FRL's



- Port size: 3/4 through 1-1/2 inch
- Filters, regulators, filter / regulators, lubricators and accessories
- Operating temperature: 32°F through 175°F
- High flow

E74

### Bulk Liquid Separators



- Port sizes 1/4 through 6 inch flange
- High liquid removal efficiencies at all flow conditions
- Low maintenance
- Suitable for variable flow compressors

E122



Air Preparation Products

Global

Prep-Air II

Miniature

P3N

General Industrial

Stainless Steel

Precision / Proportional

Bulk Liquid Separators

## P3NF Hi-Flow Particulate Filters

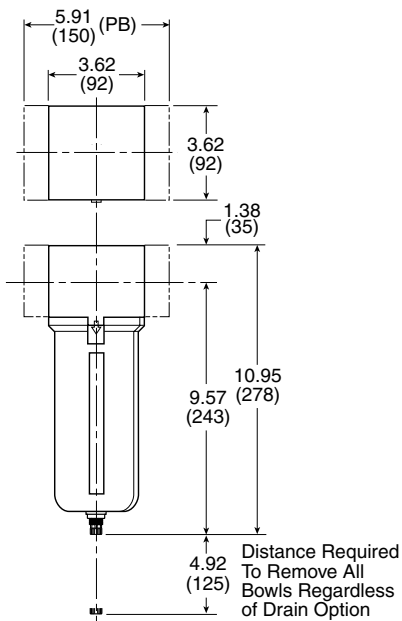
- Excellent water removal efficiency
- Port blocks (PB) available to provide 1-1/2" port extension to 1" ported bodies
- 40 micron element standard
- Metal bowl with sight gauge standard
- 3/4", 1", & 1-1/2" ports (NPT & BSPP)

### Material specifications

Description	P3NF (Hi-Flow)
Body	Aluminum
Bowl	Aluminum
Deflector	Plastic
Drain	Plastic
Filter element – 40 micron	Plastic
Seals	Nitrile
Sight gauge	Polyamide (Nylon)



### P3NF (Hi-Flow)



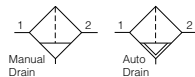
### Operating information


		P3NF (Hi-Flow)
Operating pressure:	Metal bowl	0 to 250 PSIG (0 to 17.2 bar)
	Auto float drain	15 to 250 PSIG (1.0 to 17.2 bar)
Operating temperature:	Metal bowl	32°F to 175°F (0°C to 80°C)

### Service kits

Description	P3NF (Hi-Flow)	
Bowl Kits –	Sight gauge / auto float	<b>P3NKA00BSA</b>
	Sight gauge / twist drain	<b>P3NKA00BSM</b>
Bowl latch kit	<b>C11A33</b>	
DPI replacement kit	<b>PS781P</b>	
Drain kit –	Auto drain	<b>PS506P</b>
	Twist drain	<b>PS512P</b>
Filter element kit –	40 micron	<b>P3NKA00ESG</b>
	5 micron	<b>P3NKA00ESE</b>
	Adsorber	<b>P3NKA00ESA</b>
Mounting bracket kit	<b>P3NKA00MW</b>	
Sight gauge kit	<b>P3NKA00PE</b>	

### P3NF Particulate Filters



	Port size	Bowl type	Sight gauge	Flow SCFM	Element type	Part number (NPT)	
						Twist drain	Automatic float drain
P3NF 	3/4"	Metal	Yes	270	40 micron	<b>P3NFA96GSM</b>	<b>P3NFA96GSA</b>
	1"	Metal	Yes	300	40 micron	<b>P3NFA98GSM</b>	<b>P3NFA98GSA</b>
	1-1/2" #	Metal	Yes	310	40 micron	<b>P3NFA9PGSM</b>	<b>P3NFA9PGSA</b>

# 1" port body with 1-1/2" port block

**Note:** BSPP ported units supplied using NPT ported bodies and BSPP port block kits.

Most popular.





Air Preparation Products

Global

Prep-Air II

Miniature

P3N

General Industrial

Stainless Steel

Precision / Proportional

Bulk Liquid Separators

## P3NF Hi-Flow Coalescing Filters

- Removes liquid aerosols and sub-micron particles
- Port blocks (PB) available to provide 1-1/2" port extension to 1" ported bodies
- 0.01 micron element standard
- Metal bowl with sight gauge standard
- 3/4", 1", & 1-1/2" ports (NPT & BSPP)



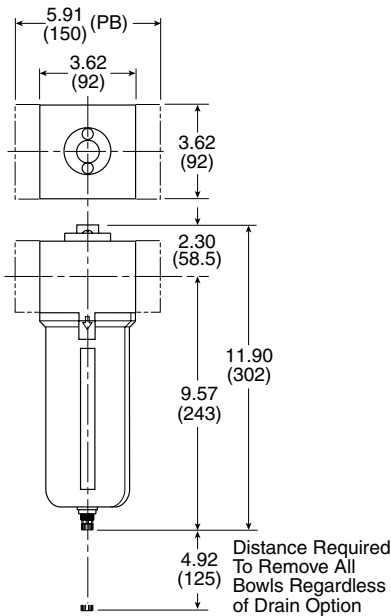
### Material specifications

Description	P3NF (Hi-Flow)
Body	Aluminum
Bowl	Aluminum
Deflector	Plastic
Drain	Plastic
Filter elements – 1.0 micron	Borosilicate & felt glass fibers
Seals	Nitrile
Sight gauge	Polyamide (Nylon)

### Operating information

		P3NF (Hi-Flow)
Operating pressure:	Metal bowl	0 to 250 PSIG (0 to 17.2 bar)
	Auto float drain	15 to 250 PSIG (1.0 to 17.2 bar)
Operating temperature:	Metal bowl	32°F to 175°F (0°C to 80°C)

### P3NF (Hi-Flow)



### Service kits

Description	P3NF (Hi-Flow)	
Bowl Kits –	Sight gauge / auto float	<b>P3NKA00BSA</b>
	Sight gauge / twist drain	<b>P3NKA00BSM</b>
Bowl latch kit	<b>C11A33</b>	
DPI replacement kit	<b>PS781P</b>	
Drain kit –	Auto drain	<b>PS506P</b>
	Twist drain	<b>PS512P</b>
Filter element kit –	Grade 6 (standard)	<b>P3NKA00ESCB</b>
	Grade 10 (optional)	<b>P3NKA00ES9</b>
Mounting bracket kit	<b>P3NKA00MW</b>	
Sight gauge kit	<b>P3NKA00PE</b>	

### Coalescing Filters



	Port size	Bowl type	Sight gauge	Flow SCFM	Element type	Part number (NPT)	
						Twist drain	Automatic float drain
P3NF	3/4"	Metal	Yes	130	0.01 micron	<b>P3NFA96DSM</b>	<b>P3NFA96DSA</b>
	1"	Metal	Yes	140	0.01 micron	<b>P3NFA98DSM</b>	<b>P3NFA98DSA</b>
	1-1/2" #	Metal	Yes	225	0.01 micron	<b>P3NFA9PDSM</b>	<b>P3NFA9PDSA</b>



# 1" port body with 1-1/2" port block

**Note:** BSPP ported units supplied using NPT ported bodies and BSPP port block kits.

Most popular.





Air Preparation Products

Global

Prep-Air II

Miniature

P3N

General Industrial

Stainless Steel

Precision / Proportional

Bulk Liquid Separators

## P3NR Hi-Flow Regulators

- Port blocks (PB) available to provide 1-1/2" port extension to 1" ported bodies
- Self relieving feature plus balanced poppet provides quick response and accurate pressure regulation
- Solid control piston for extended life
- 3/4", 1", & 1-1/2" ports (NPT & BSPP)



### P3NR Hi-Flow Regulators



	Port size	Gauge	Flow (SCFM)	Part number (NPT), Relieving
	3/4"	No	200	<b>P3NRA96BNN</b>
	1"	No	300	<b>P3NRA98BNN</b>
	1-1/2"	No	300	<b>P3NRA9PBNN</b>
	3/4"	125 PSI	200	<b>P3NRA96BNG</b>
	1"	125 PSI	300	<b>P3NRA98BNG</b>
	1-1/2"	125 PSI	300	<b>P3NRA9PBNG</b>

**Note:** BSPP ported units supplied using NPT ported bodies and BSPP port block kits.

### Material specifications

	P3NR
Adjusting screw	Steel
Body	Aluminum
Bonnet	Aluminum
Knob	Plastic
Piston	Plastic
Poppet assembly	Brass
Seals	Nitrile
Springs – poppet & control	Steel

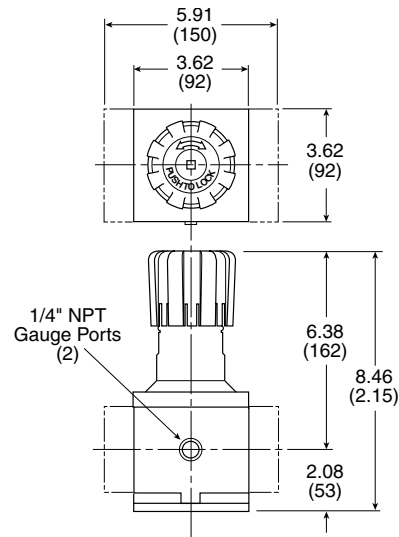
### Service kits

Body service kit	
Control knob	<b>P3NKA00PN</b>
Gauges –	
50mm (2") round	60 PSIG (0 to 4.1 bar)
1/4" center back mount	160 PSIG (0 to 11.0 bar)
	300 PSIG (0 to 20.0 bar)
44mm (1-3/4") digital round	0-160 PSIG / 0-11 bar / 0-1.1 MPa
1/4" center back mount	<b>K4517N14160D</b>
Mounting bracket kit	<b>P3NKA00MW</b>
Repair kits –	
	Non-relieving
	Relieving
	<b>P3NKA00RN</b>
	<b>P3NKA00RR</b>
Springs –	
	1-60 PSIG
	2 to 125 PSIG
	5 to 250 PSIG
	<b>C10A1304</b>
	<b>SPR-47</b>
	<b>SPR-48</b>

### Operating information

Pressure rating, maximum:	250 PSIG (17.2 bar)
Temperature rating:	32°F to 175°F (0°C to 80°C)

### P3NR (Hi-Flow)



#### WARNING

Product rupture can cause serious injury.  
 Do not connect regulator to bottled gas.  
 Do not exceed maximum primary pressure rating.

#### CAUTION: REGULATOR PRESSURE ADJUSTMENT –

The working range of knob adjustment is designed to permit outlet pressures within their full range. Pressure adjustment beyond this range is also possible because the knob is not a limiting device. This is a common characteristic of most industrial regulators, and limiting devices may be obtained only by special design. For best performance, regulated pressure should always be set by increasing the pressure up to the desired setting.

Most popular.



## P3NR Hi-Flow Pilot Operated Regulators

- Port blocks (PB) available to provide 1-1/2" port extension to 1" ported bodies
- Self relieving feature plus balanced poppet provides quick response and accurate pressure regulation
- Solid control piston for extended life
- 3/4", 1", & 1-1/2" ports (NPT & BSPP)



### Operating information

Pressure rating, maximum:	250 PSIG (17.2 bar)
Temperature rating:	32°F to 175°F (0°C to 80°C)
Flow capacity SCFM:	3/4"; 300 1"; 300 1-1/2"; 350

### P3NR Hi-Flow Pilot Operated Regulators

	Port size	Gauge	Part number (NPT), relieving
P3NR	3/4"	No	<b>P3NRA96BPP</b>
	1"	No	<b>P3NRA98BPP</b>
	1-1/2"	No	<b>P3NRA9PBPP</b>
	3/4"	160 PSI	<b>P3NRA96BPG</b>
	1"	160 PSI	<b>P3NRA98BPG</b>
	1-1/2"	160 PSI	<b>P3NRA9PBPG</b>



Note: BSPP ported units supplied using NPT ported bodies and BSPP port block kits.

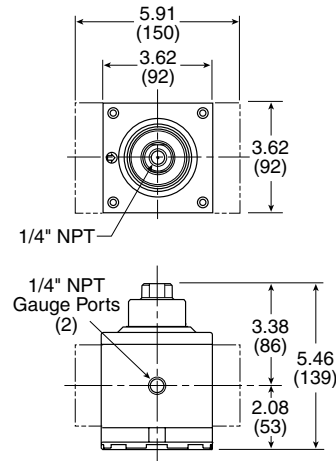
### Material specifications

Adjusting stem	Steel
Body	Aluminum
Bonnet	Aluminum
Piston	Plastic
Poppet assembly	Brass
Seals	Nitrile
Springs – poppet	Steel

### Service kits

Gauges – 50mm (2") round 1/4" center back mount	60 PSIG (0 to 4.1 bar)	<b>K4520N14060</b>
	160 PSIG (0 to 11.0 bar)	<b>K4520N14160</b>
	300 PSIG (0 to 20.0 bar)	<b>K4520N14300</b>
44mm (1-3/4") digital round 1/4" center back mount	0-160 PSIG / 0-11 bar / 0-1.1 MPa	<b>K4517N14160D</b>
Mounting bracket kit		<b>P3NKA00MW</b>
Repair kits	Relieving	<b>P3NKA00PD</b>

### P3NR (Hi-Flow)



#### WARNING

Product rupture can cause serious injury.  
 Do not connect regulator to bottled gas.  
 Do not exceed maximum primary pressure rating.

#### CAUTION: REGULATOR PRESSURE ADJUSTMENT –

The working range of knob adjustment is designed to permit outlet pressures within their full range. Pressure adjustment beyond this range is also possible because the knob is not a limiting device. This is a common characteristic of most industrial regulators, and limiting devices may be obtained only by special design. For best performance, regulated pressure should always be set by increasing the pressure up to the desired setting.

Most popular.





## P3NE Hi-Flow Filter / Regulators

- Port blocks (PB) available to provide 1-1/2" port extension to 1" ported bodies
- Excellent water removal efficiency
- Metal bowl with sight gauge
- Large filter element surface guarantees low pressure drop and increased element life
- 40 micron element standard
- Twist drain as standard, optional auto drain
- Self relieving feature plus balanced poppet provides quick response and accurate pressure regulation
- Solid control piston for extended life
- 3/4", 1", & 1-1/2" ports (NPT & BSPP)



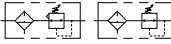
### Material specifications


Adjusting stem	Steel
Body, bonnet, bowl	Aluminum
Drain	Plastic
Filter element – 40 micron	Plastic
Knob	Plastic
Piston	Plastic
Polyamide (Nylon)	Polyamide (nylon)
Springs – poppet & control	Steel

### Operating information

Pressure ratings:	0 to 250 PSIG (0 to 17.2 bar)
Temperature rating:	32°F to 175°F (0°C to 80°C)

### P3NE Hi-Flow Filter / Regulators



	Port size	Bowl type	Drain type	Flow SCFM	Element type	Part number (NPT)
	3/4"	Metal / Sight gauge	Twist	250	40 micron	<b>P3NEA96GSMBNN</b>
	3/4"	Metal / Sight gauge	Auto float	250	40 micron	<b>P3NEA96GSABNN</b>
	1"	Metal / Sight gauge	Twist	250	40 micron	<b>P3NEA98GSMBNN</b>
	1"	Metal / Sight gauge	Auto float	250	40 micron	<b>P3NEA98GSABNN</b>
	1-1/2" #	Metal / Sight gauge	Twist	250	40 micron	<b>P3NEA9PGSMBNN</b>
	1-1/2" #	Metal / Sight gauge	Auto float	250	40 micron	<b>P3NEA9PGSABNN</b>
	# 1" port body with 1-1/2" port block					

**Note:** BSPP ported units supplied using NPT ported bodies and BSPP port block kits.

#### ⚠ WARNING

Product rupture can cause serious injury.  
 Do not connect regulator to bottled gas.  
 Do not exceed maximum primary pressure rating.

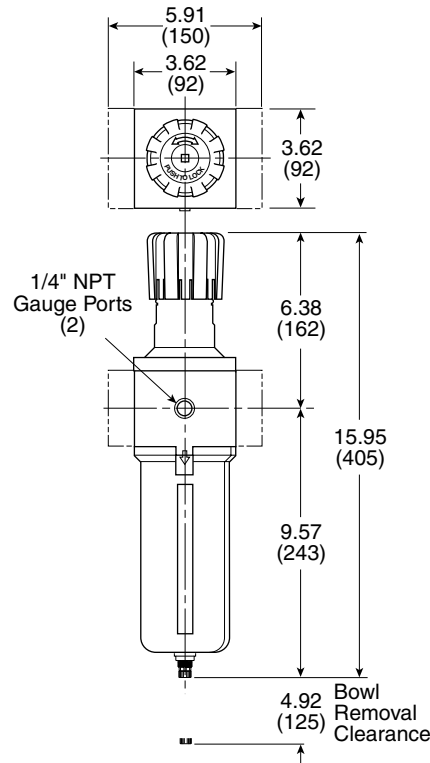
#### CAUTION: REGULATOR PRESSURE ADJUSTMENT –

The working range of knob adjustment is designed to permit outlet pressures within their full range. Pressure adjustment beyond this range is also possible because the knob is not a limiting device. This is a common characteristic of most industrial regulators, and limiting devices may be obtained only by special design. For best performance, regulated pressure should always be set by increasing the pressure up to the desired setting.

 Most popular.



**P3NE (Hi-Flow)**



**Service kits**

Description		P3NE	
Bowl kits: Metal bowl –	Automatic drain	<b>P3NKA00BSA</b>	
	Twist drain	<b>P3NKA00BSM</b>	
Bowl latch kit		<b>C11A33</b>	
Control knob		<b>P3NKA00PN</b>	
Drain kits –	Automatic float drain	<b>PS506P</b>	
	Twist drain	<b>PS512P</b>	
Filter element kits –	40 Micron	<b>P3NKA00ESG</b>	
	5 Micron	<b>P3NKA00ESE</b>	
	Adsorber	<b>P3NKA00ESA</b>	
Gauges –	50mm (2") round 1/4" center back mount	60 PSIG (0 to 4.1 bar)	<b>K4520N14060</b>
		160 PSIG (0 to 11.0 bar)	<b>K4520N14160</b>
		300 PSIG (0 to 20.0 bar)	<b>K4520N14300</b>
	44mm (1-3/4") digital round 1/4" center back mount	0-160 PSIG / 0-11 bar / 0-1.1 MPa	<b>K4517N14160D</b>
Mounting bracket kit* (includes panel mount nut)		<b>P3NKA00MW</b>	
Service kits –	Non-relieving	<b>P3NKA00RN</b>	
	Relieving	<b>P3NKA00RR</b>	
Sight gauge kit		<b>P3NKA00PE</b>	
Springs –	1- 60 PSIG rang)	<b>C10A1304</b>	
	2- 125 PSIG range	<b>C10A1308</b>	
	5-250 PSIG range (white)	<b>C10A1317</b>	



Air Preparation Products

Global

Prep-Air II

Miniature

P3N

General Industrial

Stainless Steel

Precision / Proportional

Bulk Liquid Separators





Air Preparation Products

Global

Prep-Air II

Miniature

P3NL

General Industrial

Stainless Steel

Precision / Proportional

Bulk Liquid Separators

## P3NL Hi-Flow Mist Lubricators

- Port blocks (PB) available to provide 1-1/2" port extension to 1" ported bodies
- Proportional oil delivery over a wide range of air flows
- Bowl can be filled while air line is under pressure
- Transparent sight dome for 360° visibility
- 3/4", 1" & 1-1/2" ports (NPT & BSPP)



### Material specifications


Body	Aluminum
Bowls	Aluminum
Drains – twist (optional)	Plastic
Injector meter block & base assembly	Plastic
Seals	Nitrile
Sight dome	Polycarbonate
Sight gauge	Polyamide (Nylon)

### Operating information

Pressure ratings: 0 to 250 PSIG (0 to 17.2 bar)  
 Temperature rating: 32°F to 175°F (0°C to 80°C)  
 Flow capacity: 3/4" – 240 SCFM  
 1" – 250 SCFM  
 1-1/2" – 260 SCFM  
 Minimum Flow for Lubrication: 6.6 SCFM at 100 PSIG  
 Suggested lubricant: F442 oil  
 Petroleum based oil of 100 to 200 SSU viscosity at 100°F (38°C) and an aniline point greater than 200°F (93°C)  
 (DO NOT USE OILS WITH ADDITIVES, COMPOUNDED OILS CONTAINING SOLVENTS, GRAPHITE, DETERGENTS, OR SYNTHETIC OILS.)

### P3NL Hi-Flow Lubricators



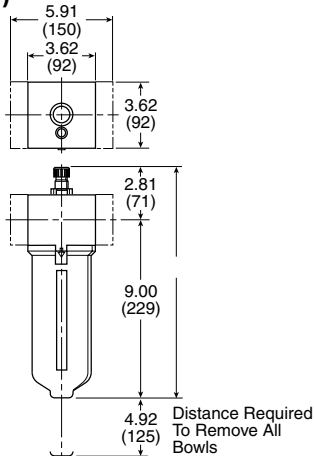
	Port size	Bowl type	Drain type	Flow SCFM	Part number (NPT)
P3NL 	3/4"	Metal / Sight gauge	None	240	<b>P3NLA96LSN</b>
	1"	Metal / Sight gauge	None	250	<b>P3NLA98LSN</b>
	1-1/2" #	Metal / Sight gauge	None	260	<b>P3NLA9PLSN</b>
	# 1" port body with 1-1/2" port block				

Note: BSPP ported units supplied using NPT ported bodies and BSPP port block kits.

### Service kits

		P3NL
Adjustment knob		<b>P04121</b>
Bowl kits: Metal bowl –	No drain	<b>P3NKA00BSN</b>
	Twist drain	<b>P3NKA00BSM</b>
Bowl latch kit		<b>C11A33</b>
Drain kit	Twist drain	<b>PS512P</b>
Fill cap kit		<b>P3NKA00PL</b>
Mounting bracket kit		<b>P3NKA00MW</b>
Oil –	1 Quart	<b>F442001</b>
	12 Quart case	<b>F442003</b>
	4 Gallon case	<b>F442005</b>
Pressure fill adapter kit		<b>P3NKA00PK</b>
Service kit		<b>P3NKA00RL</b>
Sight dome kits –	Polycarbonate	<b>PS740P</b>
	Nylon	<b>PS740N</b>
Sight gauge kit		<b>P3NKA00PE</b>

### P3NL (Hi-Flow)



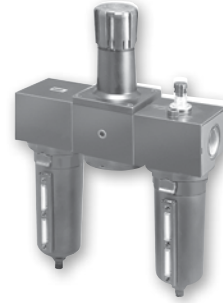
Most popular.



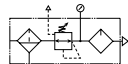
## P3N Hi-Flow Combinations



### Combinations – P3N Hi-Flow Series

- Regulator can be mounted with knob in up or down position
- 40 micron filter element standard
- Manual twist drain
- Relieving regulator
- 3/4", 1", & 1-1/2" ports (NPT & BSPP)



### Modular Combinations



	Port size	Bowl type	Element type	Filter drain type	Pressure range	Relief type	Lubricator drain type	Part number (NPT)
<b>P3NCA</b> 	3/4"	Metal	40 micron	Twist	0-125	Relieving	None	<b>P3NCA96SGMNNLNA</b>
	1"	Metal	40 micron	Twist	0-125	Relieving	None	<b>P3NCA98SGMNNLNA</b>
	1-1/2" #	Metal	40 micron	Twist	0-125	Relieving	None	<b>P3NCA9PSGMNNLNA</b>
<b>P3NCB</b> 	3/4"	Metal	40 micron	Twist	0-125	Relieving	None	<b>P3NCB96SGMNNLNA</b>
	1"	Metal	40 micron	Twist	0-125	Relieving	None	<b>P3NCB98SGMNNLNA</b>
	1-1/2" #	Metal	40 micron	Twist	0-125	Relieving	None	<b>P3NCB9PSGMNNLNA</b>

**Notes:** All combo part numbers are with regulator knob in up position.  
 BSPP ported units supplied using NPT ported bodies and BSPP port block kits.  
 # 1" Port body with 1-1/2" port block.

**⚠ WARNING**

Product rupture can cause serious injury.  
 Do not connect regulator to bottled gas.  
 Do not exceed maximum primary pressure rating.

**CAUTION:**  
**REGULATOR PRESSURE ADJUSTMENT –**  
 The working range of knob adjustment is designed to permit outlet pressures within their full range. Pressure adjustment beyond this range is also possible because the knob is not a limiting device. This is a common characteristic of most industrial regulators, and limiting devices may be obtained only by special design. For best performance, regulated pressure should always be set by increasing the pressure up to the desired setting.

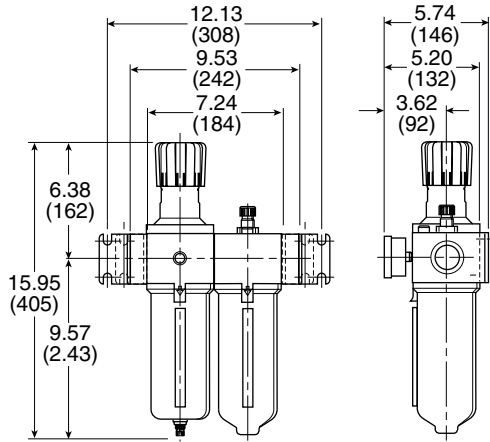
Most popular.



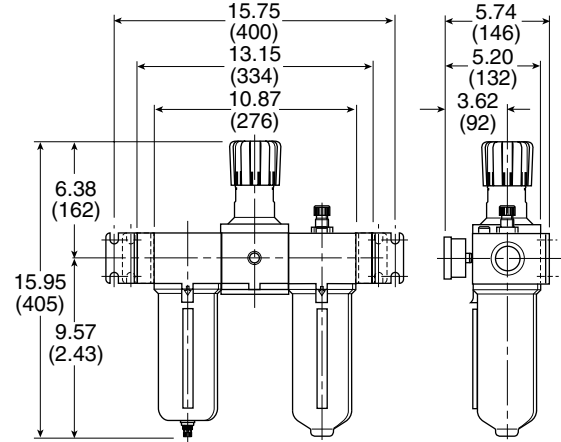
**Parker Pneumatic**

**P3N Hi-Flow Combinations**

**P3NCA (Modular 2-unit)**



**P3NCB (Modular 3-unit)**



**Service kits**

Mounting bracket kit	<b>P3NKA00MW</b>
Replacement body cover	<b>P3NKA00PM</b>

Port block kits	<b>3/4"</b>	<b>1"</b>	<b>1-1/2"</b>
-----------------	-------------	-----------	---------------

Individual filters, individual regulators and 2-piece filter and regulator assemblies:

NPT	<b>P3NKB96CP</b>	<b>P3NKB98CP</b>	<b>P3NKB9BCP</b>
BSPP	<b>P3NKB16CP</b>	<b>P3NKB18CP</b>	<b>P3NKB1BCP</b>

2 and 3 piece combinations including a lubricator (FR/L & FRL), individual lubricators, individual coalescing filters and 2-piece filter and coalescer assemblies:

NPT	<b>P3NKB96CL</b>	<b>P3NKB98CL</b>	<b>P3NKB9BCL</b>
BSPP	<b>P3NKB16CL</b>	<b>P3NKB18CL</b>	<b>P3NKB1BCL</b>



Air Preparation Products

Global

Prep-Air II

Miniature

P3N

General Industrial

Stainless Steel

Precision / Proportional

Bulk Liquid Separators

