

**E**  
Air Preparation Products

# Air Preparation Products

## Air Preparation Products

### Global FRL's



- Port size: 1/4 through 3/4 inch
- Maximum supply pressure: 300 PSIG
- Operating temperature: -13°F through 150°F
- Filters, regulators, filter / regulators, lubricators and accessories

E3

### General Industrial FRL's



- Port size: 1/8 through 3 inch
- Maximum supply pressure: 250 PSIG
- Operating temperature: 32°F through 150°F
- Filters, regulators, filter / regulators, lubricators and accessories

E83

### Prep-Air II FRL's



- Compact & standard
- Port size: 1/4 through 3/4 inch
- Filters, regulators, filter / regulators, lubricators and accessories
- Operating temperature: 32°F through 175°F
- Point of use applications
- Modular construction

E44

### Stainless Steel FRL's



- Port sizes: 1/4 and 1/2 inch
- Stainless steel construction handles most corrosive environments
- Operating temperature -40°F through 180°F
- Meets NACE specifications MR-01-75/ISO 15156
- Filters, regulators, filter / regulators, and lubricators

E104

### Miniature FRL's



- Port size: 1/8 through 3/8 inch
- Filters, regulators, filter / regulators, lubricators and accessories
- Operating temperature: -4°F through 125°F
- Non-modular construction
- Ideal for point of use applications

E63

### Precision / Proportional Regulators



- Port sizes: 1/4 through 2 inch
- Maximum supply pressure: 300 PSIG
- Operating temperature: -40°F through 200°F
- High precision
- Electronic proportional

E111

### P3N FRL's



- Port size: 3/4 through 1-1/2 inch
- Filters, regulators, filter / regulators, lubricators and accessories
- Operating temperature: 32°F through 175°F
- High flow

E74

### Bulk Liquid Separators



- Port sizes 1/4 through 6 inch flange
- High liquid removal efficiencies at all flow conditions
- Low maintenance
- Suitable for variable flow compressors

E122

## 14F Miniature Particulate Filters

- Excellent water removal efficiency
- 5 micron element standard on 14F
- Integral 1/8", 1/4" ports (NPT, BSPP & BSPT)



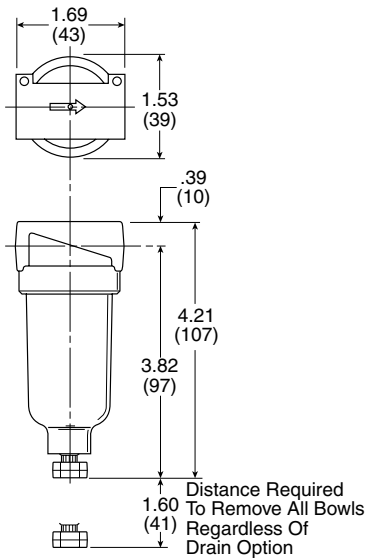
### Material specifications

Description		14F (Mini)
Body		Zinc
Bowl		Polycarbonate
Deflector, element holder, baffle		Plastic
Drains – Twist	Body & stem	Plastic
	Seals	Nitrile
Drains – Auto pulse	Piston & seals	Nitrile
	Stem, seat, adapter & washers	Aluminum
Filter element –	5 micron (Standard)	Plastic
	40 micron (Optional)	Plastic
	Adsorber (Optional)	Activated charcoal
Seals		Nitrile

### Operating information

		14F
Operating pressure:	Poly bowl	0 to 150 PSIG (0 to 10.3 bar)
	Metal bowl	0 to 250 PSIG (0 to 17.2 bar)
	Auto pulse drain	10 to 250 PSIG (0.7 to 17.2 bar)
Operating temperature:	Poly bowl	32°F to 125°F (0°C to 52°C)
	Metal bowl	32°F to 175°F (0°C to 80°C)
	Auto pulse drain	125°F (52°C) or less

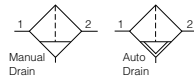
### 14F




### Service kits

Description			14F (Mini)
Bowl Kits	Poly bowl –	Auto pulse drain	<b>PS408BP</b>
		Twist drain	<b>PS404P</b>
	Metal bowl –	Auto drain	<b>PS451BP</b>
		Twist drain	<b>PS447BP</b>
Filter element kit –	40 micron	<b>PS401P</b>	
	5 micron	<b>PS403P</b>	
	Adsorber	<b>PS452P</b>	
Mounting bracket kit			<b>PS417BP</b>

### 14F Particulate Filters



	Port size	Bowl type	Sight gauge	Flow SCFM	Element type	Part number (NPT)	
						Twist drain	Automatic pulse drain
14F 	1/8"	Poly	No	22	5 micron	<b>14F01BB</b>	<b>14F05BB</b>
	1/8"	Metal	No	22	5 micron	<b>14F03BB</b>	<b>14F07BB</b>
	1/4"	Poly	No	24	5 micron	<b>14F11BB</b>	<b>14F15BB</b>
	1/4"	Metal	No	24	5 micron	<b>14F13BB</b>	<b>14F17BB</b>

 Most popular.



## 10F Miniature Coalescing Filters

- Removes liquid aerosols and sub-micron particles
- 0.01 micron element standard
- Integral 1/8", 1/4" ports (NPT, BSPP & BSPT)

### Material specifications

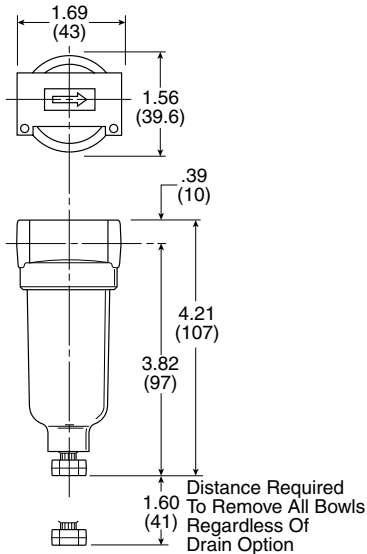
Description		10F (Mini)
Body		Zinc
Bowl		Polycarbonate
Drains – Twist	Body & stem	Plastic
	Seals	Nitrile
Drains – Auto Pulse	Piston & seals	Nitrile
	Stem, seat, adapter & washers	Aluminum
Element holder		Plastic
Filter element	1.0 micron	Borosilicate & felt glass fibers
	0.01 micron	
Seals		Nitrile



### Operating information

10F		
Operating pressure:	Poly bowl	0 to 150 PSIG (0 to 10.3 bar)
	Metal bowl	0 to 250 PSIG (0 to 17.2 bar)
	Auto pulse drain	10 to 250 PSIG (0.7 to 17.2 bar)
Operating temperature:	Poly bowl	32°F to 125°F (0°C to 52°C)
	Metal bowl	32°F to 175°F (0°C to 80°C)
	Auto pulse drain	125°F (52°C) or less

### 10F



### Service kits

Description			10F (Mini)
Bowl Kits	Poly bowl –	Auto pulse drain	<b>PS408BP</b>
		Twist drain	<b>PS404P</b>
	Metal bowl	Auto drain	<b>PS451BP</b>
		Twist drain	<b>PS447BP</b>
Filter element kit –	Grade 6 (standard)	<b>PS446P</b>	
	Grade 10 (optional)	<b>PS456P</b>	
Mounting bracket kit			<b>PS417BP</b>

### Coalescing Filters



	Port size	Bowl type	Sight gauge	Flow SCFM	Element type	Part number (NPT)	
						Twist drain	Automatic pulse drain
10F	1/8"	Poly	No	17	0.01 micron	<b>10F01ED</b>	<b>10F05ED</b>
	1/8"	Poly	No	19	1.0 micron	<b>10F01HD</b>	<b>10F05HD</b>
	1/8"	Metal	No	17	0.01 micron	<b>10F03ED</b>	<b>10F07ED</b>
	1/8"	Metal	No	19	1.0 micron	<b>10F03HD</b>	<b>10F07HD</b>
	1/4"	Poly	No	20	0.01 micron	<b>10F11ED</b>	<b>10F15ED</b>
	1/4"	Poly	No	24	1.0 micron	<b>10F11HD</b>	<b>10F15HD</b>
	1/4"	Metal	No	20	0.01 micron	<b>10F13ED</b>	<b>10F17ED</b>
	1/4"	Metal	No	24	1.0 micron	<b>10F13HD</b>	<b>10F17HD</b>



Most popular.



## 14R, 15R Miniature Regulators

- Unbalanced poppet standard
- Solid control piston with lip seal for extended life
- Non-rising adjusting knob
- Compact, 2.88 inch (73.2mm) high by 1.65 inch (42mm) wide
- Easily serviced
- 14R: 1/8" & 1/4" ports (NPT, BSPP & BSPT)
- 15R: 1/4" & 3/8" ports (NPT, BSPP & BSPT)



14R



15R

### Material specifications



Adjusting nut	Brass
Adjusting stem & spring	Steel
Body	Zinc
Bonnet, seat, piston & valve poppet	Plastic
Seals	Nitrile

### Operating information

	14R (Mini), 15R (Economy)
Pressure rating:	0 to 300 PSIG (0 to 20.4 bar)
Temperature rating:	32°F to 125°F (0°C to 52°C)
Low temperature:	-4°F to 125°F (-20°C to 52°C)
Secondary pressure ranges –	
Standard pressure	2 to 125 PSIG (0 to 8.6 bar)
Medium pressure	1 to 60 PSIG (0 to 4.1 bar)
Medium pressure	1 to 30 PSIG (0 to 2.1 bar)
Low pressure	1 to 15 PSIG (0 to 1 bar)



### Regulators

	Port size	Pressure range	Flow SCFM	Part number (NPT)	
				Without gauge	With gauge
 14R	1/8"	30 PSIG	13	<b>14R010FC</b>	<b>14R015FC</b>
	1/8"	60 PSIG	13	<b>14R011FC</b>	<b>14R016FC</b>
	1/8"	125 PSIG	13	<b>14R013FC</b>	<b>14R018FC</b>
	1/4"	30 PSIG	15	<b>14R110FC</b>	<b>14R115FC</b>
	1/4"	60 PSIG	15	<b>14R111FC</b>	<b>14R116FC</b>
	1/4"	125 PSIG	15	<b>14R113FC</b>	<b>14R118FC</b>
 15R	1/4"	30 PSIG	21	<b>15R110FB</b>	<b>15R115FB</b>
	1/4"	60 PSIG	21	<b>15R111FB</b>	<b>15R116FB</b>
	1/4"	125 PSIG	21	<b>15R113FB</b>	<b>15R118FB</b>
	3/8"	30 PSIG	28	<b>15R210FB</b>	<b>15R216FB</b>
	3/8"	60 PSIG	28	<b>15R211FB</b>	<b>15R215FB</b>
	3/8"	125 PSIG	28	<b>15R213FB</b>	<b>15R218FB</b>

**WARNING**

Product rupture can cause serious injury.  
 Do not connect regulator to bottled gas.  
 Do not exceed maximum primary pressure rating.

**CAUTION: REGULATOR PRESSURE ADJUSTMENT –**

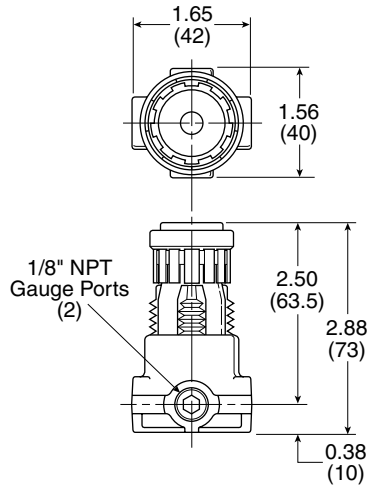
The working range of knob adjustment is designed to permit outlet pressures within their full range. Pressure adjustment beyond this range is also possible because the knob is not a limiting device. This is a common characteristic of most industrial regulators, and limiting devices may be obtained only by special design. For best performance, regulated pressure should always be set by increasing the pressure up to the desired setting.

 Most popular.

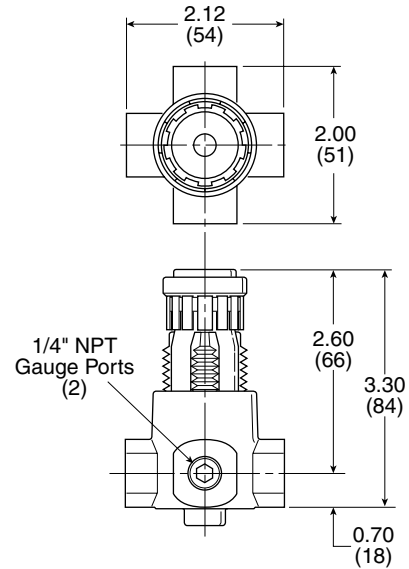


**U**  
 Air Preparation Products  
 Global  
 Prep-Air II  
 Miniature  
 PSN  
 General Industrial  
 Stainless Steel  
 Precision / Proportional  
 Bulk Liquid Separators

**14R (Mini)**



**15R (Economy)**



**Service kits**

Description	14R (Mini)	15R (Economy)
Body service kit – unbalanced		<b>PS424BP</b>
Bonnet assembly kit	<b>L01369</b>	<b>L01369</b>
Bonnet tamperproof kit	<b>P01265</b>	
Gauges –		
40mm (1-1/2") round	30 PSIG, 1/8" NPT (0 to 2.1 bar)	<b>K4515N18030</b>
1/8" center back mount	60 PSIG, 1/8" NPT (0 to 4.1 bar)	<b>K4515N18060</b>
	160 PSIG, 1/8" NPT (0 to 11.0 bar)	<b>K4515N18160</b>
50mm (2") round	60 PSIG, 1/4" NPT (0 to 4.1 bar)	<b>K4520N14060</b>
1/4" center back mount	160 PSIG, 1/4" NPT (0 to 11.0 bar)	<b>K4520N14160</b>
Mounting bracket kit (includes panel mount nut)	<b>PS417BP</b>	<b>PS417BP</b>
Panel mount nuts –		
Plastic	<b>P78652</b>	<b>P78652</b>
Metal	<b>P01531</b>	<b>P01531</b>
Poppet / piston kits –		
Unbalanced, non-relieving	<b>PS428P</b>	<b>PS428P</b>
Unbalanced, relieving	<b>PS426P</b>	<b>PS426P</b>
Seal kit	Unbalanced	<b>PS454B</b>
Springs –		
1-15 PSIG range (Yellow)	<b>P01176</b>	<b>P01176</b>
1-30 PSIG range (Black)	<b>P01175</b>	<b>P01175</b>
1-60 PSIG range (White)	<b>P01174</b>	<b>P01174</b>
2-125 PSIG range (Gold)	<b>P01173</b>	<b>P01173</b>

## R34 Miniature Regulators

- Diaphragm operated for fast operation
- Large Diaphragm to valve area ratio for precise regulation and high flow capacity
- Balanced valve design for precise regulation
- Available in 2 or 4 port design
- Available with a manifold mount to minimize plumbing
- Suitable for low temperature applications
- Non-rising adjusting knob
- 1/8" & 1/4" ports (NPT & BSPP)



R342 / R344



R342-0MC

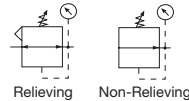
### Material specifications

Description	R34 (Mini)
Body	Aluminum
Bonnet	Acetal
Diaphragm & seals	Nitrile
Springs	Steel
Panel nut	Acetal
Valve assembly	Brass

### Operating information

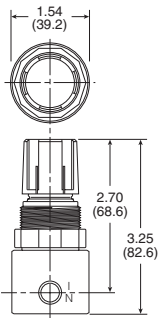
	R34 (Mini)
Supply pressure:	300 PSIG (20.4 bar) max
Temperature rating:	-40°F to 150°F (-40°C to 65.5°C)

### R34 Regulator, relieving

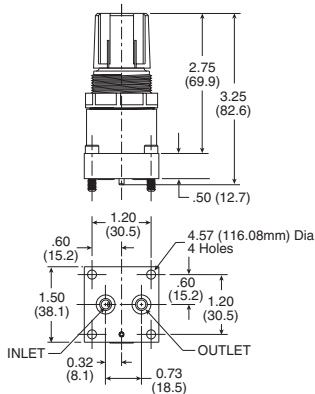


Port size	Pressure range	Flow SCFM	Part number	
			Without gauge	With gauge
1/8"	0 to 30 PSIG (0 to 2.1 bar)	17	R344-01A	R344-01AG
1/8"	0 to 60 PSIG (0 to 4.1 bar)	17	R344-01B	R344-01BG
1/8"	0 to 125 PSIG (0 to 8.6 bar)	17	R344-01C	R344-01CG
1/4"	0 to 30 PSIG (0 to 2.1 bar)	19	R344-02A	R344-02AG
1/4"	0 to 60 PSIG (0 to 4.1 bar)	19	R344-02B	R344-02BG
1/4"	0 to 125 PSIG (0 to 8.6 bar)	19	R344-02C	R344-02CG
Manifold Mount			R342-0MA	
Manifold Mount			R342-0MB	
Manifold Mount			R342-0MC	

### R342 / R344



### R342-0MC



### Service kits

Diagram assembly	Non-relieving	GRP-96-726
	Relieving	GRP-96-725
Gauges -	60 PSIG, 1/8" NPT (0 to 4.1 bar)	K4515N18060
	160 PSIG, 1/8" NPT (0 to 11.0 bar)	K4515N18160
Mounting bracket kit (includes panel mount nut)		SA161X57
Panel mount nuts	Plastic	R05X51-P
	Aluminum	R05X51-A
Springs -	0 to 30 PSIG (0 to 2.1 bar)	GRP-95-111
	0 to 60 PSIG (0 to 4.1 bar)	GRP-96-718
	0 to 125 PSIG (0 to 8.6 bar)	GRP-96-717
Tamperproof knob kit		P31KB00AT

### WARNING

Product rupture can cause serious injury.  
 Do not connect regulator to bottled gas.  
 Do not exceed maximum primary pressure rating.

Most popular.

**CAUTION: REGULATOR PRESSURE ADJUSTMENT -**  
 The working range of knob adjustment is designed to permit outlet pressures within their full range. Pressure adjustment beyond this range is also possible because the knob is not a limiting device. This is a common characteristic of most industrial regulators, and limiting devices may be obtained only by special design. For best performance, regulated pressure should always be set by increasing the pressure up to the desired setting.



## 20R, R24 / R25, R45 / R46 Miniature Regulators

- 20R: Rugged brass body for water service
- R24 / R25, R45 / R46: Constructed with a combination of N.S.F. and F.D.A. approved materials
- Unbalanced poppet standard
- Non-rising, push-to-lock adjusting knob
- Diaphragm operated
- 20R: 1/8" & 1/4" ports (NPT & BSPP)
- R24 / R25: 1/8" & 1/4" ports (NPT & BSPP)
- R45 / R46: 1/4" & 3/8" ports (NPT & BSPP)



20R



R24 / R25



R45 / R46

### Material specifications

	20R	R25 / R45	R24 / R46
Adjusting screw	Steel	Steel	Steel
Body		Acetal	Acetal
Body, bottom plug, diaphragm button	Brass		
Bonnet & seat	Plastic	Acetal	Acetal
Diaphragm		Buna N	EPDM
Seals	Buna N	Buna N	EPDM
Springs	Steel	Stainless	Stainless
Valve poppet	Brass	Buna N	EPDM

### Operating information

	20R
Pressure rating:	0 to 300 PSIG (0 to 20.4 bar)
Secondary pressure ranges –	
Standard pressure	2 to 125 PSIG (0 to 8.6 bar)
Medium pressure	1 to 60 PSIG (0 to 4.1 bar)
Medium pressure	1 to 25 PSIG (0 to 2.1 bar)
Temperature rating:	32°F to 125°F (0°C to 52°C)
	R24 / R25, R45 / R46
Pressure rating:	0 to 150 PSIG (0 to 10 bar)
Temperature rating:	40°F to 125°F (4°C to 52°C)

### Regulators



	Port size	Pressure range	Flow	Part number (NPT)	
				Air service, relieving	Water service, non-relieving
	1/8"	25 PSIG		<b>R25-01A</b>	<b>R24-01AK</b>
	1/8"	60 PSIG		<b>R25-01B</b>	<b>R24-01BK</b>
	1/8"	125 PSIG		<b>R25-01C</b>	<b>R24-01CK</b>
	1/4"	25 PSIG		<b>R25-02A</b>	<b>R24-02AK</b>
	1/4"	60 PSIG		<b>R25-02B</b>	<b>R24-02BK</b>
	1/4"	125 PSIG		<b>R25-02C</b>	<b>R24-02CK</b>
	1/4"	25 PSIG	R45: 35 SCFM; R46: 3 GPM	<b>R45-02A</b>	<b>R46-02AK</b>
	1/4"	60 PSIG	R45: 35 SCFM; R46: 3 GPM	<b>R45-02B</b>	<b>R46-02BK</b>
	1/4"	125 PSIG	R45: 35 SCFM; R46: 3 GPM	<b>R45-02C</b>	<b>R46-02CK</b>
	3/8"	25 PSIG	R45: 35 SCFM; R46: 3 GPM	<b>R45-03A</b>	<b>R46-03AK</b>
	3/8"	60 PSIG	R45: 35 SCFM; R46: 3 GPM	<b>R45-03B</b>	<b>R46-03BK</b>
	3/8"	125 PSIG	R45: 35 SCFM; R46: 3 GPM	<b>R45-03C</b>	<b>R46-03CK</b>
				<b>Water service, relieving</b>	<b>Water service, non-relieving</b>
	1/8"	25 PSIG	1.25 GPM	<b>20R011FC</b>	<b>20R011GC</b>
	1/8"	60 PSIG	1.25 GPM	<b>20R061FC</b>	<b>20R061GC</b>
	1/8"	125 PSIG	1.25 GPM	<b>20R013FC</b>	<b>20R013GC</b>
	1/4"	25 PSIG	1.25 GPM	<b>20R111FC</b>	<b>20R111GC</b>
	1/4"	60 PSIG	1.25 GPM	<b>20R161FC</b>	<b>20R161GC</b>
	1/4"	125 PSIG	1.25 GPM	<b>20R113FC</b>	<b>20R113GC</b>

NOTE: 1.25 Dia. (32mm) hole required for panel mounting.



#### WARNING

Product rupture can cause serious injury.  
 Do not connect regulator to bottled gas.  
 Do not exceed maximum primary pressure rating.

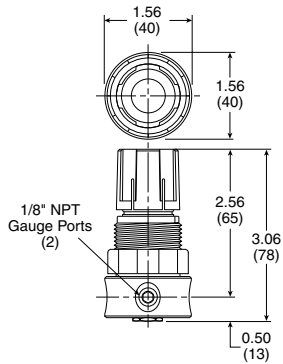
Most popular.

#### CAUTION: REGULATOR PRESSURE ADJUSTMENT –

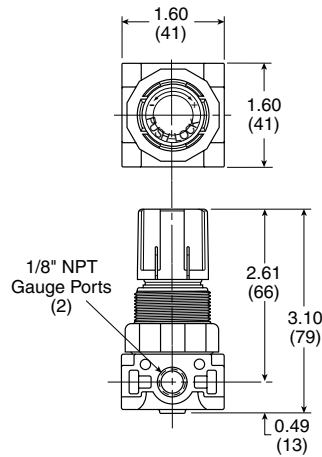
The working range of knob adjustment is designed to permit outlet pressures within their full range. Pressure adjustment beyond this range is also possible because the knob is not a limiting device. This is a common characteristic of most industrial regulators, and limiting devices may be obtained only by special design. For best performance, regulated pressure should always be set by increasing the pressure up to the desired setting.



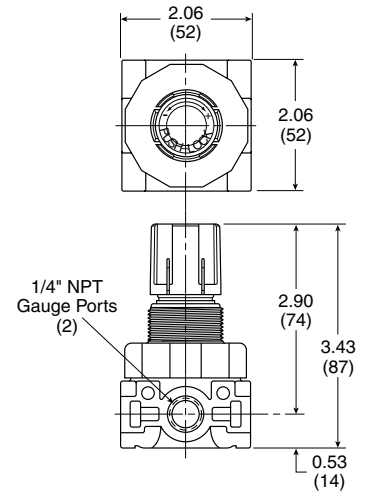
**20R**



**R24/R25**



**R45/R46**



**Service kits**

Description	20R	R24	R25	R45	R46
Bonnet kit	<b>PCKR364Y</b>				
Bonnet tamperproof kit	<b>PCKR364T</b>				
Mounting bracket kit (includes panel mount nut)	<b>SA161X57</b>	<b>SA161X57</b>	<b>SA161X57</b>	<b>SA161X57</b>	<b>SA161X57</b>
Panel mount nuts – Plastic	<b>R05X51-P</b>	<b>R05X51-P</b>	<b>R05X51-P</b>	<b>R05X51-P</b>	<b>R05X51-P</b>
Aluminum	<b>R05X51-A</b>	<b>R05X51-A</b>	<b>R05X51-A</b>	<b>R05X51-A</b>	<b>R05X51-A</b>
Repair kits – Non-relieving	<b>PRKR163Y</b>	<b>RKR24KY</b>	<b>RKR25KY</b>	<b>RKR45KY</b>	<b>RKR45KY</b>
Relieving	<b>PRKR164Y</b>	<b>RKR24Y</b>	<b>RKR25Y</b>	<b>RKR45Y</b>	<b>RKR45Y</b>
Springs – 0 to 25 PSIG (0 to 1.7 bar)		<b>SPR-375-1</b>	<b>SPR-375-1</b>	<b>SPR-46</b>	<b>SPR-46</b>
0 to 60 PSIG (0 to 4.1 bar)		<b>SPR-376</b>	<b>SPR-376</b>	<b>SPR-47</b>	<b>SPR-47</b>
0 to 125 PSIG (0 to 8.6 bar)		<b>SPR-377</b>	<b>SPR-377</b>	<b>SPR-48</b>	<b>SPR-48</b>

Most popular.



Air Preparation Products

Global

Prep-Air II

Miniature

P3N

General Industrial

Stainless Steel

Precision / Proportional

Bulk Liquid Separators



## 14E, B34 Miniature Filter / Regulators

### 14E

- Excellent water removal efficiency
- Unbalanced poppet standard
- Solid control piston for extended life
- Space saving package offers both filter and regulator features in one integral unit
- Non-rising adjustment knob
- Two full flow 1/8" gauge ports

### B34

- Excellent water removal efficiency diaphragm operated for fast operation
- Large diaphragm to valve area for precise regulation and high flow capacity
- Balanced valve design for precise regulation
- Space saving package offers both filter and regulator features in one integral unit
- Non-rising adjustment knob



14E

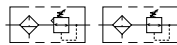




B34

### Operating information

	14E	B34
Pressure rating – Polycarbonate bowl Metal bowl	0 to 150 PSIG (0 to 10.3 bar) 0 to 250 PSIG (0 to 17.2 bar)	0 to 150 PSIG (0 to 10.3 bar) 0 to 300 PSIG (0 to 17.2 bar)
Secondary pressure ranges:	Standard pressure 2 to 125 PSIG (0 to 8.6 bar) Medium pressure 1 to 30 PSIG (0 to 2.1 bar) Medium pressure 1 to 60 PSIG (0 to 4.1 bar) Low pressure 1 to 15 PSIG (0 to 1 bar)	Reduced pressure ranges 0 to 25 PSIG (0 to 1.7 bar) 1 to 60 PSIG (0 to 4.1 bar) 2 to 125 PSIG (0.15 to 8.5 bar)
Temperature rating – Polycarbonate bowl Metal bowl	32°F to 125°F (0°C to 52°C) 32°F to 175°F (0°C to 80°C)	40°F to 125°F (4.4°C to 52°C) 40°F to 125°F (4.4°C to 52°C)

### Miniature Filter / Regulators



	Port size	Bowl type	Drain type	Flow SCFM	Element type	Part number (NPT)		
						Pressure range		
						30 PSIG	60 PSIG	125 PSIG
	1/8"	Poly	Twist	16	5 micron	<b>14E01B10FC</b>	<b>14E01B11FC</b>	<b>14E01B13FC</b>
	1/8"	Poly	Auto pulse	16	5 micron	<b>14E05B10FC</b>	<b>14E05B11FC</b>	<b>14E05B13FC</b>
	1/8"	Metal	Twist	16	5 micron	<b>14E03B10FC</b>	<b>14E03B11FC</b>	<b>14E03B13FC</b>
	1/8"	Metal	Auto pulse	16	5 micron	<b>14E07B10FC</b>	<b>14E07B11FC</b>	<b>14E07B13FC</b>
	1/4"	Poly	Twist	18	5 micron	<b>14E11B10FC</b>	<b>14E11B11FC</b>	<b>14E11B13FC</b>
	1/4"	Poly	Auto pulse	18	5 micron	<b>14E15B10FC</b>	<b>14E15B11FC</b>	<b>14E15B13FC</b>
	1/4"	Metal	Twist	18	5 micron	<b>14E13B10FC</b>	<b>14E13B11FC</b>	<b>14E13B13FC</b>
	1/4"	Metal	Auto pulse	18	5 micron	<b>14E17B10FC</b>	<b>14E17B11FC</b>	<b>14E17B13FC</b>
	1/8"	Poly	Twist	17	5 micron			<b>B344-01AGC</b>
	1/8"	Metal	Twist	17	5 micron			<b>B344-01DGC</b>
	1/4"	Poly	Twist	19	5 micron			<b>B344-02AGC</b>
	1/4"	Metal	Twist	19	5 micron			<b>B344-02DGC</b>

#### WARNING

Product rupture can cause serious injury.  
 Do not connect regulator to bottled gas.  
 Do not exceed maximum primary pressure rating.

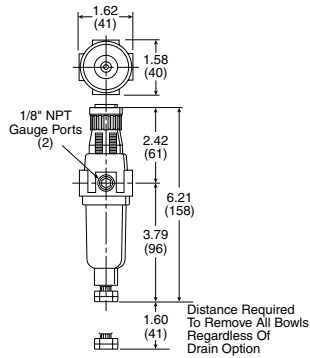
#### CAUTION: REGULATOR PRESSURE ADJUSTMENT –

The working range of knob adjustment is designed to permit outlet pressures within their full range. Pressure adjustment beyond this range is also possible because the knob is not a limiting device. This is a common characteristic of most industrial regulators, and limiting devices may be obtained only by special design. For best performance, regulated pressure should always be set by increasing the pressure up to the desired setting.

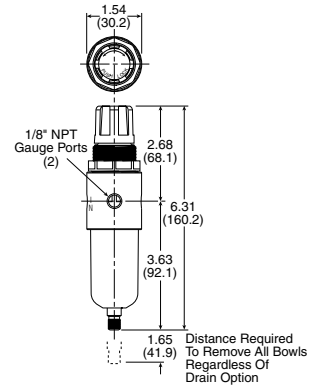
 Most popular.



**14E**



**B34**



**Material specifications**

Description	14E (Mini)	B34
Adjusting nut	Brass	
Adjusting stem & spring	Steel	
Body	Zinc	Aluminum
Bonnet, knob, seat, piston, holder & deflector	Plastic	
Bowls	Transparent Metal	Polycarbonate Zinc
Drains	Manual – twist Automatic – pulse	Body & stem Seals Piston & seals Stem, seat, adapter & washers
Elastomers		Buna N
Filter elements	5 Micron (standard) 40 Micron (optional) Adsorber (optional)	Plastic Plastic Activated charcoal
Filter retainer, vane plate		Acetal
Innervolve, diaphragm, button, drain		Brass
Seals	Nitrile	

**Service kits**

Adjusting knob		<b>RRP-16-005-000</b>
Bonnet tamperproof kit	<b>P01265</b>	
Bowl kits	Poly bowl – Automatic pulse drain Twist drain	<b>PS408BP</b> <b>PS404P</b>
	Metal bowl – Automatic drain Twist drain	<b>PS451BP</b> <b>PS447BP</b>
Drain kits	Automatic pulse drain	<b>RK504SY</b>
Filter element kits –	5 Micron 40 Micron Adsorber	<b>PS403P</b> <b>PS401P</b> <b>PS452P</b>
Gauges –	30 PSIG (0 to 2.1 bar) 60 PSIG (0 to 4.1 bar) 160 PSIG (0 to 11.0 bar)	<b>K4515N18030</b> <b>K4515N18060</b> <b>K4515N18160</b>
Mounting bracket kit* (includes panel mount nut)	<b>PS417BP</b>	<b>SA161X57</b>
Panel mount nuts –	Plastic Aluminum	<b>P78652</b> <b>R05X51-P</b> <b>R05X51-A</b>
Poppet / piston kits –	Unbalanced, non-relieving Unbalanced, relieving	<b>PS428P</b> <b>PS426P</b>
Repair kits –	Non-relieving, diaphragm, valve assembly Relieving, diaphragm, valve assembly	<b>GRP-96-726</b> <b>GRP-96-725</b>
Springs –	15 PSIG 30 PSIG 60 PSIG 125 PSIG	<b>P01176</b> (yellow) <b>P01175</b> (black) <b>P01174</b> (white) <b>P01173</b> (gold)
		<b>GRP-95-111</b> <b>GRP-96-718 (black)</b> <b>GRP-96-717</b>

Most popular.



Air Preparation Products

Global

Prep-Air II

Miniature

P3N

General Industrial

Stainless Steel

Precision / Proportional

Bulk Liquid Separators



## 04L Miniature Mist Lubricators

- Proportional oil delivery over a wide range of air flows
- Precision needle valve assures repeatable oil delivery and provides simple adjustment of delivery rate
- Ideal for low and high flow applications with changing air flow
- Transparent sight dome for 360° visibility



### Material specifications

Body		Zinc
Bowls	Transparent	Polycarbonate
	Metal	Zinc
Drains		Plastic
Seals		Nitrile
Sight Dome		Polycarbonate

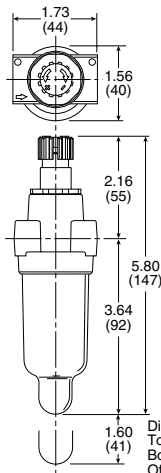
### Operating information

Pressure ratings –	
Polycarbonate bowl	0 to 150 PSIG (0 to 10.3 bar)
Metal bowl	0 to 250 PSIG (0 to 17.2 bar)
Temperature rating –	
Polycarbonate bowl	32°F to 125°F (0°C to 52°C)
Metal bowl	32°F to 175°F (0°C to 80°C)
Minimum flow for lubrication:	0.5 SCFM at 100 PSIG

### 04L Miniature Lubricators



Port size	Bowl type	Drain type	Flow SCFM	Part number (NPT)
1/8"	Poly	None	20	<b>04L00GB</b>
1/8"	Metal without sight gauge	Twist	20	<b>04L03GB</b>
1/4"	Poly	None	20	<b>04L10GB</b>
1/4"	Metal without sight gauge	Twist	20	<b>04L13GB</b>



### Service kits

			04L (Mini)
Bowl kits	Poly bowl	No drain	<b>PS421P</b>
		Twist drain	<b>PS420P</b>
	Metal bowl	Twist drain	<b>PS447BP</b>
Mounting bracket kit			<b>PS419</b>
Oil	1 Quart		<b>F442001</b>
	12 Quart case		<b>F442003</b>
	4 Gallon case		<b>F442005</b>

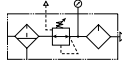
## Miniature Close Nipped Combinations



### Close Nipped Combinations – 14 Miniature Series

- Regulator can be mounted with knob in up or down position
- 5 micron filter element standard, 40 micron optional
- Manual twist drain
- Relieving regulator

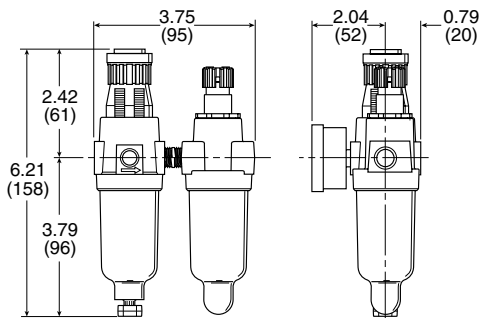


### Close Nipped Combinations

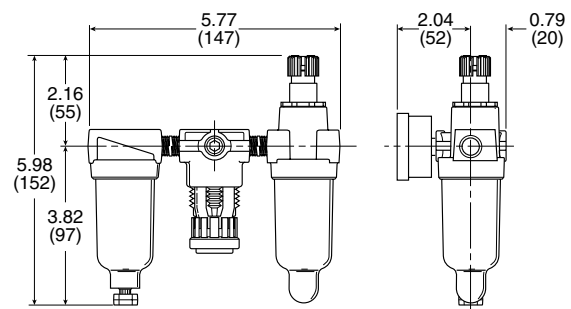


	Port size	Bowl type	Element type	Filter drain type	Relief type	Lubricator drain type	Part number (NPT)
14G 	1/8"	Poly	5 micron	Twist	Relieving	None	<b>14G01B13F0GD</b>
	1/4"	Poly	5 micron	Twist	Relieving	None	<b>14G11B13F0GD</b>
14A 	1/8"	Poly	5 micron	Twist	Relieving	None	<b>14A01B13F0GF</b>
	1/4"	Poly	5 micron	Twist	Relieving	None	<b>14A11B13F0GF</b>

#### 14G (Close nipped 2-unit)



#### 14A (Close nipped 3-unit)



#### Service kits

Mounting bracket kits –	14E, 14F, 14R	<b>PS417BP</b>
	04L	<b>PS419</b>

**WARNING**  
 Product rupture can cause serious injury.  
 Do not connect regulator to bottled gas.  
 Do not exceed maximum primary pressure rating.

**CAUTION:**  
**REGULATOR PRESSURE ADJUSTMENT –**  
 The working range of knob adjustment is designed to permit outlet pressures within their full range. Pressure adjustment beyond this range is also possible because the knob is not a limiting device. This is a common characteristic of most industrial regulators, and limiting devices may be obtained only by special design. For best performance, regulated pressure should always be set by increasing the pressure up to the desired setting.

 Most popular.