

D
Valve Products

Valve Products

Direct Acting Valves

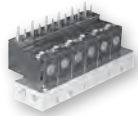
XM Series - Direct Acting



D4

- Inline or stacking
- 1/8 inch ports
- Pressures 0 to 125 PSIG
- Temperatures 32°F to 125°F
- Flow - .15 Cv

15mm Series - Direct Acting



D8

- Subbase or manifold
- 1/8 inch ports
- Pressures VAC to 145 PSIG
- Temperatures 5°F to 140°F
- Flow - .033 to .05 Cv

Inline Valves

Viking Lite Series - Inline



D11

- Inline or bar manifold
- 1/8 through 3/8 inch ports
- Pressures 22 to 145 PSIG
- Temperatures 14°F to 122°F
- Flow - .6 to 2.5 Cv

Viking Xtreme Series - Inline



D19

- Inline or bar manifold
- 1/8 through 1/2 inch ports
- Pressures VAC to 232 PSIG
- Temperatures -40°F to 140°F
- Flow - .7 to 2.7 Cv

B Series - Inline



D43

- Inline, subbase or bar manifold
- 1/8 through 3/4 inch ports
- Pressures VAC to 145 PSIG
- Temperatures 5°F to 120°F
- Flow - .75 to 7.0 Cv

ADEX Series - Inline



D68

- Inline, subbase or bar manifold
- M3, M5, 1/8 inch ports
- Pressures VAC to 100 PSIG
- Temperatures 32°F to 122°F
- Flow - .1 to .47 Cv

Inline – continued

N Series - Inline Poppet



D78

- Inline mounted
- 3/8 through 1-1/2 inch ports
- Pressures 30 to 250 PSIG
- Temperatures 0°F to 200°F
- Flow - 3.6 to 29.9 Cv

Subbase & Manifold Valves

Moduflex Series Valves



D89

- Inline or stacking
- 4mm tube, 1/4, 3/8 inch ports
- Pressures VAC to 120 PSIG
- Temperatures 5°F to 140°F
- Flow - .18 to .80 Cv

Isys Micro Series



D113

- Subbase or manifold
- 4mm through 1/4 tube
- Pressures VAC to 145 PSIG
- Temperatures 5°F to 120°F
- Flow - .35 Cv

Isys ISO Series



D124

- Subbase or manifold
- 1/8 through 3/4 inch ports
- Pressures VAC to 145 PSIG
- Temperatures 5°F to 120°F
- Flow - .55 to 6.0 Cv

Fieldbus Series

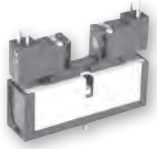


D166

- Fieldbus interface for Isys and Moduflex valves
- Up to 256 inputs
- Up to 256 outputs
- Digital or analog

Subbase & Manifold – continued


DX ISOMAX Series



- Subbase or manifold
- 1/8 through 3/4 inch ports
- Pressures VAC to 145 PSIG
- Temperatures 14°F to 140°F
- Flow - .55 to 4.15 Cv

D185

Valvair II Series

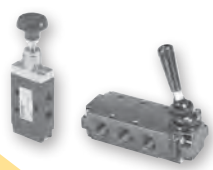


- Subbase or manifold
- 3/8 through 1-1/2 inch ports
- Pressures VAC to 225 PSIG
- Temperatures 0°F to 200°F
- Flow - 1.9 to 12.0 Cv

D198

Manual / Mechanical Valves


Directair 2 & 4



- Manual / mechanical
- 1/8 and 1/4 inch ports
- Pressures VAC to 150 PSIG
- Temperatures 32°F to 175°F
- Flow - .20 to .84 Cv

D208


Viking Xtreme



- Manual / mechanical
- 1/8, 1/4 and 3/8 inch ports
- Pressures:
Type A & B - VAC to 232 PSIG
Type C & D - VAC to 174 Psig
- Temperatures -40°F to 140°F
- Flow - .5 to 2.7 Cv

D218

42 Series




- Manual / mechanical
- 1/4 and 3/8 inch ports
- Pressures VAC to 150 PSIG
- Temperatures 0°F to 140°F
- Flow - 1.3 to 2.9 Cv

D225

Manual / Mechanical – continued


M0 Series



- Air Pilot, Manual / mechanical
- 1/4 and 1 inch ports
- Pressures VAC to 225 PSIG
- Temperatures -15°F to 200°F
- Flow - .5 to 1.25 Cv

D227


LV / EZ Lockout Valves



- Port sizes 3/8 through 1-1/4 inch
- Max. supply pressure 300 PSIG
- Max. operating temperature 175°F
- Cv from 3.7 to 14

D231

Brass Poppet, Sliding Seal




- 4-way, 3-position rotary disc, direct air operated valves
- Pressures 0 to 150 PSIG
- Temperatures 18°F to 200°F
- Flow - 2.5 to 6.2 Cv

D233

Valve Accessories


Control Panel Products



- A wide variety of push buttons and selector switches
- Visual indicators
- Foot pedal switches
- Modular pneumatic / electric push buttons

D236

Sensing / Limit Switches



- Limit switches in a variety of sizes and configurations
- Pressure switches with many adjustable ranges
- Components designed specifically for pneumatic technology using pressure variation, air bleen or blocking for detection

D240

Viking Lite Series

The Viking Lite valve range is robust, versatile and combines a large flow capacity with short change-over times, designer may choose 1/8, 1/4 or 3/8 port sizes along with 24VDC and 120VAC voltage options. Viking Lite valves are fitted with dynamic bi-directional spool seals suitable for pressures up to 10 bar and ambient temperatures between -10°C to + 50°C. When in service, radial expansion of the spool seal occurs to maintain sealing contact with the valve bore. This sealing method reduces friction and produces a lower required pilot pressure. Valves do not require lubrication in operation but they can also be installed in systems that are lubricated.

Ports

- P2LAZ: 1/8 inch NPT & BSPP, Cv = 0.6
- P2LBZ: 1/4 inch NPT & BSPP, Cv = 1.5
- P2LCZ: 3/8 inch NPT & BSPP, Cv = 2.5

Mounting

- Inline
- IEM aluminum bar

Solenoids

- 2.5 watts
- 22mm, 3-pin (DIN 43650)
- 24VDC and 120VAC

• Certification / approval

- IP65 Rated, RoHS, CE

Materials

| | |
|------------------------------|-------------------------------------|
| Valve body | Anodized aluminium |
| End covers | Anodized aluminium |
| Spool | Aluminium |
| Piston | Acetal plastic / Anodized aluminium |
| End cover sealings | Nitrile rubber |
| End cover screws | Zinc plated steel |
| Springs | Stainless steel |
| Mounting screws for solenoid | Stainless steel |
| Spool seals | Nitrile |

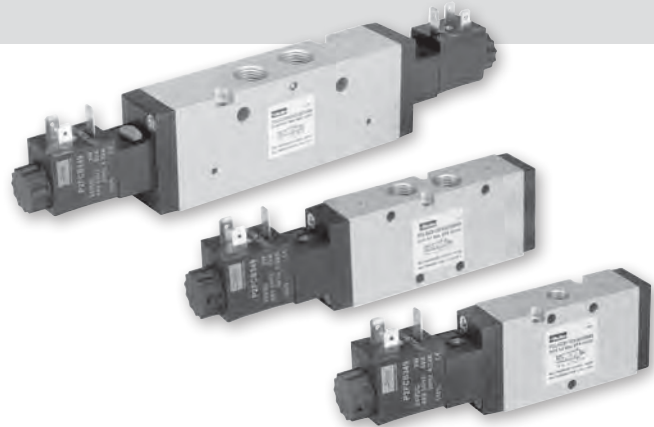
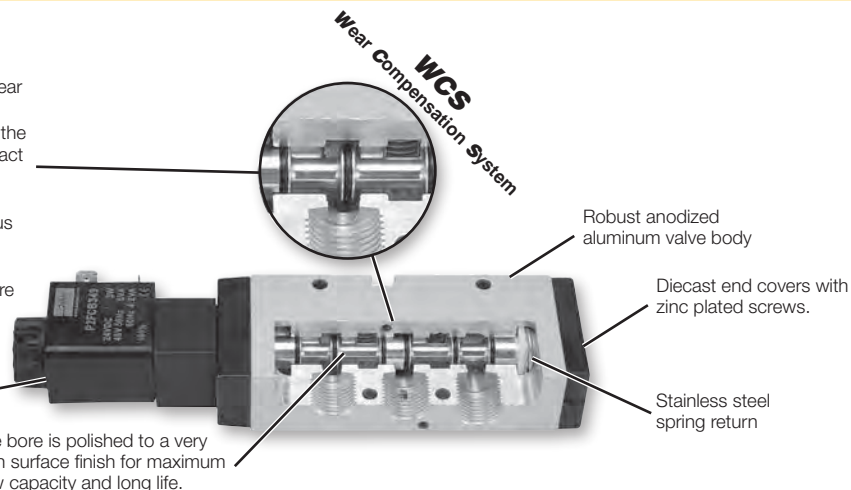
Features

WCS

- Maximum Performance
 - Low friction - fast response - less wear
- Long Cycle Life
 - Under pressure, radial expansion of the seal occurs to maintain sealing contact with the valve bore
- Non-Lube Service
 - No lubrication required for continuous valve shifting
- Bi-Directional Spool Seals
 - Common spool used for any pressure

- Solenoid operated, IP65, RoHS, CE
- 90° rotation

The bore is polished to a very high surface finish for maximum flow capacity and long life.



Operating information

Operating pressure: 145 PSIG (10 bar)
 Minimum: See chart
 Operating temperature: 14°F to 122°F (-10°C to 50°C)

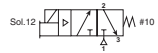
Minimum operating pressure, PSIG (bar)

| Valve type - Internal pilot | P2LAZ | P2LBZ | P2LCZ |
|--|------------|------------|------------|
| Single solenoid - spring return | 43.5 (3.0) | 43.5 (3.0) | 43.5 (3.0) |
| Double solenoid - 2-position | 22 (1.5) | 22 (1.5) | 22 (1.5) |
| Double solenoid - 3-position (APB, PC, CE) | 43.5 (3.0) | 43.5 (3.0) | 43.5 (3.0) |

Recommended air quality for valves

For best possible service life and trouble free operation, ISO 8573-1 quality class 3.4.3 should be used. This means 5µm filter (standard filter) dew point +3°C for indoor operation (a lower dew point should be selected for outdoor operation) and oil concentration 1.0 mg oil/m³, which is what a standard compressor with a standard filter gives.

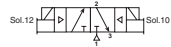
3/2 - 2 Position Single Solenoid



P2LAZ Shown

| Port size | Cv | Response time (msec) | Weight lb (kg) | Voltage | Part number (NPT) | Part number (BSPP) |
|-----------|-----|----------------------|----------------|---------|-------------------------|-------------------------|
| 1/8 | 0.6 | 15 / 35 | 0.35 (0.16) | 24VDC | P2LAZ391ESNDBB49 | P2LAZ311ESNDBB49 |
| | | | | 120VAC | P2LAZ391ESNDBB53 | P2LAZ311ESNDBB53 |
| 1/4 | 1.5 | 18 / 45 | 0.35 (0.16) | 24VDC | P2LBZ392ESNDBB49 | P2LBZ312ESNDBB49 |
| | | | | 120VAC | P2LBZ392ESNDBB53 | P2LBZ312ESNDBB53 |
| 3/8 | 2.5 | 27 / 45 | 0.77 (0.35) | 24VDC | P2LCZ393ESNDBB49 | P2LCZ313ESNDBB49 |
| | | | | 120VAC | P2LCZ393ESNDBB53 | P2LCZ313ESNDBB53 |

3/2 - 2 Position Double Solenoid



P2LAZ Shown

| Port size | Cv | Response time (msec) | Weight lb (kg) | Voltage | Part number (NPT) | Part number (BSPP) |
|-----------|-----|----------------------|----------------|---------|-------------------------|-------------------------|
| 1/8 | 0.6 | 10 / 10 | 0.40 (0.18) | 24VDC | P2LAZ391EENDBB49 | P2LAZ311EENDBB49 |
| | | | | 120VAC | P2LAZ391EENDBB53 | P2LAZ311EENDBB53 |
| 1/4 | 1.5 | 12 / 12 | 0.40 (0.18) | 24VDC | P2LBZ392EENDBB49 | P2LBZ312EENDBB49 |
| | | | | 120VAC | P2LBZ392EENDBB53 | P2LBZ312EENDBB53 |
| 3/8 | 2.5 | 17 / 17 | 0.80 (0.36) | 24VDC | P2LCZ393EENDBB49 | P2LCZ313EENDBB49 |
| | | | | 120VAC | P2LCZ393EENDBB53 | P2LCZ313EENDBB53 |

5/2 - 2 Position Single Solenoid



P2LAZ Shown

| Port size | Cv | Response time (msec) | Weight lb (kg) | Voltage | Part number (NPT) | Part number (BSPP) |
|-----------|-----|----------------------|----------------|---------|-------------------------|-------------------------|
| 1/8 | 0.6 | 15 / 35 | .037 (0.17) | 24VDC | P2LAZ591ESNDBB49 | P2LAZ511ESNDBB49 |
| | | | | 120VAC | P2LAZ591ESNDBB53 | P2LAZ511ESNDBB53 |
| 1/4 | 1.5 | 18 / 45 | 0.44 (0.20) | 24VDC | P2LBZ592ESNDBB49 | P2LBZ512ESNDBB49 |
| | | | | 120VAC | P2LBZ592ESNDBB53 | P2LBZ512ESNDBB53 |
| 3/8 | 2.5 | 27 / 45 | 0.95 (0.43) | 24VDC | P2LCZ593ESNDBB49 | P2LCZ513ESNDBB49 |
| | | | | 120VAC | P2LCZ593ESNDBB53 | P2LCZ513ESNDBB53 |

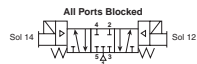
5/2 - 2 Position Double Solenoid



P2LAZ Shown

| Port size | Cv | Response time (msec) | Weight lb (kg) | Voltage | Part number (NPT) | Part number (BSPP) |
|-----------|-----|----------------------|----------------|---------|-------------------------|-------------------------|
| 1/8 | 0.6 | 10 / 10 | .042 (0.19) | 24VDC | P2LAZ591EENDBB49 | P2LAZ511EENDBB49 |
| | | | | 120VAC | P2LAZ591EENDBB53 | P2LAZ511EENDBB53 |
| 1/4 | 1.5 | 12 / 12 | 0.46 (0.21) | 24VDC | P2LBZ592EENDBB49 | P2LBZ512EENDBB49 |
| | | | | 120VAC | P2LBZ592EENDBB53 | P2LBZ512EENDBB53 |
| 3/8 | 2.5 | 17 / 17 | 0.97 (0.44) | 24VDC | P2LCZ593EENDBB49 | P2LCZ513EENDBB49 |
| | | | | 120VAC | P2LCZ593EENDBB53 | P2LCZ513EENDBB53 |

5/3 - 3 Position, All Ports Blocked



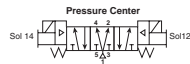
P2LAZ Shown

| Port size | Cv | Response time (msec) | Weight lb (kg) | Voltage | Part number (NPT) | Part number (BSPP) |
|-----------|-----|----------------------|----------------|---------|-------------------------|-------------------------|
| 1/8 | 0.6 | 18 / 40 | 0.57 (0.26) | 24VDC | P2LAZ691EENDBB49 | P2LAZ611EENDBB49 |
| | | | | 120VAC | P2LAZ691EENDBB53 | P2LAZ611EENDBB53 |
| 1/4 | 1.5 | 22 / 55 | 0.62 (0.28) | 24VDC | P2LBZ692EENDBB49 | P2LBZ612EENDBB49 |
| | | | | 120VAC | P2LBZ692EENDBB53 | P2LBZ612EENDBB53 |
| 3/8 | 2.5 | 30 / 90 | 1.32 (0.60) | 24VDC | P2LCZ693EENDBB49 | P2LCZ613EENDBB49 |
| | | | | 120VAC | P2LCZ693EENDBB53 | P2LCZ613EENDBB53 |

Most popular. **Notes:** Response time: Actuate to 90% pressure / return to exhaust to 10% of supply pressure. 93 PSIG (6.3 bar) / temperature 68°F (20°C)



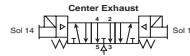
5/3 - 3 Position, Pressure Center



P2LAZ Shown

| Port size | Cv | Response time (msec) | Weight lb (kg) | Voltage | Part number (NPT) | Part number (BSPP) |
|-----------|-----|----------------------|----------------|---------|-------------------------|-------------------------|
| 1/8 | 0.6 | 18 / 40 | 0.57 (0.26) | 24VDC | P2LAZ791EENDBB49 | P2LAZ711EENDBB49 |
| | | | | 120VAC | P2LAZ791EENDBB53 | P2LAZ711EENDBB53 |
| 1/4 | 1.5 | 22 / 55 | 0.62 (0.28) | 24VDC | P2LBZ792EENDBB49 | P2LBZ712EENDBB49 |
| | | | | 120VAC | P2LBZ792EENDBB53 | P2LBZ712EENDBB53 |
| 3/8 | 2.5 | 30 / 90 | 1.32 (0.60) | 24VDC | P2LCZ793EENDBB49 | P2LCZ713EENDBB49 |
| | | | | 120VAC | P2LCZ793EENDCB53 | P2LCZ713EENDBB53 |

5/3 - 3 Position, Center Exhaust



P2LAZ Shown

| Port size | Cv | Response time (msec) | Weight lb (kg) | Voltage | Part number (NPT) | Part number (BSPP) |
|-----------|-----|----------------------|----------------|---------|-------------------------|-------------------------|
| 1/8 | 0.6 | 18 / 40 | 0.57 (0.26) | 24VDC | P2LAZ891EENDBB49 | P2LAZ811EENDBB49 |
| | | | | 120VAC | P2LAZ891EENDBB53 | P2LAZ811EENDBB53 |
| 1/4 | 1.5 | 22 / 55 | 0.62 (0.28) | 24VDC | P2LBZ892EENDBB49 | P2LBZ812EENDBB49 |
| | | | | 120VAC | P2LBZ892EENDBB53 | P2LBZ812EENDBB53 |
| 3/8 | 2.5 | 30 / 90 | 1.32 (0.60) | 24VDC | P2LCZ893EENDBB49 | P2LCZ813EENDBB49 |
| | | | | 120VAC | P2LCZ893EENDBB53 | P2LCZ813EENDBB53 |

Notes: Response time: Actuate to 90% pressure / return to exhaust to 10% of supply pressure. 93 PSIG (6.3 bar) / temperature 68°F (20°C)

Single & Double Solenoid Operated Valves

| | | | | | | | | | | | |
|------------|----------|----------|----------|-----------|----------|----------|----------|----------|----------|----------|-----------|
| P2L | A | Z | 5 | 91 | E | S | N | D | C | B | 49 |
|------------|----------|----------|----------|-----------|----------|----------|----------|----------|----------|----------|-----------|

| Valve size |
|------------|
| 1/8" A |
| 1/4" B |
| 3/8" C |

| Series |
|---------------|
| Viking Lite Z |

| Valve type / function |
|-----------------------------------|
| Internal pilot supply to solenoid |
| 3/2 NC - 2-position 3 |
| 5/2 2-position 5 |
| 5/3 3-position, APB 6 |
| 5/3 3-position, PC 7 |
| 5/3 3-position, CE 8 |

| Main port thread |
|--------------------|
| G1/8 (P2LA) 11 |
| G1/4 (P2LB) 12 |
| G3/8 (P2LC) 13 |
| 1/8" NPT (P2LA) 91 |
| 1/4" NPT (P2LB) 92 |
| 3/8" NPT (P2LC) 93 |

| Voltage / frequency |
|-----------------------|
| 49 24VDC |
| 53 120VAC |
| Blank Valve less coil |

| Enclosures / lead length |
|--|
| B 22mm rectangular 3-pin - type B industrial (male only) |
| N Valve less coil |

| Overrides |
|-----------------------|
| C Extended - locking |
| B Flush - non-locking |

| Solenoid pilot type |
|------------------------|
| D Pilot exhaust vented |

| Valve type |
|---------------------------------|
| N 14°F to 122°F (-10°C to 50°C) |

| 12 End operator |
|----------------------------------|
| E Double solenoid operated valve |
| S* Single solenoid spring return |

* Not available with 3-position valves.

Most popular.



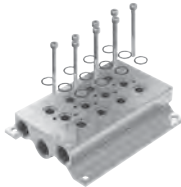
Viking Lite Series
 Viking Xtreme Series
 B Series
 ADEX Series
 N Series
 D
 Inline Valve Products

IEM Bar Manifold, Inline Valve Only*



| Valve series | Valve function | # of Stations | Weight lb (kg) | Manifold only (NPT) | Manifold only (BSPP) |
|---------------|----------------|---------------|----------------|---------------------|----------------------|
| P2LAZ / P2LBZ | 3-way | 2 | 0.84 (0.38) | 91213202SXZN | 91213202SXZ |
| P2LAZ / P2LBZ | 3-way | 4 | 1.41 (0.64) | 91213204SXZN | 91213204SXZ |
| P2LAZ / P2LBZ | 3-way | 6 | 1.96 (0.89) | 91213206SXZN | 91213206SXZ |
| P2LAZ / P2LBZ | 3-way | 8 | 2.54 (1.15) | 91213208SXZN | 91213208SXZ |
| P2LAZ / P2LBZ | 3-way | 10 | 3.09 (1.40) | 91213210SXZN | 91213210SXZ |

Kits include: Manifold, valve hold down bolts, gaskets.



| Valve series | Valve function | # of Stations | Weight lb (kg) | Manifold only (NPT) | Manifold only (BSPP) |
|--------------|----------------|---------------|----------------|---------------------|----------------------|
| P2LAZ | 4-way | 2 | 0.68 (0.31) | 9121658068N | 9121658068 |
| P2LAZ | 4-way | 4 | 1.06 (0.48) | 9121658075N | 9121658075 |
| P2LAZ | 4-way | 6 | 1.39 (0.63) | 9121658076N | 9121658076 |
| P2LAZ | 4-way | 8 | 1.76 (0.80) | 9121658077N | 9121658077 |
| P2LAZ | 4-way | 10 | 2.16 (0.98) | 9121658078N | 9121658078 |

Kits include: Manifold, valve hold down bolts, gaskets.



| Valve series | Valve function | # of Stations | Weight lb (kg) | Manifold only (NPT) | Manifold only (BSPP) |
|--------------|----------------|---------------|----------------|---------------------|----------------------|
| P2LBZ | 4-way | 2 | 1.53 (0.69) | 9121594805XN | 9121594805X |
| P2LBZ | 4-way | 4 | 2.49 (1.13) | 9121594806XN | 9121594806X |
| P2LBZ | 4-way | 6 | 3.44 (1.56) | 9121594807XN | 9121594807X |
| P2LBZ | 4-way | 8 | 4.41 (2.00) | 9121594808XN | 9121594808X |
| P2LBZ | 4-way | 10 | 5.40 (2.45) | 9121594812XN | 9121594812X |

Kits include: Manifold, valve hold down bolts, gaskets.

* For odd number of stations, consider Viking Xtreme bar manifold.

IEM Bar Manifold, Inline Valve Only



| Valve series | Valve function | # of Stations | Manifold only (NPT) | Manifold only (BSPP) |
|--------------|----------------|------------------------------------|---------------------|----------------------|
| P2LCZ | 4-way | Use Viking Xtreme IEM bar manifold | | |

Note: P2LCZ 3-way has no IEM manifold

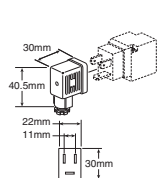
Manifold Accessories / Parts



| Valve series | Description | Weight lb (kg) | Kit number |
|-----------------|--|----------------|--------------------|
| P2LAZ / P2LBZ * | 3-way: Blanking kit with mounting screws (2) | 0.22 (0.10) | 912132BPSXZ |
| P2LAZ * | 4-way: Blanking kit with mounting screws (2) | 0.11 (0.05) | 9121658063 |
| P2LBZ * | 4-way: Blanking kit with mounting screws (2) | 0.04 (0.02) | 9121594809X |

*Note: O-ring for blanking kit included with manifold. For replacement o-rings or fastener bolts, use Viking Xtreme Kits.

22mm Rectangular 3-Pin – Type B Industrial (Use with Enclosure “B”)



| Description | Connector with 6' (2m) cord | Connector |
|-------------------|-----------------------------|-------------------|
| Unlighted | PS2429JBP | PS2429BP |
| Light – 24VDC | PS2430J79BP* | PS243079BP |
| Light – 120V/60Hz | PS2430J83BP* | PS243083BP |

* LED with surge suppression.

Note: Max ø6.5mm cable size required for connector w/o 6' (2m) cord. IP65 rated when properly installed.

Engineering data:

conductors: 2 poles plus ground; cable range (connector only): 6 to 8mm (0.24 To 0.31 Inch); contact spacing: 11mm

Most popular.

Valve Less Coil

Remove the last 3 digits of the part number of the full valve and add “N” at the end for valve less coil.



Part number example :
P2LBZ592ESNDBBB49
 valve with 24VDC solenoid
P2LBZ592ESNDBN valve less coil

Replacement Solenoid Coil



| Description | Part number |
|-----------------|-----------------|
| 24VDC coil kit | P2FCB449 |
| 110VAC coil kit | P2FCB453 |

Replacement Solenoid Nut



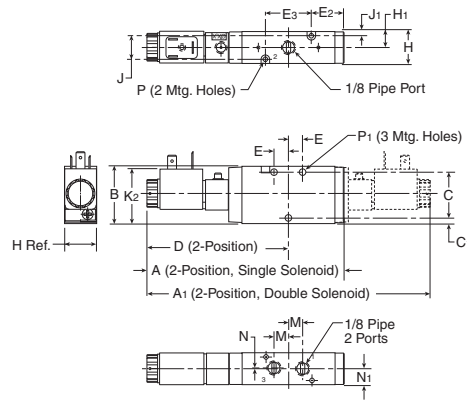
Description Solenoid diffuser nut
Part number **PS1556**



Description Solenoid vented nut
Part number **PS2892P**



P2LAZ 3/2 Single & Double Operators – Solenoid

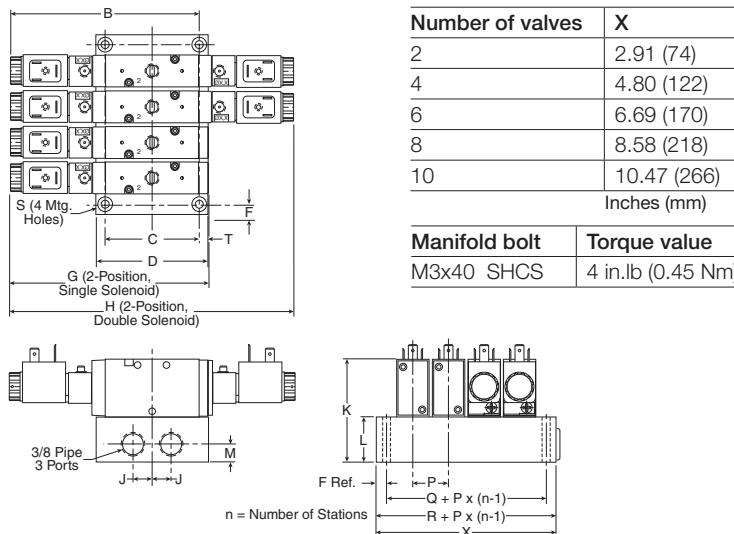


P2LAZ 3/2 (solenoid)

| | | | | |
|----------------|---------------|----------------|----------------|-------------|
| A | A1 | B | C | C1 |
| 5.35 (136) | 7.68 (195) | 1.57 (40) | 1.26 (32) | .16 (4) |
| D | E | E2 | E3 | H |
| 3.84 (97.5) | .39 (10) | .91 (23) | 1.26 (32) | .87 (22) |
| H1 | J | J1 | K2 | M |
| .43 (11) | .65 (16.5) | .11 (2.75) | 1.50 (38) | .39 (10) |
| N | N1 | P | P1 | |
| .02 (.5) | .43 (11) | Ø .12 (3.1) | Ø .17 (4.3) | |

Inches (mm)

P2LAZ 3/2 Single & Double Operators – IEM Aluminum Bar Manifold

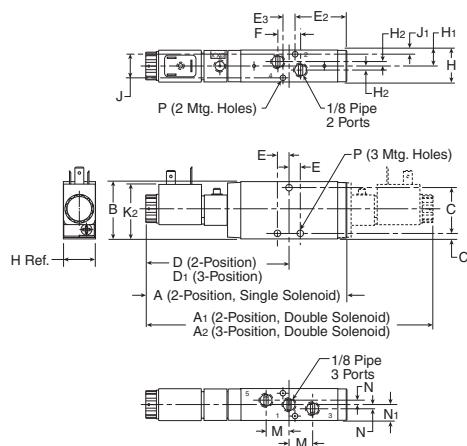


P2LAZ 3/2 IEM Aluminum bar manifold

| | | | | |
|-----------------|--------------|----------------|----------------|---------------|
| B | C | D | F | G |
| 5.06 (128.5) | 2.44 (62) | 2.99 (76) | .28 (7) | 5.35 (136) |
| H | J | K | L | M |
| 7.68 (195) | .51 (13) | 2.78 (70.5) | 1.20 (30.5) | .47 (12) |
| P | Q | R | S | T |
| .94 (24) | 1.42 (36) | 1.97 (50) | Ø .22 (5.5) | .88 (7) |

Inches (mm)

P2LAZ 5/2 & 5/3 Single & Double Operators – Solenoid

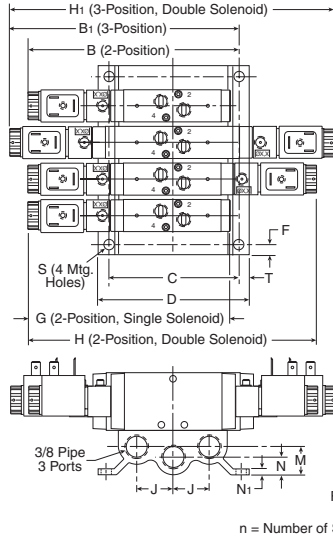


P2LAZ 5/2 & 5/3 (solenoid)

| | | | | |
|---------------|----------------|-----------------|--------------|----------------|
| A | A1 | A2 | B | C |
| 5.47 (139) | 7.76 (197) | 8.70 (221) | 1.57 (40) | 1.30 (33) |
| C1 | D | D1 | E | E2 |
| .14 (3.5) | 3.88 (98.5) | 4.35 (110.5) | .31 (8) | 1.86 (47.3) |
| E3 | F | H | H1 | H2 |
| .33 (8.5) | .63 (16) | .87 (22) | .43 (11) | .12 (3) |
| J | J1 | K2 | M | N |
| .63 (16) | .12 (3) | 1.50 (38) | .63 (16) | .12 (3) |
| N1 | P | | | |
| .43 (11) | Ø .16 (4.1) | | | |

Inches (mm)

P2LAZ 5/2 & 5/3 Single & Double Operators – IEM Aluminum Bar Manifold



| Number of valves | X |
|--------------------|-------------------|
| 2 | 3.07 (78) |
| 4 | 4.96 (126) |
| 6 | 6.85 (174) |
| 8 | 8.74 (222) |
| 10 | 10.63 (270) |
| Inches (mm) | |
| Manifold bolt | Torque value |
| M4x45 Screw MRX | 9 in.lb (0.75 Nm) |

**P2LAZ 5/2 & 5/3
IEM Aluminum bar manifold**

| B | B ₁ | C | D | F |
|-----------------|-----------------|----------------|----------------|--------------|
| 5.10 (149.5) | 6.36 (161.5) | 3.46 (88) | 4.02 (102) | .28 (7) |
| G | H | H ₁ | J | K |
| 5.47 (139) | 7.76 (197) | 8.70 (221) | .96 (24.5) | 2.76 (70) |
| L | M | N | N ₁ | P |
| 1.18 (30) | .75 (19) | .47 (12) | .16 (4) | .94 (24) |
| Q | R | S | T | |
| 1.57 (40) | 2.13 (54) | ∅.28 (7) | .28 (7) | |
| Inches (mm) | | | | |

Viking Lite
Series

Viking Xtreme
Series

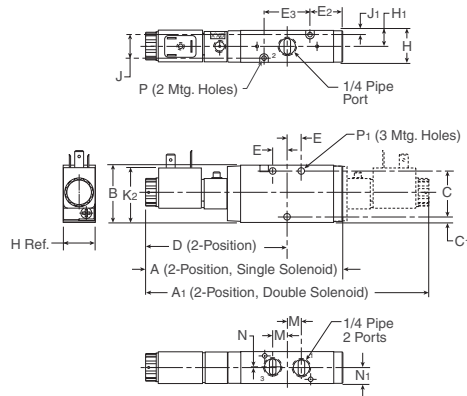
B
Series

ADEX
Series

N
Series

D
Inline
Valve Products

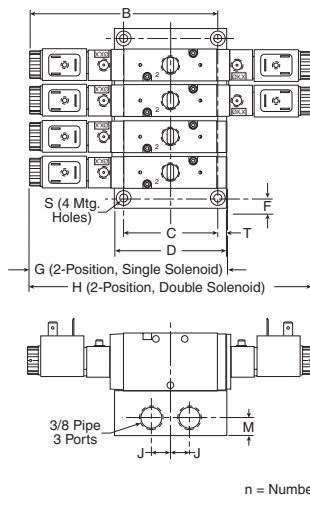
P2LBZ 3/2 Single & Double Operators – Solenoid



P2LBZ 3/2 (solenoid)

| A | A ₁ | B | C | C ₁ |
|----------------|----------------|----------------|----------------|----------------|
| 5.35 (136) | 7.68 (195) | 1.57 (40) | 1.26 (32) | .16 (4) |
| D | E | E ₂ | E ₃ | H |
| 3.84 (97.5) | .39 (10) | .91 (23) | 1.26 (32) | .87 (22) |
| H ₁ | J | J ₁ | K ₂ | M |
| .43 (11) | .65 (16.5) | .11 (2.75) | 1.50 (38) | .39 (10) |
| N | N ₁ | P | P ₁ | |
| .02 (.5) | .43 (11) | ∅.12 (3.1) | ∅.17 (4.3) | |
| Inches (mm) | | | | |

P2LBZ 3/2 Single & Double Operators – IEM Aluminum Bar Manifold



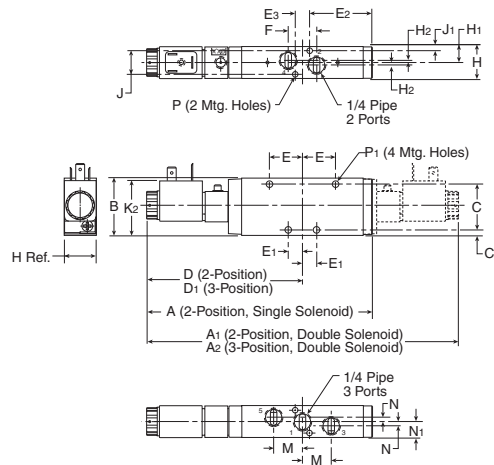
| Number of valves | X |
|------------------|-------------------|
| 2 | 2.91 (74) |
| 4 | 4.80 (122) |
| 6 | 6.69 (170) |
| 8 | 8.58 (218) |
| 10 | 10.47 (266) |
| Inches (mm) | |
| Manifold bolt | Torque value |
| M3x40 SCHS | 4 in.lb (0.45 Nm) |

**P2LBZ 3/2
IEM Aluminum bar manifold**

| B | C | D | F | G |
|-----------------|--------------|----------------|----------------|---------------|
| 5.06 (128.5) | 2.44 (62) | 2.99 (76) | .28 (7) | 5.35 (136) |
| H | J | K | L | M |
| 7.68 (195) | .51 (13) | 2.78 (70.5) | 1.20 (30.5) | .47 (12) |
| P | Q | R | S | T |
| .94 (24) | 1.42 (36) | 1.97 (50) | ∅.22 (5.5) | .88 (7) |
| Inches (mm) | | | | |



P2LBZ 5/2 & 5/3 Single & Double Operators – Solenoid

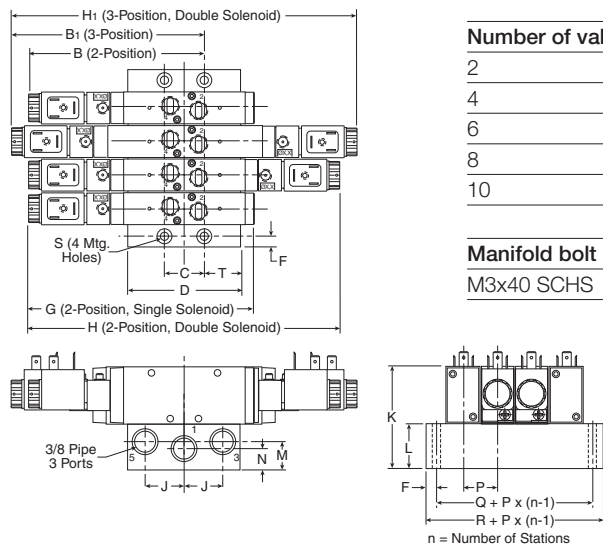


P2LBZ 5/2 & 5/3 (solenoid)

| A | A1 | A2 | B | C |
|---------------|-----------------|----------------|----------------|--------------|
| 6.14 (156) | 8.46 (215) | 9.29 (236) | 1.57 (40) | 1.26 (32) |
| C1 | D | D1 | E | E1 |
| .16 (4) | 4.23 (107.5) | 4.65 (118) | .91 (23) | .39 (10) |
| E2 | E3 | F | H | H1 |
| 1.14 (29) | .39 (10) | .79 (20) | .87 (22) | .43 (11) |
| H2 | J | J1 | K2 | M |
| .06 (1.5) | .65 (16.5) | .11 (2.8) | 1.50 (38) | .79 (20) |
| N | N1 | P | P1 | |
| .08 (2) | .43 (11) | Ø .12 (3.1) | Ø .17 (4.3) | |

Inches (mm)

P2LBZ 5/2 & 5/3 Single & Double Operators – IEM Aluminum Bar Manifold



| Number of valves | X |
|------------------|-------------|
| 2 | 2.91 (74) |
| 4 | 4.80 (122) |
| 6 | 6.69 (170) |
| 8 | 8.58 (218) |
| 10 | 10.47 (266) |

Inches (mm)

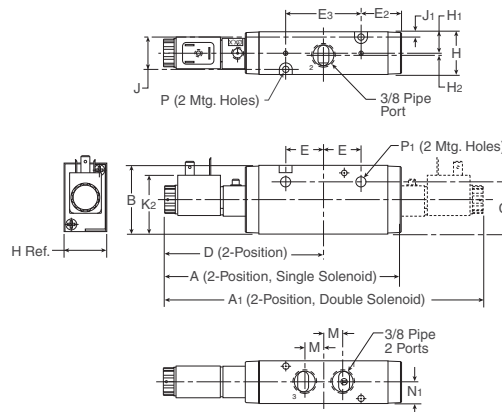
| Manifold bolt | Torque value |
|---------------|-------------------|
| M3x40 SCHS | 9 in.lb (0.75 Nm) |

P2LBZ 5/2 & 5/3 IEM Aluminum bar manifold

| B | B1 | C | D | F |
|-----------------|----------------|----------------|--------------|-----------------|
| 4.43 (112.5) | 4.84 (123) | 1.04 (26.5) | 2.99 (76) | .28 (7) |
| G | H | H1 | J | K |
| 6.14 (156) | 8.46 (215) | 9.29 (236) | 1.02 (26) | 2.781 (70.5) |
| L | M | N | P | Q |
| 1.20 (30.5) | .75 (19) | .57 (14.5) | .94 (24) | 1.57 (40) |
| R | S | T | | |
| 1.97 (50) | Ø .22 (5.5) | .97 (25) | | |

Inches (mm)

P2LCZ 3/2 Single & Double Operators – Solenoid

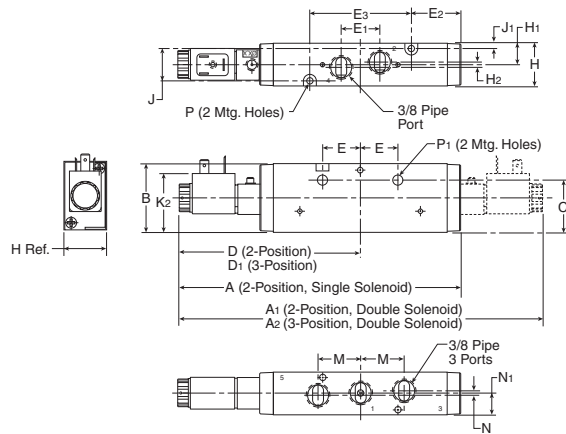


P2LCZ 3/2 (solenoid)

| A | A1 | B | C | D |
|----------------|----------------|----------------|--------------|---------------|
| 6.50 (165) | 8.66 (220) | 1.89 (48) | 1.46 (37) | 4.33 (110) |
| E | E2 | E3 | H | H1 |
| 1.04 (26.5) | 1.10 (28) | 2.09 (53) | 1.18 (30) | .59 (15) |
| H2 | J | J1 | K2 | M |
| .06 (1.55) | .91 (23) | .14 (3.5) | 1.50 (38) | .53 (13.5) |
| N1 | P | P1 | | |
| .59 (15) | Ø .17 (4.4) | Ø .27 (6.9) | | |

Inches (mm)

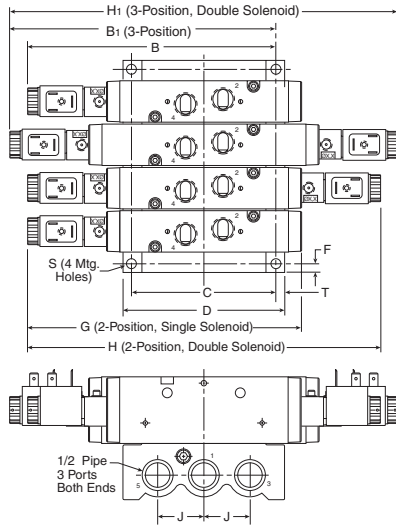
P2LCZ 5/2 & 5/3 Single & Double Operators – Solenoid



P2LBZ 5/2 & 5/3 (solenoid)

| | | | | |
|------------------|------------------|----------------|--------------|----------------|
| A | A1 | A2 | B | C |
| 7.68 (195) | 9.88 (251) | 10.70 (272) | 1.89 (48) | 1.46 (37) |
| D | D1 | E | E1 | E2 |
| 4.94 (125.5) | 5.35 (136) | 1.04 (26.5) | 1.06 (27) | 1.71 (43.5) |
| E3 | H | H1 | H2 | J |
| 2.80 (71) | 1.18 (30) | .59 (15) | .12 (.3) | .91 (23) |
| J1 | K2 | M | N | N1 |
| .14 (3.5) | 1.50 (38) | 1.18 (30) | .08 (2) | .59 (15) |
| P | P1 | | | |
| Ø .17 Ø (4.4) | Ø .27 Ø (6.9) | | | |
| Inches (mm) | | | | |

P2LCZ 5/2 & 5/3 Single & Double Operators – IEM Aluminum Bar Manifold



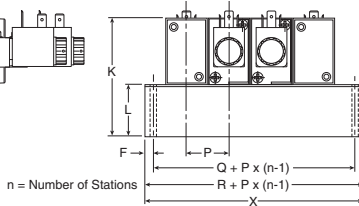
| | |
|-------------------------|-------------|
| Number of valves | X |
| 2 | 3.29 (84) |
| 4 | 5.96 (152) |
| 6 | 8.44 (215) |
| 8 | 10.93 (278) |
| 10 | 13.41 (341) |
| Inches (mm) | |

| | |
|----------------------|---------------------|
| Manifold bolt | Torque value |
| M4x50 SCHS | 15 in.lb (2.0 Nm) |

P2LCZ 5/2 & 5/3

IEM Aluminum bar manifold

| | | | | | |
|----------------|---------------|------------------|---------------|----------------|--|
| C | D | F | G | H | |
| 3.97 (101) | 4.41 (112) | .24 (6) | 7.68 (195) | 9.88 (251) | |
| H1 | J | K | L | P | |
| 10.70 (272) | 1.26 (32) | 3.43 (87) | 1.54 (39) | 1.24 (31.5) | |
| Q | R | S | T | | |
| 1.77 (45) | 2.24 (57) | Ø .26 Ø (6.5) | .24 (6) | | |
| Inches (mm) | | | | | |



Viking Lite Series
 Viking Xtreme Series
 B Series
 ADEX Series
 N Series
 D Inline Valve Products

Viking Xtreme Series

The Viking Xtreme valve range is robust, versatile and combines high performance with compact installation dimensions. Large flow capacity, short change-over times and low change-over pressure are important characteristics of this valve range.

Ports

- P2LAX: 1/8 inch NPT & BSPP
- P2LBX: 1/4 inch NPT & BSPP
- P2LCX: 3/8 inch NPT & BSPP
- P2LDX: 1/2 inch NPT & BSPP

Mounting

- Inline
- IEM aluminum bar

Solenoids

2.5 watts to 7.3 watts

- Conduit
- Grommet
- 22mm & 30mm 3-pin (DIN 43650)

- 12VDC to 240VAC

Certification / approval

- IP65 Rated, RoHS, CE
- ATEX option available

Mobile applications

- Viking Xtreme tested to +5g shock and vibration
- Solenoids operate with wide voltage tolerance bands
- Corrosion resistant design
- Passed 500 hour salt spray test

Material specifications

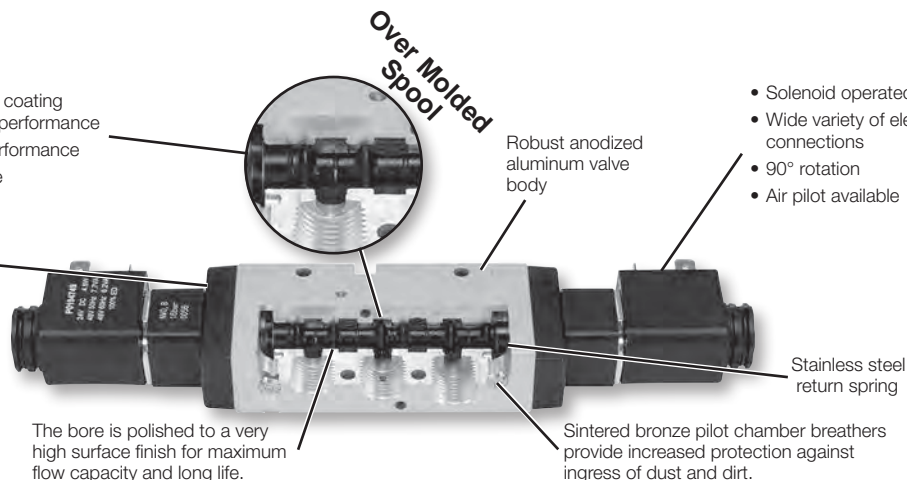
| | |
|-----------|-----------------------------|
| Body | Anodized aluminum |
| End caps | Anodized aluminum |
| Coils | Thermoplastic |
| Fasteners | Stainless steel |
| Spool | Aluminum and nitrile rubber |
| Springs | Stainless steel |

Features

Over Molded Spool

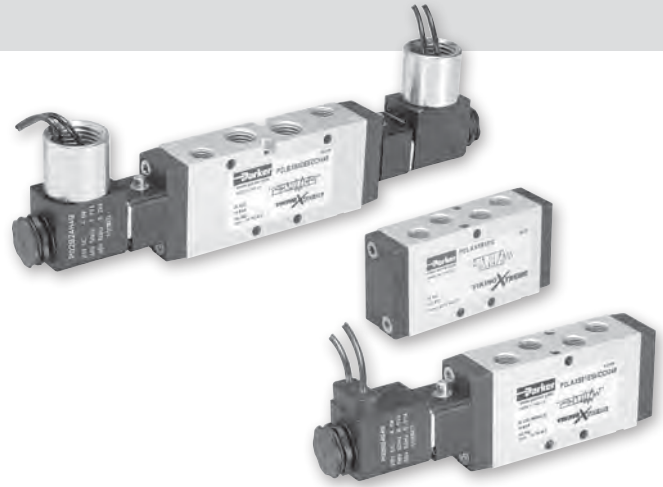
- Aluminum spool with nitrile rubber coating ground to exact size for optimum performance
- Precision ground for maximum performance
- Wide operating temperature range
 - Low temperature to -40°

Diecast end covers with stainless steel screws to resist aggressive environments.



The bore is polished to a very high surface finish for maximum flow capacity and long life.

- Solenoid operated, IP65, RoHS, CE
- Wide variety of electrical connections
- 90° rotation
- Air pilot available



Operating information

Operating pressure:

Normal: Vacuum to 145 PSIG (Vacuum to 10 bar)
 Xtreme: (P2LAX & P2LBX) Vacuum to 232 PSIG (Vacuum to 16 bar)
 (P2LCX & P2LDX) Vacuum to 174 PSIG (Vacuum to 12 bar)

Minimum: See chart

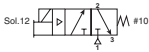


Operating temperature:

Normal: 14°F to 122°F (-10°C to 50°C)
 Xtreme: -40°F to 140°F (-40°C to 60°C)

Minimum operating pressure, PSIG (bar)

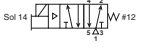


| Valve type - Internal pilot | P2LAX | P2LBX | P2LCX | P2LDX |
|--|----------|----------|----------|----------|
| Single solenoid - spring return | 46 (3.2) | 51 (3.5) | 51 (3.5) | 51 (3.5) |
| Single remote pilot - spring return | 46 (3.2) | 51 (3.5) | 51 (3.5) | 51 (3.5) |
| Double solenoid - 2-position | 22 (1.5) | 22 (1.5) | 22 (1.5) | 22 (1.5) |
| Double remote pilot - 2-position | 22 (1.5) | 22 (1.5) | 22 (1.5) | 22 (1.5) |
| Double solenoid - 3-position (APB, PC, CE) | 51 (3.5) | 51 (3.5) | 51 (3.5) | 51 (3.5) |
| Double remote pilot - 3-position (APB, PC, CE) | 51 (3.5) | 51 (3.5) | 51 (3.5) | 51 (3.5) |

Single Solenoid, 3-way, 2-position, Normal Operating Pressure / Temperature

| | Solenoid | Port size (NPT) | Cv | Valve type | Response time (msec) | Weight lb (kg) | Voltage | Part number |
|--|-------------|-----------------|---------|-------------|----------------------|--------------------------|---------|--------------------------|
|   P2LAX 22mm DIN Shown | 22mm DIN | 1/8" | 0.7 | P2LAX | 18 / 40 | 0.84 (0.38) | 24VDC | P2LAX391ESNDDDB49 |
| | | | | | | | 120VAC | P2LAX391ESNDDDB53 |
| | | 1/4" | 1.3 | P2LBX | 18 / 45 | 0.84 (0.38) | 24VDC | P2LBX392ESNDDDB49 |
| | | | | | | | 120VAC | P2LBX392ESNDDDB53 |
| | | 3/8" | 2.5 | P2LCX | 25 / 75 | 1.72 (0.78) | 24VDC | P2LCX393ESNDDDB49 |
| | | | | | | | 120VAC | P2LCX393ESNDDDB53 |
| 1/2" | 2.7 | P2LDX | 25 / 75 | 1.72 (0.78) | 24VDC | P2LDX394ESNDDDB49 | | |
| | | | | | 120VAC | P2LDX394ESNDDDB53 | | |
|  P2LAX 18" Grommet Shown | 18" Grommet | 1/8" | 0.7 | P2LAX | 18 / 40 | 0.84 (0.38) | 24VDC | P2LAX391ESNDDG49 |
| | | | | | | | 120VAC | P2LAX391ESNDDG53 |
| | | 1/4" | 1.3 | P2LBX | 18 / 45 | 0.84 (0.38) | 24VDC | P2LBX392ESNDDG49 |
| | | | | | | | 120VAC | P2LBX392ESNDDG53 |
| | | 3/8" | 2.5 | P2LCX | 25 / 75 | 1.72 (0.78) | 24VDC | P2LCX393ESNDDG49 |
| | | | | | | | 120VAC | P2LCX393ESNDDG53 |
| 1/2" | 2.7 | P2LDX | 25 / 75 | 1.72 (0.78) | 24VDC | P2LDX394ESNDDG49 | | |
| | | | | | 120VAC | P2LDX394ESNDDG53 | | |

Notes: Above valves are rated for an operating temperature from 14°F to 122°F (-10°C to 50°C). See model code matrix for additional options.
 Response time: Actuate to 90% pressure / return to exhaust to 10% of supply pressure. 93 PSIG (6.3 bar) / temperature 68°F (20°C).

Single Solenoid, 4-way, 2-position, Normal Operating Pressure / Temperature




| | Solenoid | Port size (NPT) | Cv | Valve type | Response time (msec) | Weight lb (kg) | Voltage | Part number |
|--|-------------|-----------------|---------|-------------|----------------------|--------------------------|---------|--------------------------|
|   P2LBX 22mm DIN Shown | 22mm DIN | 1/8" | 0.7 | P2LAX | 15 / 35 | 0.49 (0.22) | 24VDC | P2LAX591ESNDDDB49 |
| | | | | | | | 120VAC | P2LAX591ESNDDDB53 |
| | | 1/4" | 1.3 | P2LBX | 18 / 45 | 0.84 (0.38) | 24VDC | P2LBX592ESNDDDB49 |
| | | | | | | | 120VAC | P2LBX592ESNDDDB53 |
| | | 3/8" | 2.5 | P2LCX | 27 / 75 | 1.68 (0.76) | 24VDC | P2LCX593ESNDDDB49 |
| | | | | | | | 120VAC | P2LCX593ESNDDDB53 |
| 1/2" | 2.7 | P2LDX | 25 / 75 | 1.68 (0.76) | 24VDC | P2LDX594ESNDDDB49 | | |
| | | | | | 120VAC | P2LDX594ESNDDDB53 | | |
|  P2LAX 18" Grommet Shown | 18" Grommet | 1/8" | 0.7 | P2LAX | 15 / 35 | 0.49 (0.22) | 24VDC | P2LAX591ESNDDG49 |
| | | | | | | | 120VAC | P2LAX591ESNDDG53 |
| | | 1/4" | 1.3 | P2LBX | 18 / 45 | 0.84 (0.38) | 24VDC | P2LBX592ESNDDG49 |
| | | | | | | | 120VAC | P2LBX592ESNDDG53 |
| | | 3/8" | 2.5 | P2LCX | 27 / 75 | 1.68 (0.76) | 24VDC | P2LCX593ESNDDG49 |
| | | | | | | | 120VAC | P2LCX593ESNDDG53 |
| 1/2" | 2.7 | P2LDX | 25 / 75 | 1.68 (0.76) | 24VDC | P2LDX594ESNDDG49 | | |
| | | | | | 120VAC | P2LDX594ESNDDG53 | | |

Notes: Above valves are rated for an operating temperature from 14°F to 122°F (-10°C to 50°C). See model code matrix for additional options.
 Response time: Actuate to 90% pressure / return to exhaust to 10% of supply pressure. 93 PSIG (6.3 bar) / temperature 68°F (20°C).

 Most popular.

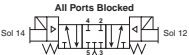
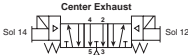



Double Solenoid, 4-way, 2-position, Normal Operating Pressure / Temperature

| Solenoid | Port size (NPT) | Cv | Valve type | Response time (msec) | Weight lb (kg) | Voltage | Part number |
|--|-----------------|-----|------------|----------------------|----------------|-----------------|--|
|   22mm DIN P2LBX 22mm DIN Shown | 1/8" | 0.7 | P2LAX | 10 / 10 | 0.60 (0.27) | 24VDC 120VAC | P2LAX591EENDDDB49 P2LAX591EENDDDB53 |
| | 1/4" | 1.3 | P2LBX | 12 / 12 | 0.93 (0.42) | 24VDC 120VAC | P2LBX592EENDDDB49 P2LBX592EENDDDB53 |
| | 3/8" | 2.5 | P2LCX | 17 / 17 | 1.78 (0.81) | 24VDC 120VAC | P2LCX593EENDDDB49 P2LCX593EENDDDB53 |
| | 1/2" | 2.7 | P2LDX | 17 / 17 | 1.78 (0.81) | 24VDC 120VAC | P2LDX594EENDDDB49 P2LDX594EENDDDB53 |
| | 1/8" | 0.7 | P2LAX | 10 / 10 | 0.60 (0.27) | 24VDC 120VAC | P2LAX591EENDDG49 P2LAX591EENDDG53 |
| | 1/4" | 1.3 | P2LBX | 12 / 12 | 0.93 (0.42) | 24VDC 120VAC | P2LBX592EENDDG49 P2LBX592EENDDG53 |
|  18" Grommet P2LAX 18" Grommet Shown | 3/8" | 2.5 | P2LCX | 17 / 17 | 1.78 (0.81) | 24VDC 120VAC | P2LCX593EENDDG49 P2LCX593EENDDG53 |
| | 1/2" | 2.7 | P2LDX | 17 / 17 | 1.78 (0.81) | 24VDC 120VAC | P2LDX594EENDDG49 P2LDX594EENDDG53 |

Notes: Above valves are rated for an operating temperature from 14°F to 122°F (-10°C to 50°C). See model code matrix for additional options.
 Response time: Actuate to 90% pressure / return to exhaust to 10% of supply pressure. 93 PSIG (6.3 bar) / temperature 68°F (20°C).

Double Solenoid, 4-way, 3-position All Ports Blocked, 3-position Center Exhaust, Normal Operating Pressure / Temperature

| Solenoid | Port size (NPT) | Cv | Valve type | Response time (msec) | Weight lb (kg) | Voltage | Part number | |
|---|-----------------|-----|------------|----------------------|----------------|-----------------|--|--|
| | | | | | | | All ports blocked | Center exhaust |
|   22mm DIN P2LBX 22mm DIN Shown | 1/8" | 0.5 | P2LAX | 18 / 40 | 0.62 (0.28) | 24VDC 120VAC | P2LAX691EENDDDB49 P2LAX691EENDDDB53 | P2LAX891EENDDDB49 P2LAX891EENDDDB53 |
| | 1/4" | 0.9 | P2LBX | 22 / 55 | 0.97 (0.44) | 24VDC 120VAC | P2LBX692EENDDDB49 P2LBX692EENDDDB53 | P2LBX892EENDDDB49 P2LBX892EENDDDB53 |
| | 3/8" | 1.8 | P2LCX | 30 / 90 | 2.45 (1.11) | 24VDC 120VAC | P2LCX693EENDDDB49 P2LCX693EENDDDB53 | P2LCX893EENDDDB49 P2LCX893EENDDDB53 |
| | 1/2" | 1.9 | P2LDX | 30 / 90 | 2.45 (1.11) | 24VDC 120VAC | P2LDX694EENDDDB49 P2LDX694EENDDDB53 | P2LDX894EENDDDB49 P2LDX894EENDDDB53 |
|  18" Grommet P2LBX 18" Grommet Shown | 1/8" | 0.5 | P2LAX | 18 / 40 | 0.62 (0.28) | 24VDC 120VAC | P2LAX691EENDDG49 P2LAX691EENDDG53 | P2LAX891EENDDG49 P2LAX891EENDDG53 |
| | 1/4" | 0.9 | P2LBX | 22 / 55 | 0.97 (0.44) | 24VDC 120VAC | P2LBX692EENDDG49 P2LBX692EENDDG53 | P2LBX892EENDDG49 P2LBX892EENDDG53 |
| | 3/8" | 1.8 | P2LCX | 30 / 90 | 2.45 (1.11) | 24VDC 120VAC | P2LCX693EENDDG49 P2LCX693EENDDG53 | P2LCX893EENDDG49 P2LCX893EENDDG53 |
| | 1/2" | 1.9 | P2LDX | 30 / 90 | 2.45 (1.11) | 24VDC 120VAC | P2LDX694EENDDG49 P2LDX694EENDDG53 | P2LDX894EENDDG49 P2LDX894EENDDG53 |

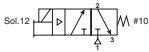

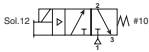

Notes: Above valves are rated for an operating temperature from 14°F to 122°F (-10°C to 50°C). See model code matrix for additional options.
 Response time: Actuate to 90% pressure / return to exhaust to 10% of supply pressure. 93 PSIG (6.3 bar) / temperature 68°F (20°C).

 Most popular.







Viking Lite Series
 Viking Xtreme Series
 B Series
 ADEX Series
 N Series
 D
 Inline Valve Products

Single Solenoid, 3-way, 2-position, Xtreme Operating Pressure / Temperature

| Solenoid | Port size (NPT) | Cv | Valve type | Response time (msec) | Weight lb (kg) | Voltage | Part number |
|--|-----------------|-------|------------|----------------------|----------------|--------------------------|--------------------------|
|   22mm DIN P2LAX 22mm DIN Shown | 1/8" | 0.7 | P2LAX | 15 / 45 | 0.84 (0.38) | 12VDC | P2LAX391ESHDDDB47 |
| | | | | | | 24VDC | P2LAX391ESHDDDB48 |
| | 1/4" | 1.3 | P2LBX | 25 / 65 | 0.84 (0.38) | 12VDC | P2LBX392ESHDDDB47 |
| | | | | | | 24VDC | P2LBX392ESHDDDB48 |
| | 3/8" | 2.5 | P2LCX | 25 / 85 | 1.01 (0.46) | 12VDC | P2LCX393ESHDDDB47 |
| | | | | | | 24VDC | P2LCX393ESHDDDB48 |
| 1/2" | 2.7 | P2LDX | 25 / 85 | 1.01 (0.46) | 12VDC | P2LDX394ESHDDDB47 | |
| | | | | | 24VDC | P2LDX394ESHDDDB48 | |
|   18" Grommet P2LBX 18" Grommet Shown | 1/8" | 0.7 | P2LAX | 15 / 45 | 0.84 (0.38) | 12VDC | P2LAX391ESHDDG47 |
| | | | | | | 24VDC | P2LAX391ESHDDG48 |
| | 1/4" | 1.3 | P2LBX | 25 / 65 | 0.84 (0.38) | 12VDC | P2LBX392ESHDDG47 |
| | | | | | | 24VDC | P2LBX392ESHDDG48 |
| | 3/8" | 2.5 | P2LCX | 25 / 85 | 1.01 (0.46) | 12VDC | P2LCX393ESHDDG47 |
| | | | | | | 24VDC | P2LCX393ESHDDG48 |
| 1/2" | 2.7 | P2LDX | 25 / 85 | 1.01 (0.46) | 12VDC | P2LDX394ESHDDG47 | |
| | | | | | 24VDC | P2LDX394ESHDDG48 | |

Notes: Above valves have Mobile Rate Coils and are rated for an operating temperature from -40°F to 140°F (-40°C to 60°C). See model code matrix for additional options.
 Response time: Actuate to 90% pressure / return to exhaust to 10% of supply pressure. 93 PSIG (6.3 bar) / temperature 68°F (20°C).

Single Solenoid, 4-way, 2-position, Xtreme Operating Pressure / Temperature

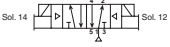


| Solenoid | Port size (NPT) | Cv | Valve type | Response time (msec) | Weight lb (kg) | Voltage | Part number |
|--|-----------------|-------|------------|----------------------|----------------|--------------------------|--------------------------|
|   22mm DIN P2LAX 22mm DIN Shown | 1/8" | 0.7 | P2LAX | 15 / 45 | 0.84 (0.38) | 12VDC | P2LAX591ESHDDDB47 |
| | | | | | | 24VDC | P2LAX591ESHDDDB48 |
| | 1/4" | 1.3 | P2LBX | 20 / 55 | 0.84 (0.38) | 12VDC | P2LBX592ESHDDDB47 |
| | | | | | | 24VDC | P2LBX592ESHDDDB48 |
| | 3/8" | 2.5 | P2LCX | 25 / 85 | 1.01 (0.46) | 12VDC | P2LCX593ESHDDDB47 |
| | | | | | | 24VDC | P2LCX593ESHDDDB48 |
| 1/2" | 2.7 | P2LDX | 25 / 85 | 1.01 (0.46) | 12VDC | P2LDX594ESHDDDB47 | |
| | | | | | 24VDC | P2LDX594ESHDDDB48 | |
|   18" Grommet P2LAX 18" Grommet Shown | 1/8" | 0.7 | P2LAX | 15 / 45 | 0.84 (0.38) | 12VDC | P2LAX591ESHDDG47 |
| | | | | | | 24VDC | P2LAX591ESHDDG48 |
| | 1/4" | 1.3 | P2LBX | 25 / 65 | 0.84 (0.38) | 12VDC | P2LBX592ESHDDG47 |
| | | | | | | 24VDC | P2LBX592ESHDDG48 |
| | 3/8" | 2.5 | P2LCX | 28 / 85 | 1.01 (0.46) | 12VDC | P2LCX593ESHDDG47 |
| | | | | | | 24VDC | P2LCX593ESHDDG48 |
| 1/2" | 2.7 | P2LDX | 25 / 85 | 1.01 (0.46) | 12VDC | P2LDX594ESHDDG47 | |
| | | | | | 24VDC | P2LDX594ESHDDG48 | |

Notes: Above valves have Mobile Rate Coils and are rated for an operating temperature from -40°F to 140°F (-40°C to 60°C). See model code matrix for additional options.
 Response time: Actuate to 90% pressure / return to exhaust to 10% of supply pressure. 93 PSIG (6.3 bar) / temperature 68°F (20°C).

 Most popular.

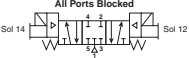
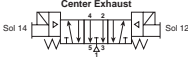



Double Solenoid, 4-way, 2-position, Xtreme Operating Pressure / Temperature

| Solenoid | Port size (NPT) | Cv | Valve type | Response time (msec) | Weight lb (kg) | Voltage | Part number |
|---|-----------------|-----|------------|----------------------|----------------|----------------|--|
|   P2LAX 18" Grommet Shown | 1/8" | 0.7 | P2LAX | 11 / 11 | 0.60 (0.27) | 12VDC 24VDC | P2LAX591EEHDDDB47 P2LAX591EEHDDDB48 |
| | 1/4" | 1.3 | P2LBX | 13 / 13 | 0.93 (0.42) | 12VDC 24VDC | P2LBX592EEHDDDB47 P2LBX592EEHDDDB48 |
| | 3/8" | 2.5 | P2LCX | 18 / 18 | 1.06 (0.48) | 12VDC 24VDC | P2LCX593EEHDDDB47 P2LCX593EEHDDDB48 |
| | 1/2" | 2.7 | P2LDX | 18 / 18 | 1.06 (0.48) | 12VDC 24VDC | P2LDX594EEHDDDB47 P2LDX594EEHDDDB48 |
|  P2LAX 22mm DIN Shown | 1/8" | 0.7 | P2LAX | 11 / 11 | 0.60 (0.27) | 12VDC 24VDC | P2LAX591EEHDDG47 P2LAX591EEHDDG48 |
| | 1/4" | 1.3 | P2LBX | 13 / 13 | 0.93 (0.42) | 12VDC 24VDC | P2LBX592EEHDDG47 P2LBX592EEHDDG48 |
| | 3/8" | 2.5 | P2LCX | 18 / 18 | 1.06 (0.48) | 12VDC 24VDC | P2LCX593EEHDDG47 P2LCX593EEHDDG48 |
| | 1/2" | 2.7 | P2LDX | 18 / 18 | 1.06 (0.48) | 12VDC 24VDC | P2LDX594EEHDDG47 P2LDX594EEHDDG48 |

Notes: Above valves have Mobile Rate Coils and are rated for an operating temperature from -40°F to 140°F (-40°C to 60°C). See model code matrix for additional options.
 Response time: Actuate to 90% pressure / return to exhaust to 10% of supply pressure. 93 PSIG (6.3 bar) / temperature 68°F (20°C).

Double Solenoid, 4-way, 3-position All Ports Blocked, 3-position Center Exhaust, Xtreme Operating Pressure / Temperature

| Solenoid | Port size | Cv | Valve type (NPT) | Response time (msec) | Weight lb (kg) | Voltage | Part number | |
|---|-----------|-----|------------------|----------------------|----------------|----------------|--|--|
| | | | | | | | All ports blocked | Center exhaust |
|   P2LAX 22mm DIN Shown | 1/8" | 0.5 | P2LAX | 18 / 40 | 0.62 (0.28) | 12VDC 24VDC | P2LAX691EEHDDDB47 P2LAX691EEHDDDB48 | P2LAX891EEHDDDB47 P2LAX891EEHDDDB48 |
| | 1/4" | 0.9 | P2LBX | 22 / 55 | 0.97 (0.44) | 12VDC 24VDC | P2LBX692EEHDDDB47 P2LBX692EEHDDDB48 | P2LBX892EEHDDDB47 P2LBX892EEHDDDB48 |
| | 3/8" | 1.8 | P2LCX | 30 / 90 | 2.45 (1.11) | 12VDC 24VDC | P2LCX693EEHDDDB47 P2LCX693EEHDDDB48 | P2LCX893EEHDDDB47 P2LCX893EEHDDDB48 |
| | 1/2" | 1.9 | P2LDX | 30 / 90 | 2.45 (1.11) | 12VDC 24VDC | P2LDX694EEHDDDB47 P2LDX694EEHDDDB48 | P2LDX894EEHDDDB47 P2LDX894EEHDDDB48 |
|  P2LAX 18" Grommet Shown | 1/8" | 0.5 | P2LAX | 18 / 40 | 0.62 (0.28) | 12VDC 24VDC | P2LAX691EEHDDG47 P2LAX691EEHDDG48 | P2LAX891EEHDDG47 P2LAX891EEHDDG48 |
| | 1/4" | 0.9 | P2LBX | 22 / 55 | 0.97 (0.44) | 12VDC 24VDC | P2LBX692EEHDDG47 P2LBX692EEHDDG48 | P2LBX892EEHDDG47 P2LBX892EEHDDG48 |
| | 3/8" | 1.8 | P2LCX | 30 / 90 | 2.45 (1.11) | 12VDC 24VDC | P2LCX693EEHDDG47 P2LCX693EEHDDG48 | P2LCX893EEHDDG47 P2LCX893EEHDDG48 |
| | 1/2" | 1.9 | P2LDX | 30 / 90 | 2.45 (1.11) | 12VDC 24VDC | P2LDX694EEHDDG47 P2LDX694EEHDDG48 | P2LDX894EEHDDG47 P2LDX894EEHDDG48 |

Notes: Above valves have Mobile Rate Coils and are rated for an operating temperature from -40°F to 140°F (-40°C to 60°C). See model code matrix for additional options.
 Response time: Actuate to 90% pressure / return to exhaust to 10% of supply pressure. 93 PSIG (6.3 bar) / temperature 68°F (20°C).

 Most popular.



Viking Lite Series

Viking Xtreme Series

B Series

ADEX Series

N Series

D

Inline Valve Products

Single & Double Solenoid Operated Valves

P2L A X 5 91 E S H D D G 49

| Valve size | |
|------------|---|
| 1/8" | A |
| 1/4" | B |
| 3/8" | C |
| 1/2" | D |

| Series | |
|---------------|---|
| Viking Xtreme | X |

| Voltage / frequency | |
|---------------------|-----------------|
| 42 | 24VAC |
| 45 | 12VDC |
| 47* | 12 VDC mobile |
| 48* | 24 VDC mobile |
| 49 | 24VDC |
| 53 | 120VAC |
| 57 | 240VAC |
| Blank | Valve less coil |

* Only available with enclosures "A", "B" & "G". Additional voltages are available upon request. Contact customer support for more information.

| Enclosures / lead length | |
|--------------------------|--|
| A | 30mm square 3-pin – ISO 4400 Form A (male only) |
| B | 22mm rectangular 3-pin – type B industrial (male only) |
| E* | Intrinsically safe, FM / CSA |
| F† | Hazardous duty, FM / CSA |
| G | Grommet - 18" leads |
| H | 1/2" NPT conduit - 18" leads |
| N | Solenoid pilot operator less coil |

* Only available with voltage code "49" & override option "A", valve type "N" Only.

† Valve Type "N" Only.

| Overrides | |
|-----------|----------------------|
| A | No override |
| C* | Flush - locking |
| D | Extended non-locking |

* Override for valve type N only.

| Solenoid pilot type | |
|---------------------|---------------------------|
| D | Pilot exhaust vented |
| N | Tapped pilot exhaust (M5) |

| Valve type | |
|------------|---|
| N | Normal vacuum to 145 PSIG (16 bar) 14°F to 122°F (-10°C to 50°C) |
| H* | Xtreme vacuum to 232 PSIG (10 bar) 14°F to 122°F (-10°C to 50°C) |

* P2LC and P2LD solenoid operated valves have a maximum pressure rating of 175 PSIG (12 bar)

| Valve type / function | | |
|---|--|---|
| <i>Internal pilot supply to solenoid*</i> | | |
| 3/2 NC - 2-position | | 3 |
| 5/2 2-position | | 5 |
| 5/3 3-position, APB | | 6 |
| 5/3 3-position, PC | | 7 |
| 5/3 3-position, CE | | 8 |
| <i>External pilot supply to the solenoids through ports #12 & #14</i> | | |
| 3/2 NC - 2-position | | L |
| 5/2 2-position | | N |
| 5/3 3-position, APB | | P |
| 5/3 3-position, PC | | Q |
| 5/3 3-position, CE | | R |

* Size A & B solenoid valves can be field converted from internal to external pilot. See page D31 for details.

| Main port thread | |
|-----------------------------|-----|
| G1/8 (P2LA) | 11 |
| G1/4 (P2LB) | 12 |
| G1/4 (P2LB) NAMUR Mount | 1N* |
| G3/8 (P2LC) | 13 |
| G1/2 (P2LD) | 14 |
| 1/8" NPT (P2LA) | 91 |
| 1/4" NPT (P2LB) | 92 |
| 1/4" NPT (P2LB) NAMUR Mount | 9N* |
| 3/8" NPT (P2LC) | 93 |
| 1/2" NPT (P2LD) | 94 |

* NAMUR mount available for 5/2, 2-position only.

| 12 End operator | |
|--------------------------------|----|
| Double solenoid operated valve | E |
| Single solenoid spring return | S* |

* Not available with 3-position valves.

Viking Lite Series

Viking Xtreme Series

B Series

ADEX Series

N Series

D

Inline Valve Products

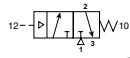
Most popular.



Parker Pneumatic

Remote Pilot Operated Valves

Single Remote Pilot, 3-way, 2-position, Xtreme Operating Pressure / Temperature



P2LAX Shown

| Port size (NPT) | Cv | Response time (msec) | Weight lb (kg) | Valve type | Part number |
|-----------------|-----|----------------------|----------------|------------|-------------------|
| 1/8" | 0.7 | 15 / 45 | 0.68 (0.31) | P2LAX | P2LAX391PS |
| 1/4" | 1.3 | 25 / 65 | 0.68 (0.31) | P2LBX | P2LBX392PS |
| 3/8" | 2.5 | 25 / 65 | 0.88 (0.40) | P2LCX | P2LCX393PS |
| 1/2" | 2.7 | 25 / 65 | 0.88 (0.40) | P2LDX | P2LDX394PS |

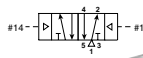
Single Remote Pilot, 4-way, 2-position, Xtreme Operating Pressure / Temperature



P2LAX Shown

| Port size (NPT) | Cv | Response time (msec) | Weight lb (kg) | Valve type | Part number |
|-----------------|-----|----------------------|----------------|------------|-------------------|
| 1/8" | 0.7 | 15 / 45 | 0.33 (0.15) | P2LAX | P2LAX591PS |
| 1/4" | 1.3 | 20 / 55 | 0.68 (0.31) | P2LBX | P2LBX592PS |
| 3/8" | 2.5 | 25 / 85 | 0.90 (0.41) | P2LCX | P2LCX593PS |
| 1/2" | 2.7 | 25 / 85 | 0.90 (0.41) | P2LDX | P2LDX594PS |

Double Remote Pilot, 4-way, 2-position, Xtreme Operating Pressure / Temperature



P2LAX Shown

| Port size (NPT) | Cv | Response time (msec) | Weight lb (kg) | Valve type | Part number |
|-----------------|-----|----------------------|----------------|------------|-------------------|
| 1/8" | 0.7 | 11 / 11 | 0.33 (0.15) | P2LAX | P2LAX591PP |
| 1/4" | 1.3 | 13 / 13 | 0.68 (0.31) | P2LBX | P2LBX592PP |
| 3/8" | 2.5 | 18 / 18 | 0.90 (0.41) | P2LCX | P2LCX593PP |
| 1/2" | 2.7 | 18 / 18 | 0.90 (0.41) | P2LDX | P2LDX594PP |

Double Remote Pilot, 4-way, 3-position All Ports Blocked, 3-position Center Exhaust, Xtreme Operating Pressure / Temperature



P2LAX Shown

| Port size (NPT) | Cv | Response time (msec) | Weight lb (kg) | Valve type | Part number | |
|-----------------|-----|----------------------|----------------|------------|-------------------|-------------------|
| | | | | | All ports blocked | Center exhaust |
| 1/8" | 0.5 | 18 / 50 | 0.31 (0.14) | P2LAX | P2LAX691PP | P2LAX891PP |
| 1/4" | 0.9 | 25 / 65 | 0.73 (0.33) | P2LBX | P2LBX692PP | P2LBX892PP |
| 3/8" | 1.8 | 30 / 90 | 0.93 (0.42) | P2LCX | P2LCX693PP | P2LCX893PP |
| 1/2" | 1.9 | 30 / 90 | 0.93 (0.42) | P2LDX | P2LDX694PP | P2LDX894PP |

Notes: Above valves are rated for an operating temperature from -40°F to 140°F (-40°C to 60°C). See model code matrix for additional options.
 Response time: Actuate to 90% pressure / return to exhaust to 10% of supply pressure. 93 PSIG (6.3 bar) / temperature 68°F (20°C).

Remote Air Pilot Operated Valves

P2L A X 5 91 PS

| Valve size | |
|------------|----|
| 1/8" | A |
| 1/4" | B |
| 3/8" | C* |
| 1/2" | D* |

* P2LCX and P2LDX manual & remote air pilot valves have a maximum pressure rating of 175 PSIG (12 bar).

| Operators / return | |
|--------------------|------------------------------------|
| PP | Double remote pilot |
| PS* | Single remote pilot, spring return |

* Not available with 3-position valves.

| Main port thread | |
|------------------|-----------------|
| 11 | G1/8 (P2LA) |
| 12 | G1/4 (P2LB) |
| 13 | G3/8 (P2LC) |
| 14 | G1/2 (P2LD) |
| 91 | 1/8" NPT (P2LA) |
| 92 | 1/4" NPT (P2LB) |
| 93 | 3/8" NPT (P2LC) |
| 94 | 1/2" NPT (P2LD) |

Note: NAMUR Mount for P2LBX is available upon request.

| Valve type / function | |
|--|---|
| <i>Internal pilot supply to solenoid</i> | |
| 3/2 NC - 2-position | 3 |
| 5/2 2-position | 5 |
| 5/3 3-position, APB | 6 |
| 5/3 3-position, PC | 7 |
| 5/3 3-position, CE | 8 |

Most popular.



Viking Lite Series

Viking Xtreme Series

B Series

ADEX Series

N Series

D

Inline Valve Products

ATEX Certified Single & Double Solenoid Operated Valves

Vacuum to 145 PSIG (vacuum to 10 bar)
 14°F to 122°F 22mm coils (enclosure option M)
 -4°F to 122°F 30mm coils (enclosure option S)

P2L A X 5 91 E S A D D M 49

| Valve size | |
|------------|---|
| 1/8" | A |
| 1/4" | B |
| 3/8" | C |
| 1/2" | D |

| Voltage | |
|---------|-------|
| 49 | 24VDC |

| Enclosures | |
|------------|--------------------------|
| M | ATEX 8-22T EExm T4 135°C |
| S | ATEX 8-30T EExm T6 85°C |

| Overrides | |
|-----------|----------------------|
| D | Extended non-locking |

| Solenoid pilot type | |
|---------------------|---------------------------|
| D | Vented pilot exhaust |
| N | Tapped pilot exhaust (M5) |

| 12 end operator | |
|-----------------|--------------------------------|
| E | Double solenoid operated valve |
| S | Single solenoid spring return |

| Valve type / function | |
|---|---|
| <i>Internal Pilot Supply to Solenoid</i> | |
| 2-position valve | 5 |
| 3-position valve APB | 6 |
| 3-position valve PC | 7 |
| 3-position valve CE | 8 |
| <i>External Pilot Supply to Solenoids through Ports #12 & #14</i> | |
| 2-position valve | N |
| 3-position valve APB | P |
| 3-position valve PC | Q |
| 3-position valve CE | R |

| Main port thread | |
|------------------|----|
| G1/8 (P2LA) | 11 |
| G1/4 (P2LB) | 12 |
| G3/8 (P2LC) | 13 |
| G1/2 (P2LD) | 14 |
| 1/8" NPT (P2LA) | 91 |
| 1/4" NPT (P2LB) | 92 |
| 3/8" NPT (P2LC) | 93 |
| 1/2" NPT (P2LD) | 94 |

NOTE: For ATEX certified remote air pilot valves, build the valve part number from the model number index for remote pilot and add "-EX" following the number.

Example: P2LAX591PS-EX

Note: all valves include a 3 meter sealed cable with assembly.



ATEX Certified Solenoid Pilot Assemblies

P2F S 1 3 A 3 D M 49

| Voltage | |
|---------|-------|
| 49 | 24VDC |

| Enclosures | |
|------------|--------------------------|
| M | ATEX 8-22T EExm T4 135°C |
| S | ATEX 8-30T EExm T6 85°C |

Note: all valves include a 3 meter sealed cable with assembly.

IEM Bar Manifold, Viking Xtreme Solenoid / Remote Pilot Valves



| Valve series | Valve function | ## -Stations | Manifold only (NPT) | Manifold only (BSPP) |
|--------------|----------------|--------------|----------------------|----------------------|
| P2LAX* | 3-way | 02 - 12 | P2LAXGAXN##NP | P2LAXGAXG##NP |
| P2LAX* | 4-way | 02 - 12 | P2LAXMAXN##NP | P2LAXMAXG##NP |
| P2LBX* | 3-way | 02 - 12 | P2LBXGAXN##NP | P2LBXGAXG##NP |
| P2LBX* | 4-way | 02 - 12 | P2LBXMAXN##NP | P2LBXMAXG##NP |
| P2LCX | 3-way / 4-way | 02 - 12 | P2LCXMAXN##NP | P2LCXMAXG##NP |

Kits include: (1) manifold, valve hold down bolts and o-rings. Replace ## with number of valve stations.
 * 30mm solenoid coil option "A" not available on IEM bar manifold P2LAX or P2LBX.

IEM Bar Manifold Add-A-Fold Assembly (Viking Xtreme Solenoid / Remote Pilot Valves Only)



| Valve series | Valve function | ## -Stations | Manifold only (NPT) | Manifold only (BSPP) |
|--------------|----------------|--------------|------------------------|------------------------|
| P2LAX* | 3-way | 02 - 12 | AAP2LAXGAXG##NP | AAP2LAXGAXG##NP |
| P2LAX* | 4-way | 02 - 12 | AAP2LAXMAXN##NP | AAP2LAXMAXG##NP |
| P2LBX* | 3-way | 02 - 12 | AAP2LBXGAXG##NP | AAP2LBXGAXG##NP |
| P2LBX* | 4-way | 02 - 12 | AAP2LBXMAXN##NP | AAP2LBXMAXG##NP |
| P2LCX | 3-way / 4-way | 02 - 12 | AAP2LCXMAXN##NP | AAP2LCXMAXG##NP |

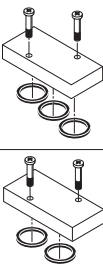
Kits include: (1) manifold, valve hold down bolts, o-rings and assembly. Replace ## with number of valve stations.
 * 30mm solenoid coil option "A" not available on IEM bar manifold P2LAX or P2LBX.

- How to Order: 1. List Add-A-Fold assembly part number as line item 1
 2. List the desired valves series part number in subsequent line items after the Add-A-Fold Assembly part number to complete the ordering code. Include all valves and blanking kits required. The left most station is station # 1 looking at the #12 end of the manifold.

Example: B3, 4-way manifold with station #1 blanked off with valves assembled

| Line | Qty | Part number | Comment |
|------|-----|--------------------|---|
| 1 | 1 | AAP2LBXMAXN02NP | Add-A-Fold Assembly, 2-station IEM bar manifold |
| 2 | 2 | P2LBX591ESNNDDDB49 | 4-way, Station 1, 2 |

Blanking Plate



| Type | Kit number |
|-----------------|--------------------|
| P2LAX 4-way | 9121658063 |
| P2LBX 4-way | 9121594809X |
| P2LCX 3 & 4 way | P2LCXK20P |
| P2LAX 3-way | 912132BPSXZ |
| P2LBX 3-way | 912132BPSXZ |

Kit includes: plate, screws, o-rings

Manifold Bolts

| Type | Qty. | Kit number |
|-------|------|------------------|
| P2LAX | 12 | P2LAXK87P |
| P2LBX | 12 | P2LBXK87P |
| P2LCX | 12 | P2LCXK87P |

Manifold O-rings

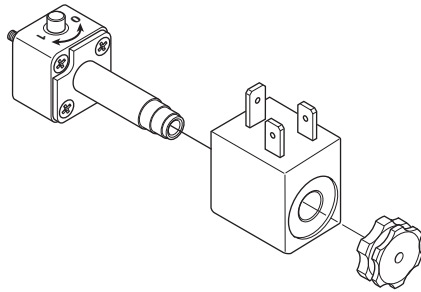
| Type | Qty. | Kit number |
|-------|------|------------------|
| P2LAX | 30 | P2LAXK84P |
| P2LBX | 18 | P2LBXK84P |
| P2LCX | 12 | P2LCXK84P |

Most popular.



Viking Lite Series
 Viking Xtreme Series
 B Series
 ADEX Series
 N Series
 D
 Inline Valve Products

22mm Solenoid Pilot Operators & Coils



22mm solenoid pilot options

The P2FP13*4* (NC) 3/2 solenoid pilot operators are designed for piloting pneumatic control valves with compressed air or other inert gases.

The P2FP operator is available for Normal operating pressures up to 10 bar or the Xtreme maximum operating pressure of 16 bar and wide band voltage tolerances required for mobile applications.

Corrosion resistant design

The pilot valve body is manufactured in thermoplastic PA6 material and the core tube brass / stainless steel. The plunger / core is made from stainless steel and the valve seats from FKM.

Solenoid pilot exhaust

These operators all exhaust out of the top of the core tube which is tapped M5. The standard solenoid nut (Solenoid pilot type "D") fitted to the core tube is a diffuser nut which allows the exhaust to escape to atmosphere. This nut also minimizes ingress of dirt into the valve through this port. The alternative plastic knurled nut (Solenoid pilot type "N") can be specified (refer to part number system) if the exhaust air needs captured and piped away using the M5 tapped port.

Mobile applications

Viking Xtreme valves are tested to +5g shock and vibration. Solenoid operated valves are designed to operate with wide voltage tolerance bands within the ambient temperature ranges stated in the technical section.

Coils

Coils are wound with enameled copper wire, having a temperature index of 180°C with class F insulation (155°C) and are encapsulated in Thermoplastic resin. When fitted with suitable connector and correct gasket, they give protection to IP65.

Manual override options

The pilot operators can be supplied with locking or non-locking manual override. The standard manual override is the monostable (spring return) extended brass override. Alternatively the bistable (locking) override can be specified as an alternative for the Normal duty 10 bar option.

Spares

Solenoid operators are available as spares complete with mounting screws and seals. Coils and connectors should be ordered separately unless ATEX certified and intrinsically safe is needed. ATEX certified operators and coils must be ordered together.

Transients

Interrupting the current through the solenoid coil produces momentary voltage peaks which, under unfavorable conditions, can amount to several hundred times the rated operating voltage. Normally, these transients do not cause problems, but to achieve the maximum life of relays in the circuit (and particularly of transistors, thyristors and integrated circuits) it is desirable to provide protection by means of voltage-dependent resistors (varistors). All connectors / cable plugs with LEDs include this type of circuit protection.

Materials

Pilot Valve

- Body Polyamide
- Armature tube:
 - Normal pilot operator Brass
 - Xtreme pilot operator Stainless steel
- Plunger & core Corrosion resistant CR-NI steel
- Seals FKM (viton™)
- Screws Stainless steel

Coil

- Encapsulation material Thermoplastic

ATEX

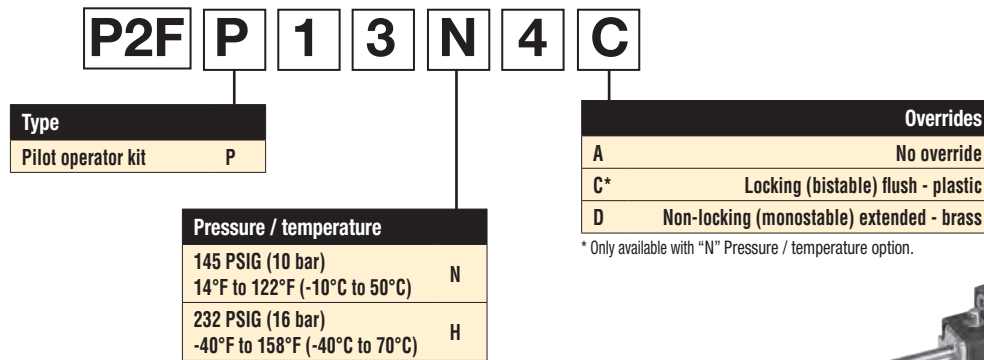


ATEX is a European Directive (94/9/EC) valid for products to be used within an explosive atmosphere.

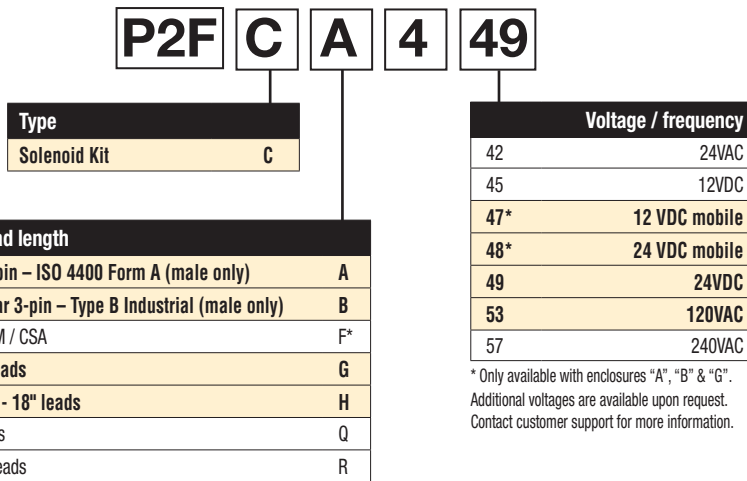
Both ATEX certified solenoid, remote pilot and manual operated valves, as well as complete solenoid pilot assemblies are available. For specific information regarding ATEX certification please visit www.parker/pneumatics.

| |
|-----------------------|
| Viking Lite Series |
| Viking Xtreme Series |
| B Series |
| ADEX Series |
| N Series |
| D |
| Inline Valve Products |

Pilot Operator Kits



Solenoid Kits



Solenoid Enclosures



Solenoid Information (Solenoids are rated for continuous duty.)

| Voltage Code | Enclosure "A" | | | Enclosure "B" to "R" | | | |
|--------------|---------------|---------|----|----------------------|----------------|-------------------|----------------|
| | AC 60Hz | DC 50Hz | DC | Power consumption | Holding (amps) | Power consumption | Holding (amps) |
| 42 | 24 | 22 | | 3.9VA | .14 | 7.3VA | .31 |
| 45 | — | — | 12 | 2.6W | .21 | 4.6W | .37 |
| 47* | — | — | 12 | 6.2W | .52 | 5.5W | .46 |
| 48* | — | — | 24 | 6.8W | .29 | 6.0W | .25 |
| 49 | — | — | 24 | 2.7W | .11 | 4.8W | .20 |
| 53 | 120 | 110 | — | 4.1VA | .04 | 6.3VA | .05 |
| 57 | 240 | 230 | — | 3.7VA | .02 | 6.4VA | .03 |

* Mobile voltages. Solenoid voltage characteristics for all coils located on page D31.

Replacement Solenoid Nut

| Description | Part number | Description | Part number |
|-----------------------|---------------|---------------------|----------------|
| Solenoid diffuser nut | PS1556 | Solenoid vented nut | PS2892P |

Most popular.



| |
|-----------------------|
| Viking Lite Series |
| Viking Xtreme Series |
| B Series |
| ADEX Series |
| N Series |
| D |
| Inline Valve Products |

Intrinsically safe solenoid valves (“E” option)

Hazardous location class:

Class I; Groups A, B, C & D

Class II; Groups E, F, & G

Class III; Div. I

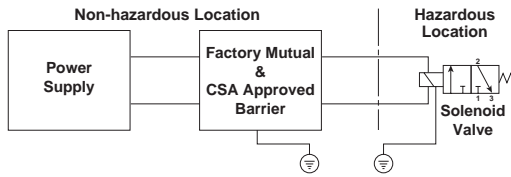
For use in low voltage (24VDC) Intrinsically Safe applications. NO OTHER VOLTAGE IS APPROVED.

Comes standard with non-lighted solenoid connector.

36mm Coil width.

Must be connected to an FM approved Barrier.

For dimensions, reference standard solenoid models. Maximum internally piloted valve pressure is 115 PSIG. Pressures to 145 PSIG can be used when external pilot is utilized and pilot pressure is limited to 115 PSIG.



Hazardous duty solenoid valves (“F” option)

Hazardous location class:

Class I; Zone I EX, M, II & T4

Class I; Div. I, Groups A, B, C, & D

Class II & III; Div. I, Groups E, F, & G

Comes standard with 1/2" conduit connection.

Voltage range = ±10%

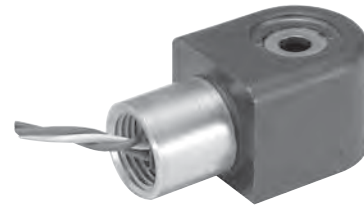
Ambient temperature range = -20°C (-4°F) to 60°C (140°F)

Duty factor = 100%

IP65 Rated (with connected conduit connector)

Notes:

1. Maximum non-hazardous location voltage not to exceed 250V RMS.
2. Connect per Barrier Manufacturers instructions.
3. Factory Mutual requires connections per ISA RP 12.6 instructions.
4. CSA requires “Installation to be in accordance with the Canadian Electrical Code. Part I.”
5. The hazardous duty coils are wider in size than size A, B, C & D valves.
If mounted on a manifold, the valves need to be staggered to fit.

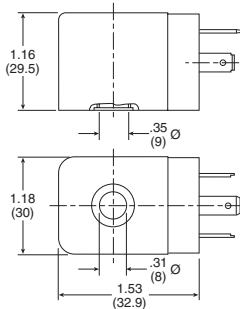


**Option F
 Hazardous Duty FM / CSA**

Intrinsically safe solenoid pilot assembly kits

| Description | Part number |
|-------------|---------------------|
| 24VDC | P2FS13N1AE49 |

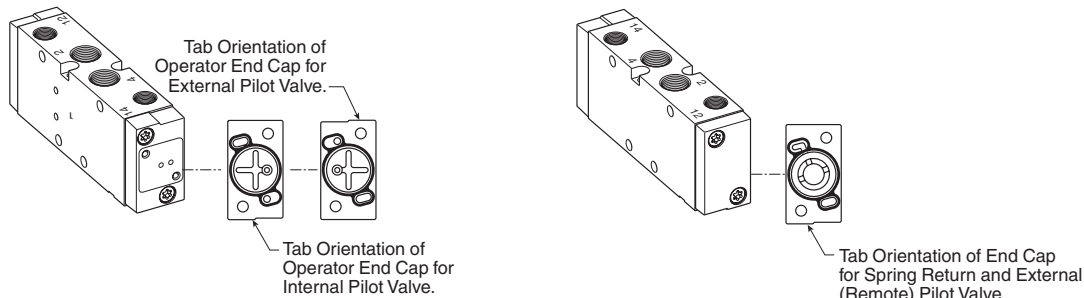
Kit includes: coil, connector, o-ring & screws



Internal to external pilot conversion (size A & B only)

To convert from Internal to External Pilot Valve, simply remove the (2) fasteners that attach the end cap to the valve body. Rotate the end cap 180° and attach back to the valve body. For single solenoid valves, only the 14-End needs to be rotated. For double solenoid valves, both ends must be converted for proper function.

The 12 & 14-Ports are always tapped no matter what Valve Type / Function is selected. For Internal Pilot Function, ports do NOT need to be plugged.



Operating temperature

- **Normal**.....14°F to 122°F (-10°C to 50°C)
- **Xtreme**..... -40°F to 158°F (-40°C to 70°C)

Flow Rating

| Valve size | Port size | 2-position | 3-position |
|------------|-----------|------------|------------|
| P2LAX | 1/8" | 0.7 | 0.5 |
| P2LBX | 1/4" | 1.3 | 0.9 |
| P2LCX | 3/8" | 2.5 | 1.8 |
| P2LDX | 1/2" | 2.7 | 1.9 |

Operating pressure*

Maximum: Normal Valve Type.....145 PSIG (10 bar)
Xtreme Valve Type.....232 PSIG (16 bar)

Minimum:

| Valve type - internal pilot | Minimum PSIG (bar) | | | |
|---|--------------------|-------------|-------------|-------------|
| | P2LAX | P2LBX | P2LCX | P2LDX |
| Single solenoid - spring return | 46 (3.2) | 51 (3.5) | 51 (3.5) | 51 (3.5) |
| Single remote pilot - spring return | 46 (3.2) | 51 (3.5) | 51 (3.5) | 51 (3.5) |
| Double solenoid - 2-position | 22 (1.5) | 22 (1.5) | 22 (1.5) | 22 (1.5) |
| Double remote pilot - 2-position | 22 (1.5) | 22 (1.5) | 22 (1.5) | 22 (1.5) |
| Double solenoid - 3-position (APB, PC, CE) | 51 (3.5) | 51 (3.5) | 51 (3.5) | 51 (3.5) |
| Double remote pilot - 3-position (APB, PC, CE) | 51 (3.5) | 51 (3.5) | 51 (3.5) | 51 (3.5) |

| Valve type - External pilot | P2LAX | P2LBX | P2LCX | P2LDX |
|-----------------------------|--------|-------|-------|-------|
| All Viking series | Vacuum | | | |

* P2LC and P2LD solenoid operated valves have a maximum pressure rating of 175 PSIG (12 bar)

Solenoid voltage characteristics

Non-mobile coils

+10% / -10% for all coils with Normal and Xtreme Operators

Mobile coils - normal pilot operator

22mm 12 & 24VDC - Mobile (47 & 48 voltage code)

| Operating temperature | | | |
|------------------------------|----------------|----------------|----------------|
| Minimum inlet pressure (bar) | -10°C | +10°C | +50°C |
| | 3 | +30 / -25% VDC | +30 / -20% VDC |
| 6 | +30 / -30% VDC | +30 / -25% VDC | +25 / -20% VDC |
| 8 | +30 / -30% VDC | +30 / -30% VDC | +25 / -25% VDC |
| 10 | +30 / -30% VDC | +30 / -30% VDC | +25 / -30% VDC |

30mm 12 & 24VDC - Mobile (47 & 48 voltage code)

| Operating temperature | | | |
|------------------------------|----------------|----------------|----------------|
| Minimum inlet pressure (bar) | -10°C | +10°C | +50°C |
| | 3 | +30 / -30% VDC | +30 / -30% VDC |
| 6 | +30 / -30% VDC | +30 / -30% VDC | +25 / -30% VDC |
| 8 | +30 / -30% VDC | +30 / -30% VDC | +25 / -30% VDC |
| 10 | +30 / -30% VDC | +30 / -30% VDC | +25 / -30% VDC |

Mobile coils - Xtreme pilot operator

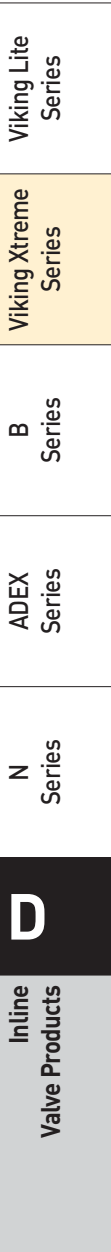
22mm 12 & 24VDC - Mobile (47 & 48 voltage code)

| Operating temperature | | | | |
|------------------------------|----------------|----------------|----------------|----------------|
| Minimum inlet pressure (bar) | -40°C | +10°C | +50°C | +70°C |
| | 4 | +30 / -25% VDC | +30 / -25% VDC | +30 / -10% VDC |
| 8 | +30 / -30% VDC | +30 / -25% VDC | +30 / -15% VDC | +20 / -15% VDC |
| 12 | +30 / -30% VDC | +30 / -30% VDC | +30 / -15% VDC | +20 / -15% VDC |
| 16 | +30 / -30% VDC | +30 / -30% VDC | +30 / -20% VDC | +20 / -20% VDC |

30mm 12 & 24VDC - Mobile (47 & 48 voltage code)

| Operating temperature | | | | |
|------------------------------|----------------|----------------|----------------|----------------|
| Minimum inlet pressure (bar) | -40°C | +10°C | +50°C | +70°C |
| | 4 | +30 / -30% VDC | +30 / -30% VDC | +25 / -30% VDC |
| 8 | +30 / -30% VDC | +30 / -30% VDC | +25 / -30% VDC | +15 / -30% VDC |
| 12 | +30 / -30% VDC | +30 / -30% VDC | +25 / -30% VDC | +15 / -30% VDC |
| 16 | +30 / -30% VDC | +30 / -30% VDC | +25 / -30% VDC | +15 / -30% VDC |

Note: All table ratings are based on 100% continuous duty and 5G shock vibration. At 50% continuous duty all ratings are +30% / -30% for all Temperatures and Pressures.



Female Electrical Connectors / Accessories

30mm Square 3-Pin – ISO 4400, DIN 43650A (Use with Enclosure “A”)

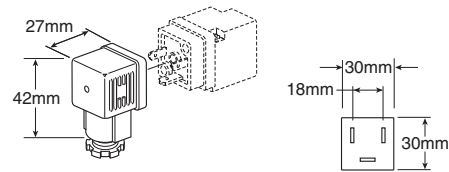
| Description | Connector with 6' (2m) cord | Connector |
|---------------------------------|-----------------------------|-------------------|
| Unlighted | PS2028JCP | PS2028BP |
| Light – 6-48V, 50/60Hz, 6-48VDC | PS2032J79CP* | PS203279BP |
| Light – 120V/60Hz | PS2032J83CP* | PS203283BP |
| Light – 240V/60Hz | N/A | PS203283BP |

* LED with surge suppression.

Note: Max ø6.5mm cable size required for connector w/o 6' (2m) cord. IP65 rated when properly installed.

Engineering data:

Conductors: 2 poles plus ground; cable range (connector only): 8 to 10mm (0.31 To 0.39 Inch); contact spacing: 18mm.



Viking Lite Series

Viking Xtreme Series

B Series

ADEX Series

N Series

D

Inline Valve Products

22mm Rectangular 3-Pin – Type B Industrial (Use with Enclosure “B”)

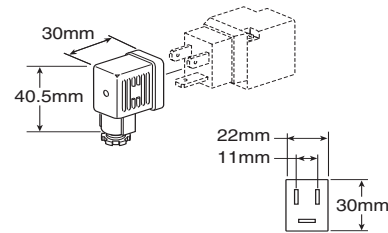
| Description | Connector with 6' (2m) cord | Connector |
|------------------------|-----------------------------|-------------------|
| Unlighted | PS2429JBP | PS2429BP |
| Light – 24V60Hz, 24VDC | PS2430J79BP* | PS243079BP |
| Light – 120V/60Hz | PS2430J83BP* | PS243083BP |
| Light – 240V/60Hz | N/A | PS243087BP |

* LED with surge suppression.

Note: Max ø6.5mm cable size required for connector w/o 6' (2m) cord. IP65 rated when properly installed.

Engineering data:

Conductors: 2 poles plus ground; cable range (connector only): 6 to 8mm (0.24 To 0.31 Inch); contact spacing: 11mm.



Exhaust Mufflers

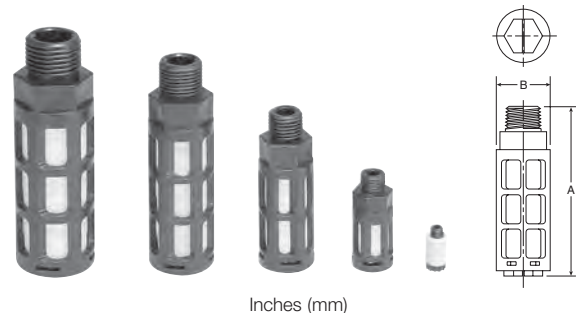
| Pipe thread | Part number |
|-------------|-----------------|
| M5 | P6M-PAC5 |
| 1/8" NPT | EM12 |
| 1/4" NPT | EM25 |
| 3/8" NPT | EM37 |
| 1/2" NPT | EM50 |

P6M - Plastic; EM - Sintered bronze



Plastic Silencers

| Thread size | A (mm) | B (mm) | Part number | |
|-------------|-----------|-----------|---------------|--------------|
| | | | NPT | BSPT |
| M5 | .43 (11) | .32 (8) | AS-5 | |
| 1/8" | 1.57 (40) | .63 (16) | ASN-6 | AS-6 |
| 1/4" | 2.56 (65) | .83 (21) | ASN-8 | AS-8 |
| 3/8" | 3.35 (85) | .98 (25) | ASN-10 | AS-10 |
| 1/2" | 3.74 (95) | 1.18 (30) | ASN-15 | AS-15 |



Inches (mm)



Exhaust Protector

Features

- • 1/8 and 1/4 NPT male sizes
- • Fitted with a brass pipe adapter and a fluorocarbon membrane
- • Resistant to rust, clog, wash down and contamination

Applications

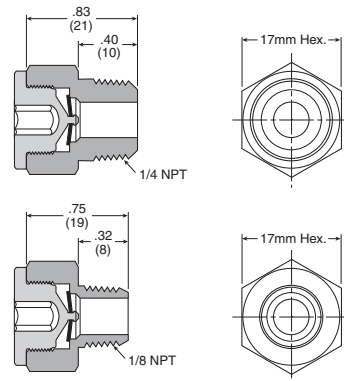
These protectors are intended for mobile applications, quick venting applications and alternative exhaust port breathers that require protection against clogging.

Ideal for valves exposed to harsh environmental conditions (which can cause a “caking up” in the exhaust pipe ports where the bronze mufflers or breather vents are installed).

Particularly suitable for time-sensitive applications such as axle-lift suspensions or pushers or tag axles.

Flow data (SCFM)

| Size | 60 PSIG Inlet | 90 PSIG Inlet | 125 PSIG Inlet | Part number |
|------|---------------|---------------|----------------|---------------|
| 1/8" | 40.1 | 56.5 | 75.5 | E90016 |
| 1/4" | 44.6 | 62.7 | 83.5 | E90017 |



Operating information

| | |
|------------------------|--------------------------------|
| Operating pressure: | 0 to 150 PSIG (0 to 10 bar) |
| Operating temperature: | -40°F to 140°F (-40°C to 60°C) |

Material specifications

| | |
|---------------------|--------------|
| Body & pipe adapter | Brass |
| Membrane | Fluorocarbon |

Spool Service Kits

| Description | Includes items (qty.) | Part number |
|--|----------------------------|-------------------|
| Size A, 4-way, 2-position, solenoid & air pilot valves | 1 (1), 3 (2), 4 (2) | P2LAXSK1 |
| Size A, 4-way, 3-position, solenoid & air pilot valves | 1 (1), 2 (2), 3 (2), 4 (2) | P2LAXSK2 |
| Size A, 4-way, 2-position, manual valves | Spool only (not shown) | P2LAXSK3 |
| Size A, 4-way, 3-position, manual valves | Spool only (not shown) | P2LAXSK4 |
| Size B, 4-way, 2 & 3-position valves | 1 (1), 3 (2), 4 (2) | P2LBXSK1 |
| Size C & Size D, 4-way, 2 & 3-position valves | 1 (1), 3 (2), 4 (2) | P2LCXDYSK1 |

A - 30mm Square
3-Pin ISO Form A

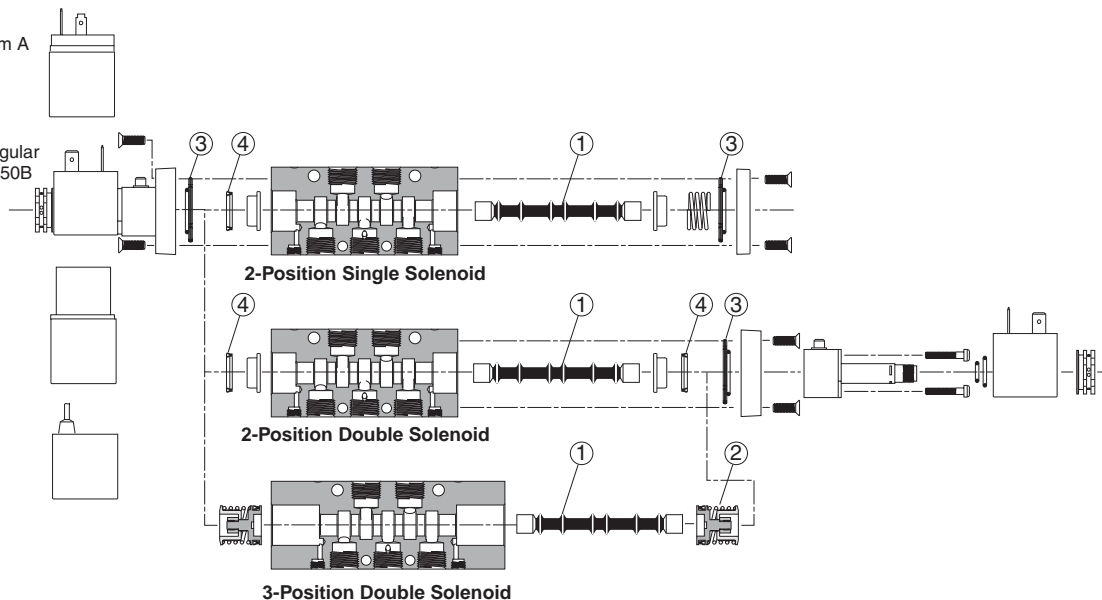
B - 22mm Rectangular
3-Pin DIN 43650B

H - 1/2" Conduit
18" Leads

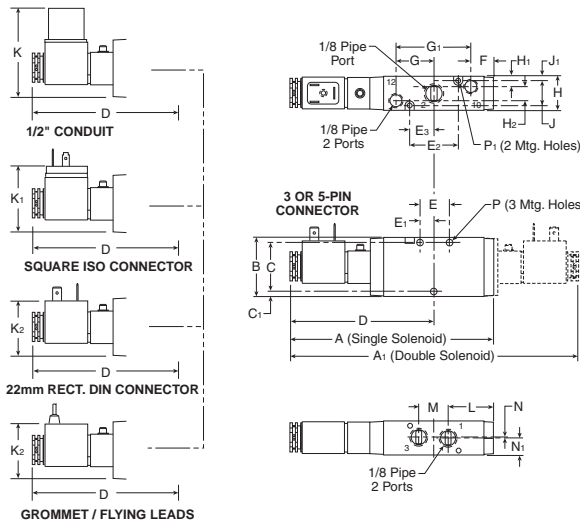
R - 1/2" Conduit
72" Leads

G - Grommet
18" Leads

Q - Grommet
72" Leads



P2LAX 3/2 Single & Double Operators – Solenoid

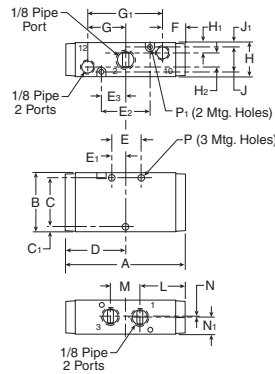


P2LAX 3/2 (solenoid)

| A | A ₁ | B | C | C ₁ |
|------------------|------------------|----------------|----------------|----------------|
| 5.35 (136) | 7.60 (193) | 1.57 (40) | 1.26 (32) | .16 (4) |
| D | E | E ₁ | E ₂ | E ₃ |
| 3.80 (97) | .79 (20) | .39 (10) | 1.26 (32) | .63 (16) |
| F | G | G ₁ | H | H ₁ |
| .55 (14) | .98 (25) | 1.97 (50) | .87 (22) | .26 (6.6) |
| H ₂ | J | J ₁ | K | K ₁ |
| .35 (9) | .65 (16.5) | .11 (2.9) | 2.36 (60) | 1.61 (41) |
| K ₂ | L | M | N | N ₁ |
| 1.50 (38) | 1.14 (29) | .79 (20) | .02 (0.5) | .42 (11) |
| P | P ₁ | | | |
| ∅ .17 ∅ (4.3) | ∅ .12 ∅ (3.1) | | | |

Inches (mm)

P2LAX 3/2 Single & Double Operators – Remote Pilot

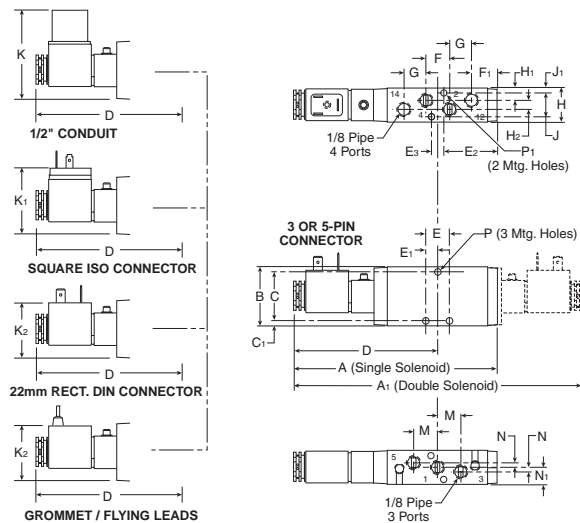


P2LAX 3/2 (remote)

| A | B | C | C ₁ | D |
|----------------|------------------|------------------|----------------|----------------|
| 3.07 (78) | 1.57 (40) | 1.26 (32) | .16 (4) | 1.54 (39) |
| E | E ₁ | E ₂ | E ₃ | F |
| .79 (20) | .39 (10) | 1.26 (32) | .63 (16) | .55 (14) |
| G | G ₁ | H | H ₁ | H ₂ |
| .98 (25) | 1.97 (50) | .87 (22) | .26 (6.6) | .35 (9) |
| J | J ₁ | L | M | N |
| .65 (16.5) | .11 (2.9) | 1.14 (29) | .79 (20) | .02 (0.5) |
| N ₁ | P | P ₁ | | |
| .42 (11) | ∅ .17 ∅ (4.3) | ∅ .12 ∅ (3.1) | | |

Inches (mm)

P2LAX 5/2 & 5/3 Single & Double Operators, 4-way



P2LAX 5/2 & 5/3 (solenoid)

| A | A ₁ | B | C | C ₁ |
|------------------|----------------|----------------|----------------|------------------|
| 5.47 (139) | 7.72 (196) | 1.57 (40) | 1.30 (33) | .14 (3.5) |
| D | E | E ₁ | E ₂ | E ₃ |
| 3.86 (98) | .63 (16) | .31 (8) | 1.42 (36) | .33 (8.5) |
| F | F ₁ | G | H | H ₁ |
| .63 (16) | .67 (17) | .59 (15) | .87 (22) | .31 (8) |
| H ₂ | J | J ₁ | K | K ₁ |
| .24 (6) | .63 (16) | .12 (3.9) | 2.36 (60) | 1.61 (41) |
| K ₂ | M | N | N ₁ | P |
| 1.50 (38) | .63 (16) | .12 (3) | .43 (11) | ∅ .17 ∅ (4.3) |
| P ₁ | | | | |
| ∅ .12 ∅ (3.1) | | | | |

Inches (mm)

Viking Lite Series
Viking Xtreme Series

B Series

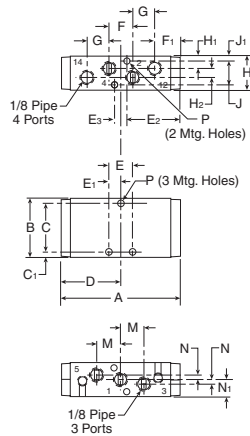
ADEX Series

N Series

D Inline Valve Products



P2LAX 5/2 & 5/3 Single & Double Operators – Remote Pilot

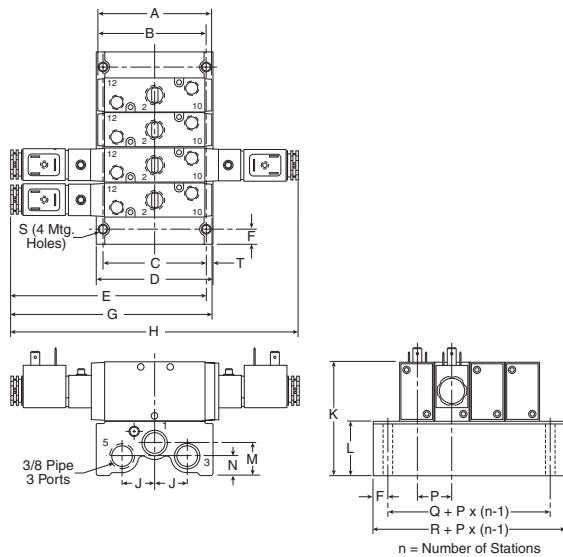


P2LAX 5/2 & 5/3 (remote)

| A | B | C | C ₁ | D |
|------------------|------------------|----------------|----------------|----------------|
| 3.19 (81) | 1.57 (40) | 1.30 (33) | .14 (3.5) | 1.59 (40.5) |
| E | E ₁ | E ₂ | E ₃ | F |
| 1.47 (16) | .31 (8) | 1.42 (36) | .33 (8.5) | .63 (16) |
| F ₁ | G | H | H ₁ | H ₂ |
| .67 (17) | .59 (15) | .87 (22) | .31 (8) | .24 (6) |
| J | J ₁ | M | N | N ₁ |
| .63 (16) | .12 (3) | .63 (16) | .12 (3) | .43 (11) |
| P | P ₁ | | | |
| Ø .17 Ø (4.3) | Ø .12 Ø (3.1) | | | |

Inches (mm)

P2LAX 3/2 Single & Double Operators – IEM Aluminum Bar Manifold

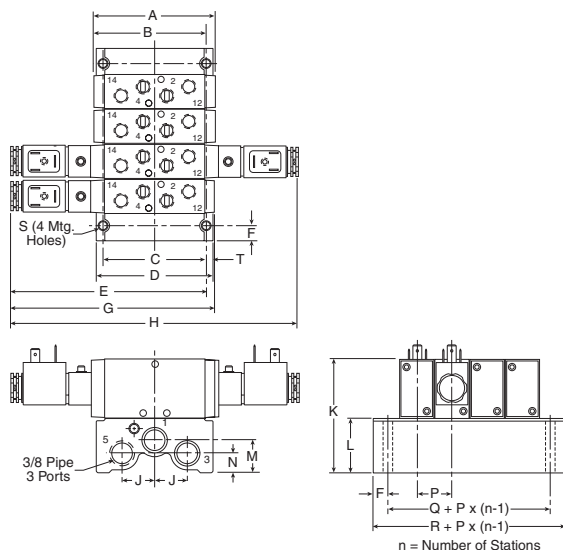


**P2LAX 3/2
IEM Aluminum bar manifold**

| A | B | C | D | E |
|--------------|------------------|---------------|---------------|----------------|
| 3.07 (78) | 2.83 (72) | 2.76 (70) | 3.12 (79) | 5.18 (132) |
| F | G | H | J | K |
| 41 (10.5) | 5.35 (136) | 7.72 (193) | .87 (22) | 3.11 (79) |
| L | M | N | P | Q |
| 1.54 (39) | .87 (22) | .52 (13.2) | .93 (23.5) | 1.56 (39.5) |
| R | S | T | | |
| 2.36 (60) | Ø .22 Ø (5.5) | .18 (4.5) | | |

Inches (mm)

P2LAX 5/2 & 5/3 Single & Double Operators – IEM Aluminum Bar Manifold



**P2LAX 5/2 & 5/3
IEM Aluminum bar manifold**

| A | B | C | D | E |
|--------------|------------------|---------------|---------------|----------------|
| 3.19 (81) | 2.97 (76) | 2.76 (70) | 3.12 (79) | 5.26 (134) |
| F | G | H | J | K |
| 41 (10.5) | 5.47 (139) | 7.72 (196) | .87 (22) | 3.11 (79) |
| L | M | N | P | Q |
| 1.54 (39) | .87 (22) | .52 (13.2) | .93 (23.5) | 1.56 (39.5) |
| R | S | T | | |
| 2.36 (60) | Ø .22 Ø (5.5) | .18 (4.5) | | |

Inches (mm)



Viking Lite Series

Viking Xtreme Series

B Series

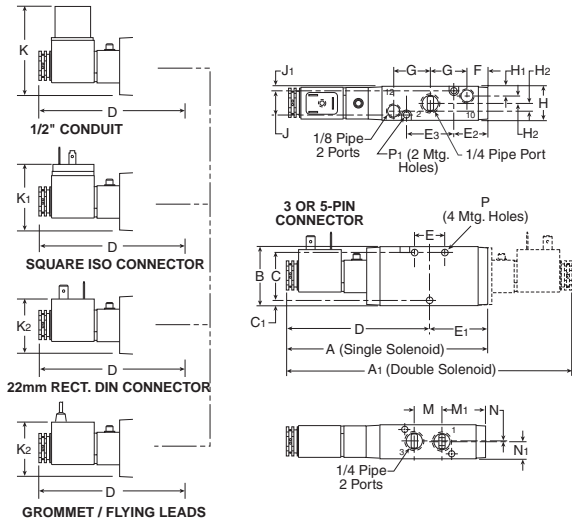
ADEX Series

N Series

D

Inline Valve Products

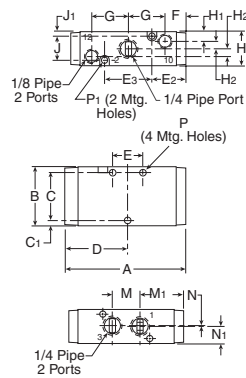
P2LBX 3/2 Single & Double Operators – Solenoid



P2LBX 3/2 (solenoid)

| A | A ₁ | B | C | C ₁ |
|--|----------------|----------------|----------------|----------------|
| 5.35 (136) | 7.60 (193) | 1.57 (40) | 1.26 (32) | .16 (4) |
| D | E | E ₁ | E ₂ | E ₃ |
| 3.80 (96.5) | .79 (20) | 1.54 (39) | .51 (13) | 1.26 (32) |
| F | G | H | H ₁ | H ₂ |
| .55 (14) | .98 (25) | .87 (22) | .26 (6.6) | .18 (4.5) |
| J | J ₁ | K | K ₁ | K ₂ |
| .65 (16.5) | .11 (2.9) | 2.36 (60) | 1.61 (41) | 1.50 (38) |
| M | M ₁ | N | N ₁ | P |
| .79 (20) | 1.14 (29) | .02 (0.5) | .42 (11) | Ø .17 (4.3) |
| P₁ Ø .12 Ø (3.1) | | | | |
| Inches (mm) | | | | |

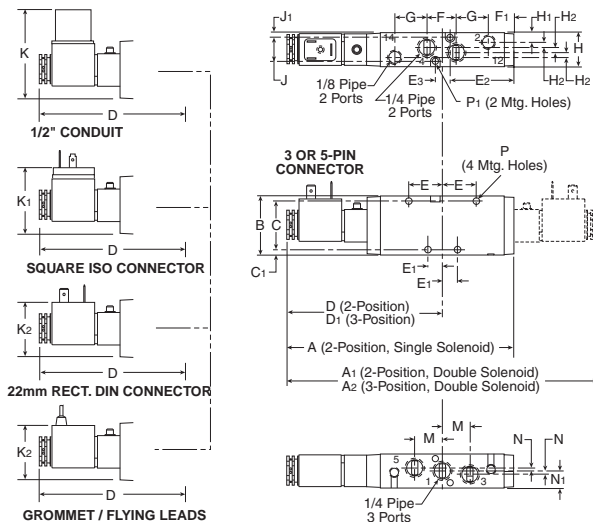
P2LBX 3/2 Single & Double Operators – Remote Pilot



P2LBX 3/2 (remote)

| A | B | C | C ₁ | D |
|--|----------------|----------------|----------------|----------------|
| 3.08 (78) | 1.57 (40) | 1.26 (32) | .16 (4) | 1.54 (39) |
| E | E ₂ | E ₃ | F | G |
| .79 (20) | .51 (13) | 1.26 (32) | .55 (14) | .98 (25) |
| H | H ₁ | H ₂ | J | J ₁ |
| .87 (22) | .26 (6.6) | .18 (4.5) | .65 (16.5) | .11 (2.9) |
| M | M ₁ | N | N ₁ | P |
| .79 (20) | 1.14 (29) | .02 (0.5) | .42 (11) | Ø .17 (4.3) |
| P₁ Ø .12 Ø (3.1) | | | | |
| Inches (mm) | | | | |

P2LBX 5/2 & 5/3 Single & Double Operators – Solenoid



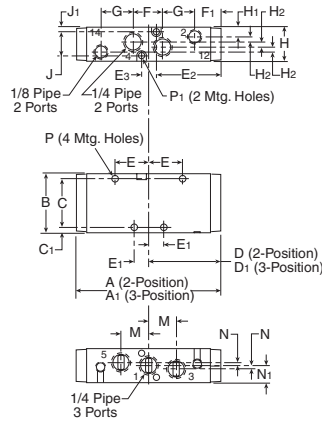
P2LBX 5/2 & 5/3 (solenoid)

| A | A ₁ | A ₂ | B | C |
|----------------|------------------|------------------|----------------|----------------|
| 6.14 (156) | 8.39 (213) | 9.23 (235) | 1.57 (40) | 1.26 (32) |
| C ₁ | D | D ₁ | E | E ₁ |
| .16 (4) | 4.21 (107) | 4.64 (118) | .91 (23) | .39 (10) |
| E ₂ | E ₃ | F | F ₁ | G |
| 1.73 (44) | .39 (10) | .79 (20) | .67 (17) | .87 (22) |
| H | H ₁ | H ₂ | J | J ₁ |
| .87 (22) | .26 (6.6) | .12 (3) | .65 (16.5) | .12 (3) |
| K | K ₁ | K ₂ | M | N |
| 2.36 (60) | 1.61 (41) | 1.50 (38) | .79 (20) | .08 (2) |
| N ₁ | P | P ₁ | | |
| .43 (11) | Ø .17 Ø (4.3) | Ø .12 Ø (3.1) | | |
| Inches (mm) | | | | |



Viking Lite Series
 Viking Xtreme Series
 B Series
 ADEX Series
 N Series
 D Inline Valve Products

P2LBX 5/2 & 5/3 Single & Double Operators – Remote Pilot

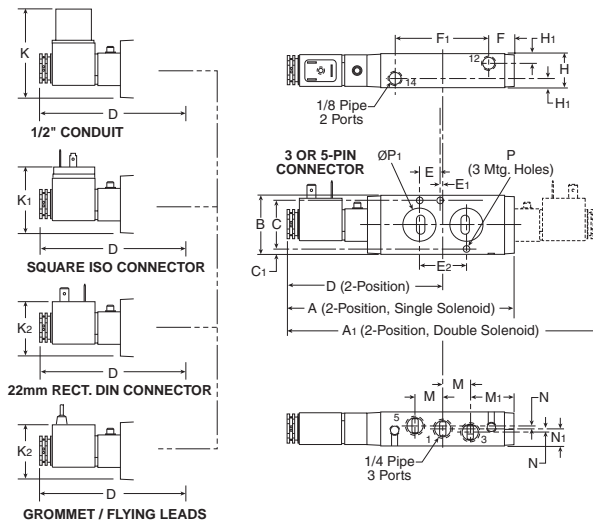


P2LBX 5/2 & 5/3 (remote)

| A | A1 | B | C | C1 |
|---------------|---------------|---------------|------------------|------------------|
| 3.95 (100) | 4.61 (117) | 1.57 (40) | 1.26 (32) | .16 (4) |
| D | D1 | E | E1 | E2 |
| 1.93 (49) | 2.28 (58) | .91 (23) | .39 (10) | 1.73 (44) |
| E3 | F | F1 | G | H |
| .39 (10) | .79 (20) | .67 (17) | .87 (22) | .8 (22) |
| H1 | H2 | J | J1 | K |
| .26 (6.6) | .12 (3) | .65 (16.5) | .11 (2.8) | 2.90 (74) |
| M | N | N1 | P | P1 |
| .79 (20) | .08 (2) | .43 (11) | Ø .17 Ø (4.3) | Ø .12 Ø (3.1) |

Inches (mm)

P2LBX 5/2 Single & Double Operators – Solenoid _ NAMUR

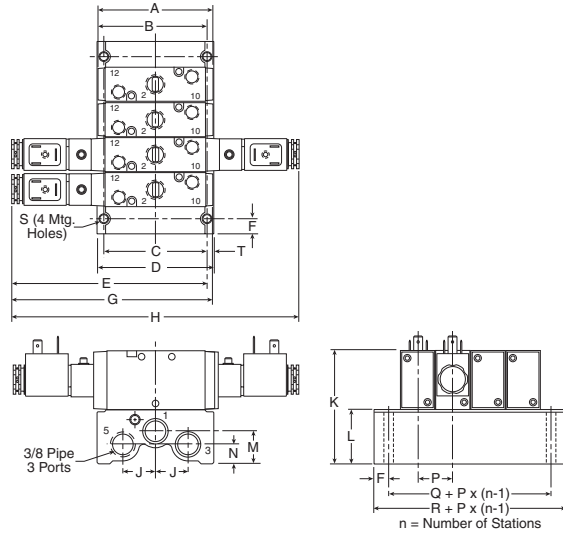


P2LBX 5/2 (NAMUR)

| A | A1 | B | C | C1 |
|---------------|---------------|------------------|-------------------|--------------|
| 6.15 (156) | 8.39 (213) | 1.57 (40) | 1.26 (32) | .16 (4) |
| D | E | E1 | E2 | F |
| 4.21 (107) | .47 (12) | .08 (2) | .94 (24) | .67 (17) |
| F1 | H | H1 | M | M1 |
| 2.52 (64) | .87 (22) | .26 (6.6) | .79 (20) | 1.14 (29) |
| N | N1 | P | P1 | |
| .08 (2) | .43 (11) | Ø .22 Ø (5.5) | Ø .76 Ø (19.4) | |

Inches (mm)

P2LBX 3/2 Single & Double Operators – IEM Aluminum Bar Manifold



**P2LBX 3/2
IEM Aluminum bar manifold**

| A | B | C | D | E |
|--------------|--------------|--------------|--------------|---------------|
| 3.86 (78) | 2.91 (74) | 2.76 (70) | 3.12 (79) | 5.17 (131) |

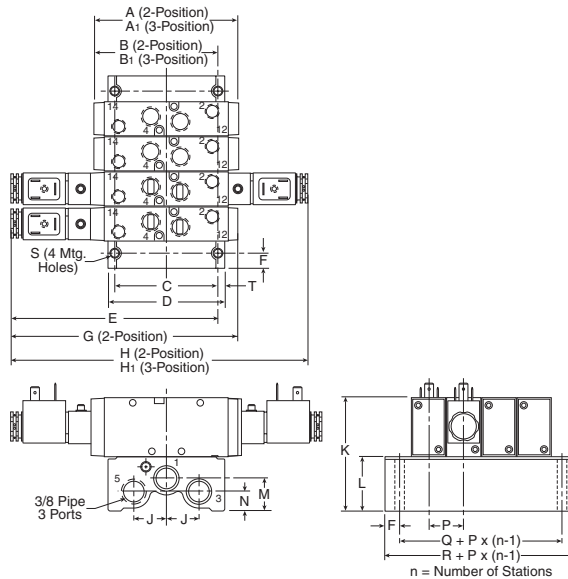
| F | G | H | J | K |
|---------------|---------------|--------------|-------------|--------------|
| .40 (10.2) | 5.33 (136) | 7.6 (193) | .87 (22) | 3.11 (79) |

| L | M | N | P | Q |
|--------------|-------------|---------------|---------------|----------------|
| 1.47 (37) | .87 (22) | .52 (13.2) | .93 (23.5) | 1.56 (39.6) |

| R | S | T |
|--------------|----------------|--------------|
| 2.36 (60) | Ø .22 (5.5) | .18 (4.6) |

Inches (mm)

P2LBX 5/2 & 5/3 Single & Double Operators – IEM Aluminum Bar Manifold



**P2LBX 5/2 & 5/3
IEM Aluminum bar manifold**

| A | A ₁ | B | B ₁ | C |
|--------------|----------------|--------------|----------------|--------------|
| 3.86 (98) | 4.70 (120) | 3.42 (84) | 3.73 (95) | 2.76 (70) |

| D | E | F | G | H |
|--------------|---------------|---------------|---------------|---------------|
| 3.12 (79) | 5.59 (142) | .40 (10.2) | 6.14 (156) | 8.39 (213) |

| H ₁ | J | K | L | M |
|----------------|-------------|--------------|--------------|-------------|
| 9.23 (235) | .87 (22) | 3.11 (79) | 1.47 (37) | .87 (22) |

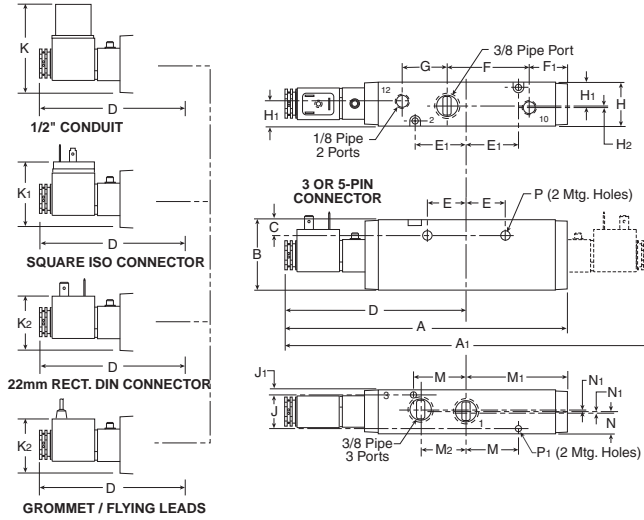
| N | P | Q | R | S |
|---------------|---------------|----------------|--------------|----------------|
| .52 (13.2) | .93 (23.5) | 1.56 (39.6) | 2.36 (60) | Ø .22 (5.5) |

| T |
|--------------|
| .18 (4.6) |

Inches (mm)

Viking Lite Series
 Viking Xtreme Series
 B Series
 ADEX Series
 N Series
 D Inline Valve Products

P2LCX 3/2 Single & Double Operators – Solenoid

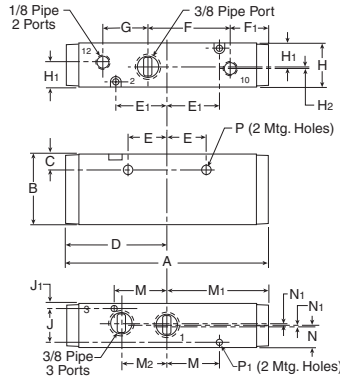


P2LCX 3/2 (solenoid)

| | | | | |
|-----------------|----------------|--------------|------------------|------------------|
| A | A1 | B | C | D |
| 7.66 (194.5) | 9.80 (249) | 1.89 (48) | .43 (11) | 4.90 (124.5) |
| E | E1 | F | F1 | G |
| 1.04 (26.5) | 1.40 (35.5) | 2.24 (57) | 1.02 (26) | 1.22 (31) |
| H | H1 | H2 | J | J1 |
| 1.18 (30) | .67 (17) | .02 (0.5) | .91 (23) | .14 (3.5) |
| K | K1 | K2 | M | M1 |
| 2.52 (64) | 1.77 (45) | 1.65 (42) | 1.40 (35.5) | 2.76 (70) |
| M2 | N | N1 | P | P1 |
| 1.18 (30) | .55 (14) | .04 (1) | Ø .27 Ø (6.9) | Ø .17 Ø (4.4) |

Inches (mm)

P2LCX 3/2 Single & Double Operators – Remote Pilot



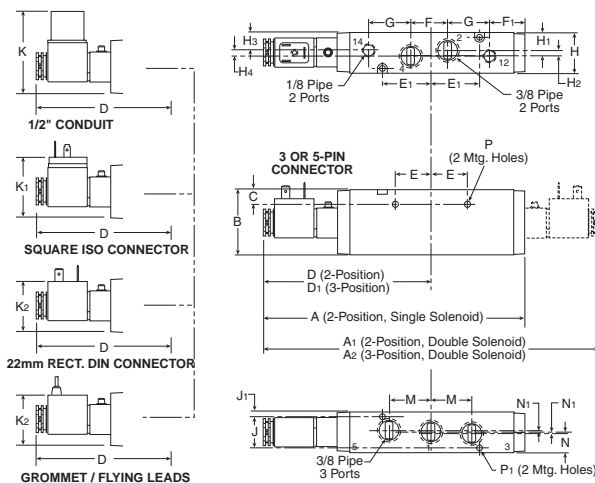
P2LCX 3/2 (remote)

| | | | | |
|----------------|--------------|--------------|--------------|------------------|
| A | B | C | D | E |
| 5.51 (140) | 1.89 (48) | .43 (11) | 2.76 (70) | 1.04 (26.5) |
| E1 | F | F1 | G | H |
| 1.40 (35.5) | 2.24 (57) | 1.02 (26) | 1.22 (31) | 1.18 (30) |
| H1 | H2 | J | J1 | M |
| .67 (17) | .02 (0.5) | .91 (23) | .14 (3.5) | 1.40 (35.5) |
| M1 | M2 | N | N1 | P |
| 2.76 (70) | 1.18 (30) | .55 (14) | .04 (1) | Ø .27 Ø (6.9) |

P1
Ø .17
Ø (4.4)

Inches (mm)

P2LCX 5/2 & 5/3 Single & Double Operators – Solenoid



P2LCX 5/2 & 5/3 (solenoid)

| | | | | |
|---------------|---------------|----------------|----------------|--------------|
| A | A1 | A2 | B | C |
| 7.68 (195) | 9.84 (250) | 10.71 (272) | 1.89 (48) | .43 (11) |
| D | D1 | E | E1 | F |
| 4.92 (125) | 5.35 (136) | 1.04 (26.5) | 1.40 (35.5) | 1.06 (27) |
| F1 | G | H | H1 | H2 |
| 1.02 (26) | 1.22 (31) | 1.18 (30) | .53 (13.5) | .12 (3) |
| H3 | H4 | J | J1 | K |
| .51 (13) | .16 (4) | .91 (23) | .14 (3.5) | 2.52 (64) |
| K1 | K2 | M | N | N1 |
| 1.77 (45) | 1.65 (42) | 1.18 (30) | .55 (14) | .04 (1) |

P **P1**
Ø .27 Ø .17
Ø (6.9) Ø (4.4)

Inches (mm)



Viking Lite Series

Viking Xtreme Series

B Series

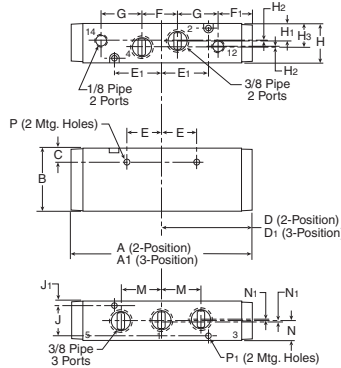
ADEX Series

N Series

D

Inline Valve Products

P2LCX 5/2 & 5/3 Single & Double Operators – Remote Pilot

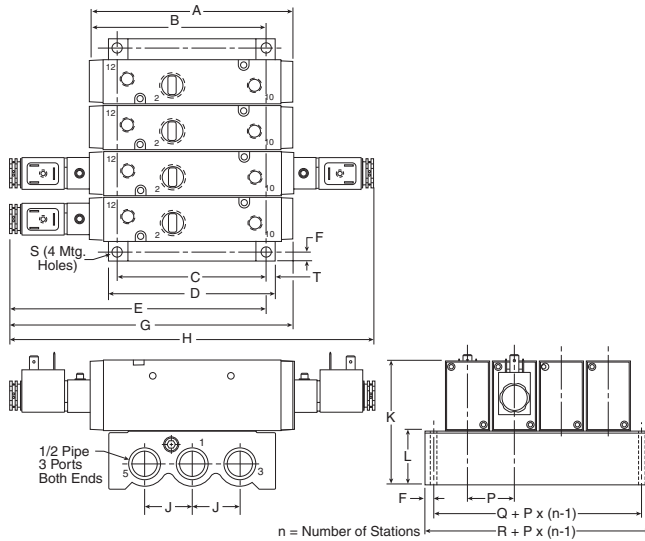


P2LCX 5/2 & 5/3 (remote)

| A | A ₁ | B | C | D |
|------------------|------------------|----------------|----------------|----------------|
| 5.51 (140) | 6.38 (162) | 1.89 (48) | .43 (11) | 2.76 (70) |
| D ₁ | E | E ₁ | F | F ₁ |
| 3.18 (81) | 1.04 (26.5) | 1.40 (35.5) | 1.06 (27) | 1.02 (26) |
| G | H | H ₁ | H ₂ | H ₃ |
| 1.22 (31) | 1.18 (30) | .51 (13) | .02 (0.5) | .12 (3) |
| J | J ₁ | M | N | N ₁ |
| .91 (23) | .14 (3.5) | 1.18 (30) | .55 (14) | .04 (1) |
| P | P ₁ | | | |
| Ø .27 Ø (6.9) | Ø .17 Ø (4.4) | | | |

Inches (mm)

P2LCX 3/2 Single & Double Operators – IEM Aluminum Bar Manifold



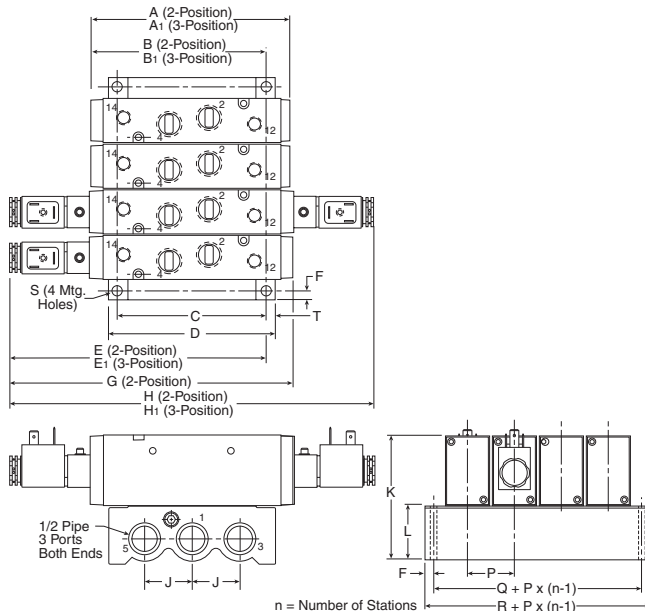
P2LCX 3/2

IEM Aluminum bar manifold

| A | B | C | D | E |
|---------------|-----------------|---------------|---------------|------------------|
| 5.51 (140) | 4.96 (126) | 3.94 (100) | 4.41 (112) | 7.11 (180.5) |
| F | G | H | J | K |
| .24 (6) | 7.66 (194.5) | 9.80 (249) | 1.26 (32) | 3.43 (87) |
| L | P | Q | R | S |
| 1.54 (39) | 1.24 (31.5) | 1.77 (45) | 2.24 (57) | Ø .26 Ø (6.5) |
| T | | | | |
| .24 (6) | | | | |

Inches (mm)

P2LCX 5/2 & 5/3 Single & Double Operators – IEM Aluminum Bar Manifold



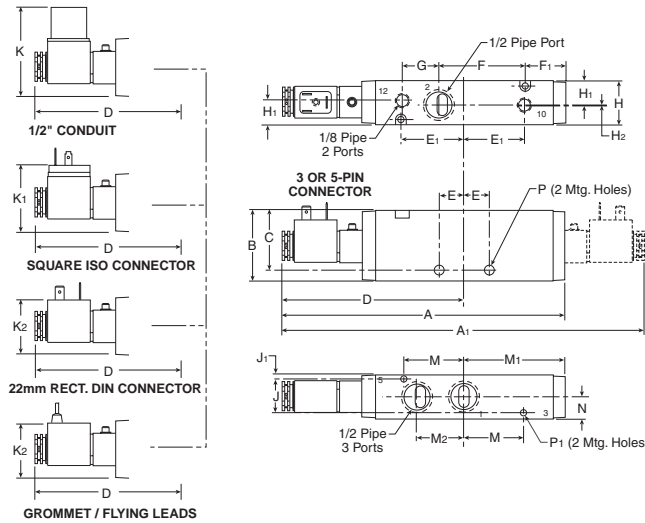
P2PCX 5/2 & 5/3

IEM Aluminum bar manifold

| A | A ₁ | B | B ₁ | C |
|----------------|----------------|----------------|------------------|---------------|
| 5.51 (140) | 6.38 (162) | 4.72 (120) | 5.16 (131) | 3.94 (100) |
| D | E | E ₁ | F | G |
| 4.41 (112) | 6.89 (170) | 7.13 (181) | .24 (6) | 7.68 (195) |
| H | H ₁ | J | K | L |
| 9.84 (250) | 10.71 (272) | 1.26 (32) | 3.43 (87) | 1.54 (39) |
| P | Q | R | S | T |
| 1.24 (31.5) | 1.77 (45) | 2.24 (57) | Ø .26 Ø (6.5) | .24 (6) |

Inches (mm)

P2LDX 3/2 Single & Double Operators – Solenoid

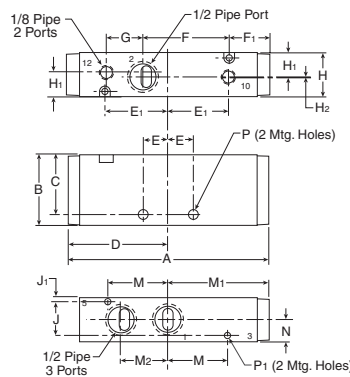


P2LDX 3/2 (solenoid)

| A | A ₁ | B | C | D |
|-----------------|----------------|------------------|------------------|-----------------|
| 7.66 (194.5) | 9.80 (249) | 1.89 (48) | 1.59 (40.5) | 4.90 (124.5) |
| E | E ₁ | F | F ₁ | G |
| .67 (17) | 1.65 (42) | 2.36 (60) | 1.08 (27.5) | .98 (25) |
| H | H ₁ | H ₂ | J | J ₁ |
| 1.18 (30) | .67 (17) | .02 (0.5) | .91 (23) | .14 (3.5) |
| K | K ₁ | K ₂ | M | M ₁ |
| 2.52 (64) | 1.77 (45) | 1.65 (42) | 1.65 (42) | 2.76 (70) |
| M ₂ | N | P | P ₁ | |
| 1.30 (33) | .59 (15) | Ø .26 Ø (6.6) | Ø .17 Ø (4.4) | |

Inches (mm)

P2LDX 3/2 Single & Double Operators – Remote Pilot

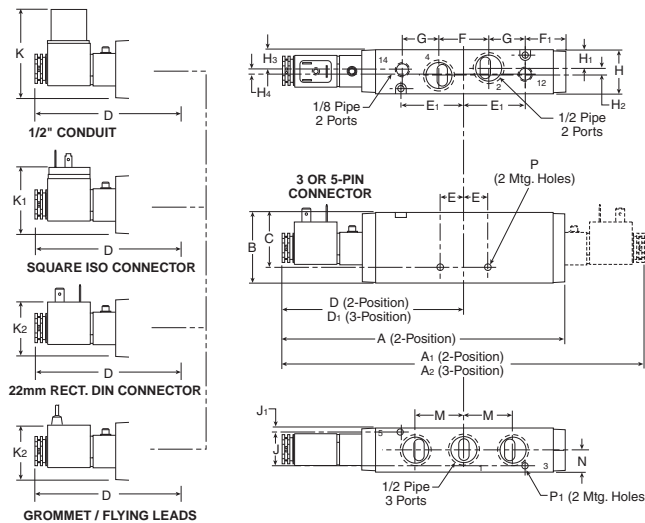


P2LDX 3/2 (remote)

| A | B | C | D | E |
|----------------|----------------|----------------|------------------|------------------|
| 5.51 (140) | 1.89 (48) | 1.59 (40.5) | 2.76 (70) | .67 (17) |
| E ₁ | F | F ₁ | G | H |
| 1.65 (42) | 2.36 (60) | 1.08 (27.5) | .98 (25) | 1.18 (30) |
| H ₁ | H ₂ | J | J ₁ | M |
| .67 (17) | .02 (0.5) | .91 (23) | .14 (3.5) | 1.65 (42) |
| M ₁ | M ₂ | N | P | P ₁ |
| 2.76 (70) | 1.30 (33) | .59 (15) | Ø .26 Ø (6.6) | Ø .17 Ø (4.4) |

Inches (mm)

P2LDX 5/2 & 5/3 Single & Double Operators – Solenoid



P2LDX 5/2 & 5/3 (solenoid)

| A | A ₁ | A ₂ | B | C |
|----------------|----------------|----------------|----------------|------------------|
| 7.67 (195) | 9.84 (250) | 10.7 (272) | 1.89 (48) | 1.59 (40.5) |
| D | D ₁ | E | E ₁ | F |
| 4.92 (125) | 5.79 (147) | .67 (17) | 1.65 (42) | 1.34 (34) |
| F ₁ | G | H | H ₁ | H ₂ |
| 1.10 (28) | .98 (25) | 1.18 (30) | .49 (12.5) | .20 (5) |
| H ₃ | H ₄ | J | J ₁ | K |
| .51 (13) | .16 (4) | .91 (23) | .14 (3.5) | 2.52 (64) |
| K ₁ | K ₂ | M | N | P |
| 1.77 (45) | 1.65 (42) | 1.30 (33) | .59 (15) | Ø .26 Ø (6.6) |

P₁
 Ø .17
 Ø (4.4)

Inches (mm)



Viking Lite Series

Viking Xtreme Series

B Series

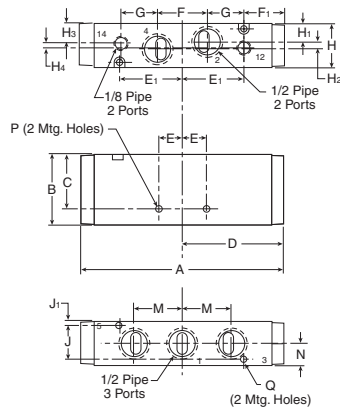
ADEX Series

N Series

D

Inline Valve Products

P2LDX 5/2 & 5/3 Single & Double Operators – Remote Pilot



P2LDX 5/2 & 05/3 (remote)

| A | B | C | D | E |
|---------------|------------------|----------------|--------------|------------------|
| 5.47 (139) | 1.89 (48) | 1.59 (40.5) | 2.63 (67) | .67 (17) |
| E1 | F | F1 | G | H |
| 1.65 (42) | 1.34 (34) | 1.08 (27.5) | .98 (25) | 1.18 (30) |
| H1 | H2 | H3 | H4 | J |
| .49 (12.5) | .20 (5) | .51 (13) | .16 (4) | .91 (23) |
| J1 | P | M | N | Q |
| .14 (3.5) | Ø .26 Ø (6.6) | 1.29 (32.7) | .59 (15) | Ø .17 Ø (4.4) |

Inches (mm)

- Viking Lite Series
- Viking Xtreme Series
- B Series
- ADEX Series
- N Series
- D
- Inline Valve Products

B Series

B Series, an exceptional performing industrial valve in a compact size with an enhanced flow range.

Available in solenoid pilot operated and remote air pilot models. The B series features Parker's proven WCS (Wear Compensating Seal) system ensuring long life and fast response, making it ideally suited for OEM applications.

Ports

- B3: 1/8, 1/4 inch
- B5: 1/4, 3/8 inch
- B6: 3/8 inch
- B7: 1/2 inch
- B8: 3/4 inch

Mounting

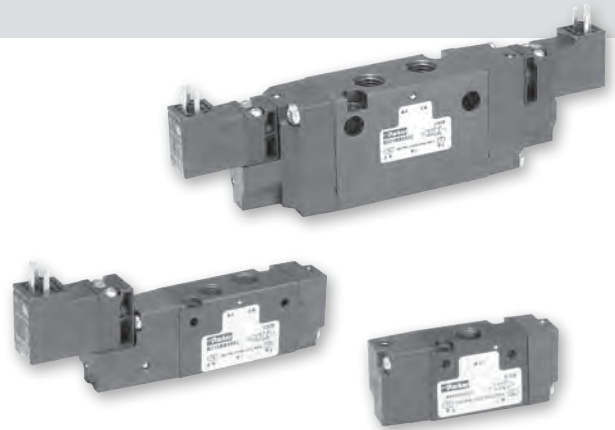
- Inline
- Subbase
- IEM stackable base
- IEM aluminum bar
- 5-port subbase aluminum bar

Solenoids

- 1.2 W – 15mm, 3-pin EN175301-803
- 2.5 to 7.3 watt - conduit, grommet, 22mm & 30mm, 3-pin DIN (433650)
- 12VDC to 240VAC
- Female DIN electrical connectors

Certification / Approval

- Approved to be CE marked
- IP65 rated
- CSA, C/US



Operating information

| | |
|------------------------|---------------------------------------|
| Operating pressure: | Vacuum to 145 PSIG (Vacuum to 10 bar) |
| Minimum: | See chart below |
| CSA-NRTL/C: | See chart below |
| Operating temperature: | 5°F to 120°F (-15°C to 49°C) |

Material specifications

| | |
|----------|----------------------------------|
| Body | Anodized aluminum |
| End caps | Nylon polymer - 33% glass filled |
| Seals | Nitrile |
| Solenoid | Polyamide |
| Spool | Aluminum |

Minimum operating pressure

| Operator / function | Internal pilot | Minimum PSIG (kPa) | | | | |
|---------------------|--|--------------------|----------|----------|----------|----------|
| | | B3 | B5 | B6 | B7 | B8 |
| 1. G. H | Single solenoid - air return | | | | | |
| 2. A. J. S | Double solenoid | 20 (138) | 20 (138) | 20 (138) | 35 (241) | 35 (241) |
| 3. K. L | Single remote pilot - air return | | | | | |
| 4. M | Double remote pilot | Vacuum | | | | |
| 5. 6. 7 | Double solenoid - APB, CE, PC | 30 (207) | 30 (207) | 30 (207) | 45 (310) | 45 (310) |
| 8. 9. 0 | Double remote pilot - APB, CE, PC | Vacuum | | | | |
| E. V. W | Single solenoid - air return / spring assist | 35 (241) | 35 (241) | 35 (241) | 35 (241) | 35 (241) |
| F. X. Y | Single remote pilot - air return / spring assist | 35 (241) | 35 (241) | 35 (241) | 35 (241) | 35 (241) |
| | External pilot*† | | | | | |
| All | "B" series | Vacuum | | | | |

* External Pilot Pressure / Remote Pilot Signal 35-145 PSIG (241-1000 kPa).

† Not Available with B3 Dual 3/2.

CSA-NRTL/C operating pressure

Note: For CSA-NRTL/C approved solenoid valves – insert an 'L' at the end of the valve part number.

| Valve | Maximum PSIG (kPa) |
|---------|--------------------|
| B3 | 120 (827) |
| B5 & B6 | 145 (1000)*§ |
| B7 & B7 | 145 (1000)*† |

* Enclosure Option E is CSA / FM approved at source. For certification of valve / solenoid assembly, consult factory.

† Not Available with Enclosure 5

§ Not available with Enclosures 0. 5 & X

Most popular.

Viking Lite Series

Viking Xtreme Series

B Series

ADEX Series

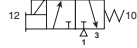
N Series

D

Inline Valve Products



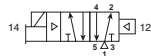
Single Solenoid, 3-way, 2-position, NC



| Symbol | Port size | Cv | Voltage | Valve type | Part number |
|--------|-----------|---------|-----------------|------------|--|
| | 1/8" | 0.75 Cv | 120VAC 24VDC | B3 Inline | B3G0BB553C B3G0BB549C |
| | 1/4" | 1.4 Cv | 120VAC 24VDC | B5 Inline | B5G1BB553C B5G1BB549C |
| | 3/8" | 1.4 Cv | 120VAC 24VDC | B5 Inline | B5G2BB553C B5G2BB549C |
| | 3/8" | 2.7 Cv | 120VAC 24VDC | B6 Inline | B6V2BB553A B6V2BB549A |
| | 1/2" | 5.9 Cv | 120VAC 24VDC | B7 Inline | B7V3BB553A B7V3BB549A |
| | 3/4" | 7.0 Cv | 120VAC 24VDC | B8 Inline | B8V4BB553A B8V4BB549A |

B3 shown, 3-Pin DIN 43650C electrical connection. Non-locking flush override.

Single Solenoid, 4-way, 2-position



| Symbol | Port size | Cv | Voltage | Valve type | Part number |
|--------|-----------|---------|-----------------|------------|--|
| | 1/8" | 0.75 Cv | 120VAC 24VDC | B3 Inline | B310BB553C B310BB549C |
| | 1/4" | 1.4 Cv | 120VAC 24VDC | B5 Inline | B511BB553C B511BB549C |
| | 3/8" | 1.4 Cv | 120VAC 24VDC | B5 Inline | B512BB553C B512BB549C |
| | 3/8" | 2.7 Cv | 120VAC 24VDC | B6 Inline | B612BB553A B612BB549A |
| | 1/2" | 5.9 Cv | 120VAC 24VDC | B7 Inline | B713BB553A B713BB549A |
| | 3/4" | 7.0 Cv | 120VAC 24VDC | B8 Inline | B814BB553A B814BB549A |
| | Less base | 0.65 Cv | 120VAC 24VDC | B3 Subbase | B31VBB553C B31VBB549C |

B3 shown, 3-Pin DIN 43650C electrical connection. Non-locking flush override.

Double Solenoid, 4-way, 2-position



| Symbol | Port size | Cv | Voltage | Valve type | Part number |
|--------|-----------|---------|-----------------|------------|--|
| | 1/8" | 0.75 Cv | 120VAC 24VDC | B3 Inline | B320BB553C B320BB549C |
| | 1/4" | 1.4 Cv | 120VAC 24VDC | B5 Inline | B521BB553C B521BB549C |
| | 3/8" | 1.4 Cv | 120VAC 24VDC | B5 Inline | B522BB553C B522BB549C |
| | 3/8" | 2.7 Cv | 120VAC 24VDC | B6 Inline | B622BB553A B622BB549A |
| | 1/2" | 5.9 Cv | 120VAC 24VDC | B7 Inline | B723BB553A B723BB549A |
| | 3/4" | 7.0 Cv | 120VAC 24VDC | B8 Inline | B824BB553A B824BB549A |
| | Less base | 0.65 Cv | 120VAC 24VDC | B3 Subbase | B32VBB553C B32VBB549C |

B5 shown, 3-Pin DIN 43650C electrical connection. Non-locking flush override.

Viking Lite Series
Viking Xtreme Series
B Series
ADEX Series
N Series
D Inline Valve Products

Double Solenoid, 4-way, 3-position, APB



| Symbol | Port size | Cv | Voltage | Valve type | Part number |
|--------|-----------|---------|-----------------|------------|--|
| | 1/8" | 0.60 Cv | 120VAC 24VDC | B3 Inline | B350BB553C B350BB549C |
| | 1/4" | 1.1 Cv | 120VAC 24VDC | B5 Inline | B551BB553C B551BB549C |
| | 3/8" | 1.1 Cv | 120VAC 24VDC | B5 Inline | B552BB553C B552BB549C |
| | 3/8" | 2.1 Cv | 120VAC 24VDC | B6 Inline | B652BB553A B652BB549A |
| | 1/2" | 5.7 Cv | 120VAC 24VDC | B7 Inline | B753BB553A B753BB549A |
| | 3/4" | 6.6 Cv | 120VAC 24VDC | B8 Inline | B854BB553A B854BB549A |
| | Less base | 0.50 Cv | 120VAC 24VDC | B3 Subbase | B35VBB553C B35VBB549C |

B5 shown, 3-Pin DIN 43650C electrical connection. Non-locking flush override.

Double Solenoid, 4-way, 3-position, CE



| Symbol | Port size | Cv | Voltage | Valve type | Part number |
|--------|-----------|---------|-----------------|------------|--|
| | 1/8" | 0.60 Cv | 120VAC 24VDC | B3 Inline | B360BB553C B360BB549C |
| | 1/4" | 1.1 Cv | 120VAC 24VDC | B5 Inline | B561BB553C B561BB549C |
| | 3/8" | 1.1 Cv | 120VAC 24VDC | B5 Inline | B562BB553C B562BB549C |
| | 3/8" | 2.1 Cv | 120VAC 24VDC | B6 Inline | B662BB553A B662BB549A |
| | 1/2" | 5.7 Cv | 120VAC 24VDC | B7 Inline | B763BB553A B763BB549A |
| | 3/4" | 6.6 Cv | 120VAC 24VDC | B8 Inline | B864BB553A B864BB549A |
| | Less base | 0.50 Cv | 120VAC 24VDC | B3 Subbase | B36VBB553C B36VBB549C |

B5 shown, 3-Pin DIN 43650C electrical connection. Non-locking flush override.

Double Solenoid, 4-way, 3-position, PC



| Symbol | Port size | Cv | Voltage | Valve type | Part number |
|--------|-----------|---------|-----------------|------------|--|
| | 1/8" | 0.60 Cv | 120VAC 24VDC | B3 Inline | B370BB553C B370BB549C |
| | 1/4" | 1.1 Cv | 120VAC 24VDC | B5 Inline | B571BB553C B571BB549C |
| | 3/8" | 1.1 Cv | 120VAC 24VDC | B5 Inline | B572BB553C B572BB549C |
| | 3/8" | 2.1 Cv | 120VAC 24VDC | B6 Inline | B672BB553A B672BB549A |
| | 1/2" | 5.7 Cv | 120VAC 24VDC | B7 Inline | B773BB553A B773BB549A |
| | 3/4" | 6.6 Cv | 120VAC 24VDC | B8 Inline | B874BB553A B874BB549A |
| | Less base | 0.50 Cv | 120VAC 24VDC | B3 Subbase | B37VBB553C B37VBB549C |

B5 shown, 3-Pin DIN 43650C electrical connection. Non-locking flush override.

Viking Lite Series

Viking Xtreme Series

B Series

ADEX Series

N Series

D

Inline Valve Products

Single Remote Pilot, 3-way, 2-position, NC



| Symbol | Port size | Cv | Valve type | Part number |
|--------|-----------|---------|--------------------------|-------------------|
| | 1/8" | 0.75 Cv | B3 Inline, remote pilot | B3K000XXC |
| | 1/4" | 1.4 Cv | B5 Inline, remote pilot | B5K1000XXC |
| | 3/8" | 1.4 Cv | B5 Inline, remote pilot | B5K2000XXC |
| | 3/8" | 2.7 Cv | B6 Inline, remote pilot | B6X2000XXA |
| | 1/2" | 5.9 Cv | B7 Inline, remote pilot | B7X3000XXA |
| | 3/4" | 7.0 Cv | B8 Inline, remote pilot | B8X4000XXA |
| | Less base | 0.65 Cv | B3 Subbase, remote pilot | B33V000XXC |

B3 Shown, M5 remote pilot ports

Single Remote Pilot, 4-way, 2-position



| Symbol | Port size | Cv | Valve type | Part number |
|--------|-----------|---------|--------------------------|-------------------|
| | 1/8" | 0.75 Cv | B3 Inline, remote pilot | B330000XXC |
| | 1/4" | 1.4 Cv | B5 Inline, remote pilot | B531000XXC |
| | 3/8" | 1.4 Cv | B5 Inline, remote pilot | B532000XXC |
| | 3/8" | 2.7 Cv | B6 Inline, remote pilot | B632000XXA |
| | 1/2" | 5.9 Cv | B7 Inline, remote pilot | B733000XXA |
| | 3/4" | 7.0 Cv | B8 Inline, remote pilot | B834000XXA |
| | Less base | 0.65 Cv | B3 Subbase, remote pilot | B33V000XXC |

B5 Shown, M5 remote pilot ports

Double Remote Pilot, 4-way, 2-position



| Symbol | Port size | Cv | Valve type | Part number |
|--------|-----------|---------|--------------------------|-------------------|
| | 1/8" | 0.75 Cv | B3 Inline, remote pilot | B340000XXC |
| | 1/4" | 1.4 Cv | B5 Inline, remote pilot | B541000XXC |
| | 3/8" | 1.4 Cv | B5 Inline, remote pilot | B542000XXC |
| | 3/8" | 2.7 Cv | B6 Inline, remote pilot | B642000XXA |
| | 1/2" | 5.9 Cv | B7 Inline, remote pilot | B743000XXA |
| | 3/4" | 7.0 Cv | B8 Inline, remote pilot | B844000XXA |
| | Less base | 0.65 Cv | B3 Subbase, remote pilot | B34V000XXC |

B5 Shown, M5 remote pilot ports

Double Remote Pilot, 4-way, 3-position, APB



| Symbol | Port size | Cv | Valve type | Part number |
|--------|-----------|---------|--------------------------|-------------------|
| | 1/8" | 0.60 Cv | B3 Inline, remote pilot | B380000XXC |
| | 1/4" | 1.1 Cv | B5 Inline, remote pilot | B581000XXC |
| | 3/8" | 1.1 Cv | B5 Inline, remote pilot | B582000XXC |
| | 3/8" | 2.1 Cv | B6 Inline, remote pilot | B682000XXA |
| | 1/2" | 5.7 Cv | B7 Inline, remote pilot | B783000XXA |
| | 3/4" | 6.6 Cv | B8 Inline, remote pilot | B884000XXA |
| | Less Base | 0.50 Cv | B3 Subbase, remote pilot | B38V000XXC |

B5 Shown, M5 remote pilot ports

Viking Lite Series
 Viking Xtreme Series
 B Series
 ADEX Series
 N Series
 D Inline Valve Products

B3 Subbase Side Ported Subbase Manifold, Subbase Valves Only



| Valve series | Valve function | ## – Stations | Manifold only (NPT) | Manifold only (BSPP) |
|--------------|----------------|---------------|---------------------|----------------------|
| B3 | 4-way | 02 to 12 | PSJ3B1N##NP | PSJ3B1G##NP |

Kits include: (1) manifold, valve hold down bolts, gaskets. For external pilot valve option "X", external manifold galley must be pressurized. Replace ## with number of valve stations.

B3 Subbase Side Ported Subbase Manifold Add-A-Fold Assembly



| Valve series | Valve function | ## – Stations | Manifold assembly (NPT) | Manifold assembly (BSPP) |
|--------------|----------------|---------------|-------------------------|--------------------------|
| B3 | 4-way | 02 to 12 | AAPSJ3B1N##NP | AAPSJ3B1G##GP |

Kits include: (1) manifold, valve hold down bolts, gaskets and assembly. For external pilot valve option "X", external manifold galley must be pressurized.

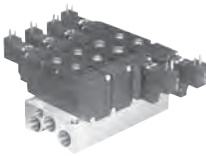
IEM Bar Manifold, Inline Valves Only



| Valve series | Valve function | ## – Stations | Manifold only (NPT) | Manifold only (BSPP) |
|--------------|----------------|---------------|---------------------|----------------------|
| B3 | 3-way | 02 to 12 | PSG3BXN##NP | PSG3BXG##NP |
| B3 | 4-way | 02 to 12 | PSM3BXN##NP | PSM3BXG##NP |
| B5 | 3-way | 02 to 12 | PSG5BXN##NP | PSG5BXG##NP |
| B5 | 4-way | 02 to 12 | PSM5BXN##NP | PSM5BXG##NP |
| B6 | 3-way | 02 to 12 | PSG6BXN##NP | PSG6BXG##NP |
| B6 | 4-way | 02 to 12 | PSM6BXN##NP | PSM6BXG##NP |
| B7, B8 | 4-way | 02 to 12 | PSM7BXN##NP | PSM7BXG##NP |

Kits include: (1) manifold, valve hold down bolts, gaskets. For external pilot valve option "X", external manifold galley must be pressurized.

IEM Bar Manifold Add-A-Fold Assembly



| Valve series | Valve function | ## – Stations | Manifold assembly (NPT) | Manifold assembly (BSPP) |
|--------------|----------------|---------------|-------------------------|--------------------------|
| B3 | 3-way | 02 to 12 | AAPSG3BXN##NP | AAPSG3BXG##NP |
| B3 | 4-way | 02 to 12 | AAPSM3BXN##NP | AAPSM3BXG##NP |
| B5 | 3-way | 02 to 12 | AAPSG5BXN##NP | AAPSG5BXG##NP |
| B5 | 4-way | 02 to 12 | AAPSM5BXN##NP | AAPSM5BXG##NP |
| B6 | 3-way | 02 to 12 | AAPSG6BXN##NP | AAPSG6BXG##NP |
| B6 | 4-way | 02 to 12 | AAPSM6BXN##NP | AAPSM6BXG##NP |
| B7, B8 | 4-way | 02 to 12 | AAPSM7BXN##NP | AAPSM7BXG##NP |

Kits include: (1) manifold, valve hold down bolts, gaskets and assembly. For external pilot valve option "X", external manifold galley must be pressurized.

How to Order: 1. List Add-A-Fold Assembly Part Number as line item 1

2. List the desired valves series part number in subsequent line items after the Add-A-Fold Assembly part number to complete the ordering code. Include all valves and blanking kits required. The left most station is station # 1 looking at the #12 end of the manifold.

Example: B3, 4-way manifold with station #1 blanked off with valves assembled

| Line | Qty | Part number | Comment |
|------|-----|---------------|-------------------------|
| 1 | 1 | AAPSM3BXN03NP | Add-A-Fold Assembly |
| 2 | 1 | PS2920P | Blank Plate - station 1 |
| 3 | 2 | B3100BB549C | 4-way B3 - station 2, 3 |

Viking Lite Series
 Viking Xtreme Series
 B Series
 ADEX Series
 N Series
 D
 Inline Valve Products

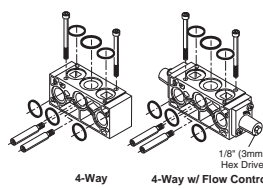
Parker Pneumatic

B Series Subbases & Accessories

IEM Stackable Manifolds

- Individual Manifold Bases stack together to form lightweight custom length manifold system.
- Easy-to-connect male / female tie rods for modular assembly.
- Utilizes B3 and B5 4-way Inline Valves.
- Low-cost built-in Flow Controls with heavy-duty brass adjusting needles to control meter-out exhaust flow.
- Accessories include Isolator Plugs for pressure isolation and Universal Blanking Plates for auxiliary inlet and exhaust supply and future valve additions.

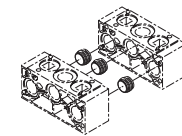
| Series | Type | Kit number | |
|--------|-------|------------|--------------|
| | | Standard | Flow control |
| B3 | 4-way | PS2917P | PS2918P |
| B5 | 4-way | PS2817P | PS2818P |



Kit includes: (1) manifold base, (2) hold-down bolts, tie-rods, gaskets and o-rings.

Isolator Plugs

| Series | Description | Kit number |
|--------|----------------------|------------|
| B3 | 4-way, IEM stackable | PS2919P |
| B5 | 4-way, IEM stackable | PS2819P |

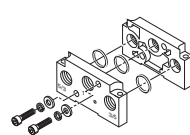


Used to isolate the #1, #3 or #5 gallery between two manifold bases. (IEM stackable only)

Kit includes: (3) plugs and (6) o-rings

End Plate Kits

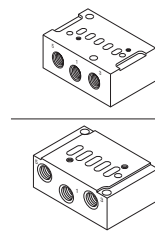
| Series | Type | Kit number |
|--------|------------|------------|
| B3 | 4-way, NPT | PS2915P |
| B5 | 4-way, NPT | PS2815P |



Kit includes: right and left end plate, o-rings, socket head cap screws, flat washers and lockwashers.

Single Subbase, Subbase Valves Only

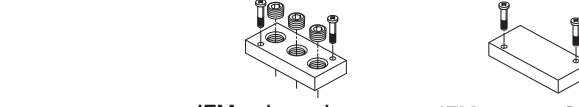
| Series | Type | Kit number |
|--------|-----------------|------------|
| B3 | 4-way, 1/4" NPT | PS2934P |
| B5 | 4-way, 3/8" NPT | PS2834P |



Kit includes: (1) subbase.
 (Hold down bolts & gasket are included with valve.)

Blanking Plate

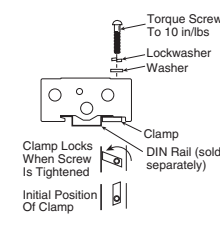
| Series | Type | IEM universal | | IEM Subbase | |
|--------|-------|---------------|----------|-------------|---------|
| | | NPT | BSPP "G" | Blank | Blank |
| B3 | 3-way | PS2966P | PS2967P | PS2968P | — |
| | 4-way | PS2920P | PS2921P | PS2969P | PS2994P |
| B5 | 3-way | PS2866P | PS2867P | PS2868P | — |
| | 4-way | PS2820P | — | PS2869P | — |
| B6 | 3-way | PS2620P | — | — | — |
| | 4-way | — | — | — | — |
| B7-B8 | 4-way | PS2520P | — | PS2569P | — |



Kit includes: (1) plate, (2) screws, seal / gaskets

DIN Rail Hardware Kit

| Valve type | IEM bar | Part number |
|------------|--|-------------|
| B3 | (2) Screws, (2) Nuts, (2) Clamps | PS2991P |



Viking Lite Series

Viking Xtreme Series

B Series

ADEX Series

N Series

D

Inline Valve Products

B3 Series

B3 1 0 B B 5 49 - C

| Basic series | |
|--------------|----|
| B3 series | B3 |

| Engineering level | |
|-------------------|---------|
| C | Current |

| Operator Function | |
|---|----------|
| 3-way | |
| Single solenoid, 2-position NC - air return | G |
| Single solenoid, 2-position NO - air return | H |
| Double solenoid, 2-position | J |
| Single remote pilot, 2-position NC - air return | K |
| Single remote pilot, 2-position NO - air return | L |
| Double remote pilot, 2-position | M |
| Single solenoid, 2-position NC - air return / spring assist | V |
| Single solenoid, 2-position NO - air return / spring assist | W |
| Single remote pilot, 2-position NC - air return / spring assist | X |
| Single remote pilot, 2-position NO - air return / spring assist | Y |
| 4-way | |
| Single solenoid, 2-position - air return | 1 |
| Double solenoid, 2-position | 2 |
| Single remote pilot, 2-position - air return | 3 |
| Double remote pilot, 2-position | 4 |
| Double solenoid, 3-position - APB | 5 |
| Double solenoid, 3-position - CE | 6 |
| Double solenoid, 3-position - PC | 7 |
| Double remote pilot, 3-position - APB | 8 |
| Double remote pilot, 3-position - CE | 9 |
| Double remote pilot, 3-position - PC | 0 |
| Single solenoid, 2-position - air return / spring assist | E |
| Single remote pilot, 2-position - air return / spring assist | F |

| Options | |
|---------|-----------------------------------|
| Blank | None |
| 02 | Solenoid rotated 180° - pins down |

| | Voltage [§] | | |
|-----------|---|------------|-----------|
| | AC | | DC |
| | 60Hz | 50Hz | |
| 42 | 24 | 22 | |
| 45 | | | 12 |
| 49 | | | 24 |
| 53 | 120 | 110 | |
| 57 | 240 | 230 | |
| XX | Remote pilot - M5 or valve less 15mm solenoid | | |
| YY | Remote pilot - 5/32" (4mm) tube | | |

| Enclosure / lead length | |
|-------------------------|--|
| 0 | None, remote pilot valve |
| 5 | 15mm 3-pin DIN 43650C (male only) |
| X | Valve less 15mm solenoid |

| Overrides [§] | |
|------------------------|---------------------------------|
| 0 | None, remote pilot valve |
| B | Flush - non-locking |
| C | Flush - locking |
| D | Extended - non-locking |
| E | Extended - locking |
| X | Valve less 15mm solenoid |

| Port size / thread type | |
|--------------------------------|-----------|
| 3-way | |
| 1/8" NPT inline | 0* |
| 1/8" BSPP "G" inline | 5* |
| 4-way | |
| 1/8" NPT inline | 0* |
| 1/8" BSPP "G" inline | 5* |
| 1/4" NPT subbase | H† |
| 1/8" NPT face mount | T** |
| Subbase valve less base | V‡ |

* Available for use on IEM Manifolds.
 ** 4-way only.
 ‡ Subbase valves available for 4-way valves only.

| Pilot source / pilot exhaust | |
|------------------------------|------------------------------------|
| 0 | None, remote pilot valve |
| B† | Internal - port #1 / vented |
| E* | Dual pressure - port #3 / vented |
| K† | External - body / tapped M5 |
| X‡ | External - manifold / vented |

* Not available for 3-way Valves.
 † Not available for Remote Pilot Valves.
 ‡ See Pilot Source Note below.

§ Enclosure '5'
 - Override / Voltage Availability
 S - Standard
 O - Option

| Voltage code | Override code Standard | | | |
|--------------|------------------------|---|---|---|
| | B | C | D | E |
| 42 | O | O | - | - |
| 45 | O | O | - | - |
| 49 | S | S | O | O |
| 53 | S | S | O | O |
| 57 | O | O | - | - |

| Voltage code | "02" Option | | | |
|--------------|-------------|---|---|---|
| | B | C | D | E |
| 42 | O | O | - | - |
| 45 | O | O | - | - |
| 49 | S | S | O | O |
| 53 | S | S | O | O |
| 57 | O | O | - | - |

Viking Lite Series
 Viking Xtreme Series
 B Series
 ADEX Series
 N Series
D
 Inline Valve Products

Pilot Source 'X'
 External-Manifold / Vented

INLINE & SUBBASE Valves -
 Only used IF an IEM or 5-Ported Subbase Aluminum Bar Manifold requires a common external pilot signal through the manifold for low pressure / vacuum applications OR when used with Sandwich Regulators.

Most popular.



B5 Series

B5 1 1 B B 5 49 - C

Basic series
B5 series **B5**

Engineering level
Current **C**

| Operator function | |
|---|-----------|
| 3-way | |
| Single solenoid, 2-position NC - air return | G |
| Single solenoid, 2-position NO - air return | H |
| Double solenoid, 2-position | J |
| Single remote pilot, 2-position NC - air return | K* |
| Single remote pilot, 2-position NO - air return | L* |
| Double remote pilot, 2-position | M* |
| Single solenoid, 2-position NC - air return / spring assist | V |
| Single solenoid, 2-position NO - air return / spring assist | W |
| Single remote pilot, 2-position NC - air return / spring assist | X* |
| Single remote pilot, 2-position NO - air return / spring assist | Y* |
| 4-way | |
| Single solenoid, 2-position - air return | 1 |
| Double solenoid, 2-position | 2 |
| Single remote pilot, 2-position - air return | 3* |
| Double remote pilot, 2-position | 4* |
| Double solenoid, 3-position - APB | 5 |
| Double solenoid, 3-position - CE | 6 |
| Double solenoid, 3-position - PC | 7 |
| Double remote pilot, 3-position - APB | 8* |
| Double remote pilot, 3-position - CE | 9* |
| Double remote pilot, 3-position - PC | 0* |
| Single solenoid, 2-position - air return / spring assist | E |
| Single remote pilot, 2-position - air return / spring assist | F* |

* Pilot source/pilot exhaust, override, and enclosure must be "0".

| Port Size / Thread Type | |
|-------------------------------|-----------|
| 3-way | |
| 1/4" NPT inline | 1* |
| 3/8" NPT inline | 2* |
| 1/4" BSPP "G" inline | 6* |
| 3/8" BSPP "G" inline | 7* |
| 4-way | |
| 1/4" NPT inline | 1* |
| 3/8" NPT inline | 2* |
| 1/4" BSPP "G" inline | 6* |
| 3/8" BSPP "G" inline | 7* |
| 3/8" NPT subbase | J† |
| 1/4" NPT NAMUR mount | T‡ |
| Subbase valve less base - NPT | V‡ |
| 1/4" BSPP "G" NAMUR mount | W‡ |

* Available for use on IEM manifolds.

† 4-way only.

‡ Available with pilot source "0", "A", and "B" only.

| Pilot Source / Pilot Exhaust | |
|--|-----------|
| Enclosures "0, 5 & X" | |
| None, remote pilot valve | 0 |
| Internal - port #1 / tapped M5 | A† |
| Internal - port #1 / vented | B† |
| Dual pressure - port #3 / vented | E* |
| External - body / tapped M5 | K† |
| External - manifold / vented | X† |
| Enclosures "A, B, C, D, E, F, G, H, N, Q & R" | |
| Internal - port #1 / tapped M5 | A† |
| Internal - port #1 / vented | B† |
| Dual pressure - port #3 / tapped M5 | D‡ |
| External - body / tapped 1/8" | K† |

* Not available for 3-way valves.

† Not available for remote pilot valves.

‡ See pilot source note below.

| Overrides§ | |
|---------------------------------|-----------|
| None. Remote pilot valve | 0 |
| No override | A† |
| Flush - non-locking | B* |
| Flush - locking | C |
| Extended - non-locking | D |
| Extended - locking | E* |
| Valve less 15mm solenoid | X |

* Only available with encl. "5".

† Only available with encl. "E".

| Options | |
|--------------|-----------------------------------|
| Blank | None |
| 02 | Solenoid rotated 180° - pins down |
| MD†† | Manual detent |
| VO* | Fluorocarbon seals |

* Not available with enclosure "0", "5", "X", "E" or "F".

†† Only available with operator function 1 & 3 and Enclosure "N", "X" or mobile voltages upon request.

| | AC | | DC |
|-----------|---|------------|-----------|
| | 60Hz | 50Hz | |
| 42 | 24 | 22 | |
| 45 | | | 12 |
| 49 | | | 24 |
| 53 | 120 | 110 | |
| 57 | 240 | 230 | |
| XX | Remote pilot - M5 or valve less solenoid | | |
| YY | Remote pilot - 5/32" (4mm) tube | | |

| Enclosure / lead length | |
|-------------------------|--|
| 0 | None, remote pilot valve |
| 5 | 15mm 3-pin DIN 43650C (male only) |
| A | 30mm square 3-pin - ISO 4400 form A (male only) |
| B | 22mm rectangular 3-pin - type B industrial (male only) |
| C | 3-pin automotive - mini |
| D | 5-pin automotive - mini |
| E* | Intrinsically safe - 30mm 3-pin |
| F** | Hazardous duty 1/2" NPT conduit - 18" leads |
| G | Grommet - 18" leads |
| H | 1/2" NPT conduit - 18" leads |
| N | Valve less "A-R" coil |
| Q† | Grommet - 72" leads |
| R | 1/2" NPT conduit - 72" leads |
| X | Valve less 15mm solenoid |

* 24 VDC & override "A" only.

** 12 VDC, 24 VDC, 120 VAC or 240 VAC.

† 24 VDC only.

Note: for mobile voltages, contact the application team.

§ Enclosure '5' - Override / Voltage Availability

S - Standard

O - Option

| Voltage code | Override code Standard | | | | Voltage code | Override code "02" Option | | | |
|--------------|------------------------|---|---|---|--------------|---------------------------|---|---|---|
| | B | C | D | E | | B | C | D | E |
| 42 | O | O | - | - | 42 | O | O | - | - |
| 45 | O | O | - | - | 45 | O | O | - | - |
| 49 | S | S | O | O | 49 | S | S | O | O |
| 53 | S | S | O | O | 53 | S | S | O | O |
| 57 | O | O | - | - | 57 | O | O | - | - |

Pilot Source 'X'
External-Manifold / Vented or Tapped M5

INLINE & SUBBASE Valves -
Only used IF an IEM Aluminum Bar Manifold requires a common external pilot signal through the manifold for low pressure / vacuum applications.

□ Most popular.



B6 Series

B6 1 2 B B 5 49 - A

| Basic series | |
|--------------|----|
| B6 series | B6 |

| Engineering level | |
|-------------------|---------|
| A | Current |

| Operator function | |
|---|---|
| 3-way | |
| Single solenoid, 2-position NC - air return / spring assist | V |
| Single solenoid, 2-position NO - air return / spring assist | W |
| Single remote pilot, 2-position NC - air return / spring assist | X |
| Single remote pilot, 2-position NO - air return / spring assist | Y |
| 4-way | |
| Single solenoid, 2-position - air return | 1 |
| Double solenoid, 2-position | 2 |
| Single remote pilot, 2-position - air return | 3 |
| Double remote pilot, 2-position | 4 |
| Double solenoid, 3-position - APB | 5 |
| Double solenoid, 3-position - CE | 6 |
| Double solenoid, 3-position - PC | 7 |
| Double remote pilot, 3-position - APB | 8 |
| Double remote pilot, 3-position - CE | 9 |
| Double remote pilot, 3-position - PC | 0 |
| Single solenoid, 2-position - air return / spring assist | E |
| Single remote pilot, 2-position - air return / spring assist | F |

| Options | |
|---------|-----------------------------------|
| Blank | None |
| 02 | Solenoid rotated 180° - pins down |
| 42* | Series cylinder mount replacement |

* Only available with port size "T" and "0", "A", "B", and "L" pilot source.

| | Voltage [§] | | |
|----|---|------|----|
| | AC | | DC |
| | 60Hz | 50Hz | |
| 42 | 24 | 22 | |
| 45 | | | 12 |
| 49 | | | 24 |
| 53 | 120 | 110 | |
| 57 | 240 | 230 | |
| XX | Remote pilot - M5 or valve less 15mm solenoid | | |
| YY | Remote pilot - 5/32" (4mm) tube | | |

| Port size / thread type | |
|-------------------------|----|
| 3-way / 4-way | |
| 3/8" NPT inline | 2* |
| 3/8" BSPP "G" inline | 7* |
| 3/8" NPT NAMUR mount | T† |

*Available for use on IEM manifolds.
 †4-way only. Available with pilot source "0", "A", "B" and "L" only.

| Pilot source / pilot exhaust | |
|--|-----------|
| Enclosures "0, 5 & X" | |
| None. Remote pilot valve | 0 |
| Internal - Port #1 / tapped M5 | A† |
| Internal - Port #1 / vented | B† |
| Dual pressure - port #5 / vented | H |
| External - Body / tapped M5 | K† |
| Enclosures "A, B, C, D, E, F, G, H, N, Q & R" | |
| Internal - Port #1 / tapped M5 | A† |
| Internal - Port #1 / vented | B† |
| External - Body / tapped 1/8" | K† |

* Not available for 3-way valves.
 † Not available for remote pilot valves.

| Overrides [§] | |
|----------------------------|-----------|
| None, remote pilot valve | 0 |
| No override | A† |
| Flush - non-locking | B* |
| Flush - locking | C |
| Extended - non-locking | D |
| Extended - locking | E* |
| Valve less 15mm solenoid | X |

* Only available with enclosure "5".
 † Only available with enclosure "E".

| Enclosure / lead length | |
|-------------------------|--|
| 0 | None, remote pilot valve |
| 5 | 15mm 3-pin DIN 43650C (male only) |
| A | 30mm square 3-pin - ISO 4400 form A (male only) |
| B | 22mm rectangular 3-pin - Type B industrial (male only) |
| E* | Intrinsically safe - 30mm 3-pin |
| F** | Hazardous duty 1/2" NPT conduit - 18" leads |
| G | Grommet - 18" leads |
| H | 1/2" NPT conduit - 18" leads |
| N | Valve less "A - R" coil |
| Q | Grommet - 72" leads |
| R | 1/2" NPT conduit - 72" leads |
| X | Valve less 15mm solenoid |

* 24 VDC & override "A" only.
 ** 12 VDC, 24 VDC, 120 VAC or 240 VAC.
 † 24 VDC only.

§ Enclosure '5' - Override / Voltage Availability
 S - Standard
 O - Option

| Voltage code | Override code Standard | | | | Voltage code | Override code "02" Option | | | |
|--------------|------------------------|---|---|---|--------------|---------------------------|---|---|---|
| | B | C | D | E | | B | C | D | E |
| 42 | O | O | - | - | 42 | O | O | - | - |
| 45 | O | O | - | - | 45 | O | O | - | - |
| 49 | S | S | O | O | 49 | S | S | O | O |
| 53 | S | S | O | O | 53 | S | S | O | O |
| 57 | O | O | - | - | 57 | O | O | - | - |

INLINE Valves -
 Only used IF an IEM Aluminum Bar Manifold requires a common external pilot signal through the manifold for low pressure / vacuum applications.

Most popular.



B7 & B8 Series

B7 1 3 A B G 53 - A

| Basic series | |
|--------------|----|
| B7 series | B7 |
| B8 series | B8 |

| Engineering level | |
|-------------------|---------|
| A | Current |

| Options | |
|---------|------|
| Blank | None |

| Operator function | |
|---|---|
| 3-way | |
| Single solenoid, 2-position NC - air return / spring assist | V |
| Single solenoid, 2-position NO - air return / spring assist | W |
| Single remote pilot, 2-position NC - air return / spring assist | X |
| Single remote pilot, 2-position NO - air return / spring assist | Y |
| 4-way | |
| Single solenoid, 2-position - air return | 1 |
| Double solenoid, 2-position | 2 |
| Single remote pilot, 2-position - air return | 3 |
| Double remote pilot, 2-position | 4 |
| Double solenoid, 3-position - APB | 5 |
| Double solenoid, 3-position - CE | 6 |
| Double solenoid, 3-position - PC | 7 |
| Double remote pilot, 3-position - APB | 8 |
| Double remote pilot, 3-position - CE | 9 |
| Double remote pilot, 3-position - PC | 0 |
| Single solenoid, 2-position - air return / spring assist | E |
| Single remote pilot, 2-position - air return / spring assist | F |

| | Voltage [§] | | |
|----|--|------|----|
| | AC | | DC |
| | 60Hz | 50Hz | |
| 42 | 24 | 22 | |
| 45 | | | 12 |
| 49 | | | 24 |
| 53 | 120 | 110 | |
| 57 | 240 | 230 | |
| XX | Remote pilot - M5 or valve less solenoid | | |
| YY | Remote pilot - 5/32" (4mm) tube | | |

| Enclosure / lead length | |
|-------------------------|--|
| 0 | None, remote pilot valve |
| 5 | 15mm 3-pin DIN 43650C (male only) |
| A | 30mm square 3-pin - ISO 4400 form A (male only) |
| B | 22mm rectangular 3-pin - Type B industrial (male only) |
| E* | Intrinsically safe - 30mm 3-pin |
| F** | Hazardous duty 1/2" NPT conduit - 18" leads |
| G | Grommet - 18" leads |
| H | 1/2" NPT conduit - 18" leads |
| N | Valve less "A - R" coil |
| R | 1/2" NPT conduit - 72" leads |
| X | Valve less 15mm solenoid |

* 24 VDC & Override "A" only.

** 12 VDC, 24 VDC, 120 VAC or 240 VAC.

| Port size / thread type | |
|-------------------------|----|
| B7 series | |
| 1/2" NPT inline | 3* |
| 1/2" BSPP "G" inline | 8* |
| B8 series | |
| 3/4" NPT inline | 4* |
| 3/4" BSPP "G" inline | 9* |

* Available for use on IEM manifolds.

| Pilot source / pilot exhaust | |
|--|----|
| Enclosures "0, 5 & X" | |
| None. Remote pilot valve | 0 |
| Internal - Port #1 / tapped M5 | A† |
| Internal - Port #1 / vented | B† |
| External - Body / tapped M5 | K† |
| Enclosures "A, B, C, D, E, F, G, H, N, Q & R" | |
| Internal - Port #1 / tapped M5 | A† |
| Internal - Port #1 / vented | B† |
| External - Body / tapped 1/8" | K† |

† Not available for remote pilot valves.

| Overrides [§] | |
|--------------------------|----|
| None, remote pilot valve | 0 |
| No override | A† |
| Flush - non-locking | B* |
| Flush - locking | C |
| Extended - non-locking | D |
| Extended - locking | E* |
| Valve less 15mm solenoid | X |

* Only available with encl. "5".

† Only available with encl. "E".

§ Enclosure '5' - Override / Voltage Availability

S - Standard

O - Option

| Voltage code | Override code | | | |
|--------------|---------------|---|---|---|
| | B | C | D | E |
| 42 | O | O | - | - |
| 45 | O | O | - | - |
| 49 | S | S | O | O |
| 53 | S | S | O | O |
| 57 | O | O | - | - |

Viking Lite Series

Viking Xtreme Series

B Series

ADEX Series

N Series

D

Inline Valve Products

INLINE Valves -

Only used IF an IEM Aluminum Bar Manifold requires a common external pilot signal through the manifold for low pressure / vacuum applications.

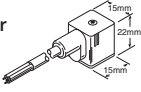
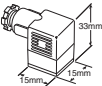


| Voltage | | Enclosure "5" | | | Voltage | | Enclosure "A" | | | Enclosure "B" to "R" | | |
|---------|------|-------------------|----------------|------|---------|------|-------------------|----------------|-------------------|----------------------|------|--|
| AC | | Power consumption | Holding (Amps) | Code | AC | | Power consumption | Holding (Amps) | Power consumption | Holding (Amps) | Code | |
| 60Hz | 50Hz | | | | 60Hz | 50Hz | | | | | | |
| 42 | 24 | 22 | 1.6VA | .065 | 42 | 24 | 22 | 3.9VA | .136 | 7.3VA | .309 | |
| 45 | | 12 | 1.2W | .098 | 45 | | 12 | 2.6W | .208 | 4.6W | .365 | |
| 47* | | 12 | 0.91W | .074 | 47* | | 12 | — | — | 4.9W | .298 | |
| 48* | | 24 | 0.91W | .033 | 48* | | 24 | — | — | 4.8W | .142 | |
| 49 | | 24 | 1.2W | .049 | 49 | | 24 | 2.7W | .112 | 4.8W | .200 | |
| 53 | 120 | 110 | 1.6W | .013 | 53 | 120 | 110 | 4.1VA | .033 | 6.3VA | .047 | |
| 57 | 240 | 230 | 1.6W | .007 | 57 | 240 | 230 | 3.7VA | .017 | 6.4VA | .026 | |

Note: For enclosure "5" with "02" Option, solenoid wattage is 1.8W (2.4VA). Response time is 10% faster. Voltage rated +10 / -15%.

* 47 and 48 code are mobile voltages. voltage +25 / -30%.

15mm 3-Pin DIN 43650C

| Connector with cord | Cord length | Connector | Connector only | Connector with cord |
|---|-------------|------------|---|---------------------|
|  | 18 Inches | PS2932BP |  | PS2932HBP |
| | 6 Feet | PS2932BP | | PS2932JBP |
| | 6 Feet | PS294675BP | | PS2946J75BP* |
| | 6 Feet | PS294679BP | | PS2946J79BP* |
| | 6 Feet | PS294683BP | | PS2946J83BP* |
| | | PS294687BP | | N/A |

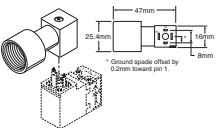
* LED with surge suppression.

Note: Max ø6.5mm cable size required for connector w/o 6' (2m) cord. IP65 rated when properly installed.

Engineering data:

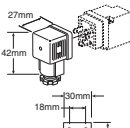
- Conductors: 2 poles plus ground
- Cable range (connector only): 4 to 6mm (0.16 To 0.24 Inch)
- Contact spacing: 8mm

15mm 3-Pin DIN 43650C to 1/2" Conduit

| Description | Connector |
|--|-----------|
|  1/2" NPTF conduit – Unlighted with 3' (1m) leads 20 AWG wire | PS2998P |

Note: Rated up to 250VAC or VDC; 6 amps IP65 rated when properly installed.

30mm Square 3-Pin – ISO 4400, DIN 43650A (Use with Enclosure "A")

| Description | Connector with 6' (2m) cord | Connector |
|---|-----------------------------|------------|
|  Unlighted | PS2028JCP | PS2028BP |
| Light – 6-48V, 50/60Hz, 6-48VDC | PS2032J79CP* | PS203279BP |
| Light – 120V/60Hz | PS2032J83CP* | PS203283BP |
| Light – 240V/60Hz | N/A | PS203283BP |

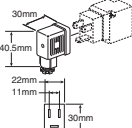
* LED with surge suppression.

Note: Max ø6.5mm cable size required for connector w/o 6' (2m) cord. IP65 rated when properly installed.

Engineering data:

- Conductors: 2 poles plus ground; cable range (connector only): 8 to 10mm (0.31 To 0.39 Inch); contact spacing: 18mm

22mm Rectangular 3-Pin – Type B Industrial (Use with Enclosure "B")

| Description | Connector with 6' (2m) cord | Connector |
|---|-----------------------------|------------|
|  Unlighted | PS2429JBP | PS2429BP |
| Light – 24V60Hz, 24VDC | PS2430J79BP* | PS243079BP |
| Light – 120V/60Hz | PS2430J83BP* | PS243083BP |
| Light – 240V/60Hz | N/A | PS243087BP |

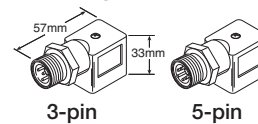
* LED with surge suppression.

Note: Max ø6.5mm cable size required for connector w/o 6' (2m) cord. IP65 rated when properly installed.

Engineering Data:

- Conductors: 2 Poles Plus Ground; Cable Range (Connector Only): 6 to 8mm (0.24 to 0.31 Inch); Contact Spacing: 11mm

3-Pin / 5-Pin Male Automotive Connectors (Use on 22mm Rectangular 3-Pin Solenoid)



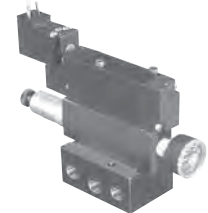
| Description | 3-pin | 5-pin |
|-------------------|------------|------------|
| Unlighted | PS2893CP | PS2893DP |
| Lighted - Voltage | PS2893C##P | PS2893D##P |

– 79 = 6 to 48VAC/VDC

83 = 100 to 240VAC/48 to 120 VDC

Sandwich Regulators

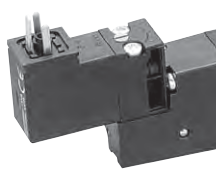
- Use with B3 subbase valves on 5-ported subbase bar manifolds.
- Common port or dual port regulation control.
- Unregulated pressure supplied to valve pilot - use pilot source - 'X'.
- Easy adjust knob control.



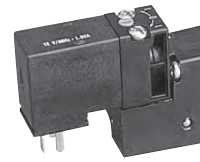
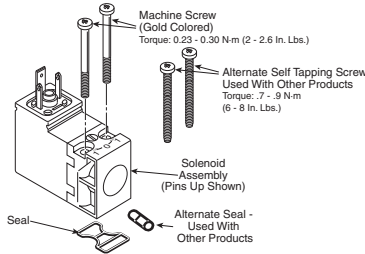
| Pressure range | Cv | Common port with gauge * | Dual port without gauge |
|----------------|-----|--------------------------|-------------------------|
| 5-125 PSI | .33 | PS2930166P | PS2930233P |

* Gauge is 160 PSI. Gauge shipped unassembled. For different gauge mounting configuration, use brass adapters listed at bottom of page.

Solenoid Kits – B3 ‘C’, B5 ‘C’, B6 ‘A’, B7 ‘A’, B8 ‘A’ 3-Pin, EN175301-803 (Former DIN 43650C), 15mm



Standard



“02” Option

PS2982*##P – Enclosure ‘5’

| | ## Voltage | | | | | | |
|----------|------------|----|-----|-----|----|----|----|
| Override | 42 | 45 | 47* | 48* | 49 | 53 | 57 |
| B | O | O | - | - | S | S | O |
| C | O | O | - | - | S | S | O |
| D | - | - | O | O | O | O | - |
| E | - | - | O | O | O | O | - |

S - Standard; O - Option

* Mobile voltage

Kit includes: Solenoid, (2) machine screws, (2) self threading screws, (1) gasket, (1) 3-cell gasket.

PS3541*##P – Enclosure ‘5 with “02” Option

| | ## Voltage | | | | |
|----------|------------|----|----|----|----|
| Override | 42 | 45 | 49 | 53 | 57 |
| B | O | O | S | S | O |
| C | O | O | S | S | O |
| D | - | - | O | O | - |
| E | - | - | O | O | - |

Solenoid Kits Alternate Enclosures

P2FC A 4 49

| Enclosures / lead length | |
|--|----|
| 30mm square 3-pin – ISO 4400 form A (male only) | A |
| 22mm rectangular 3-pin – type B industrial (male only) | B |
| Hazardous duty, FM / CSA | F* |
| Grommet - 18" leads | G |
| 1/2" NPT conduit - 18" leads | H |
| Grommet 72" leads | Q |
| 1/2" Conduit 72" leads | R |

| Voltage / frequency | |
|---------------------|---------------|
| 42 | 24VAC |
| 45 | 12VDC |
| 47* | 12 VDC mobile |
| 48* | 24 VDC mobile |
| 49 | 24VDC |
| 53 | 120VAC |
| 57 | 240VAC |

* Only available with enclosures "A", "B" & "G".

* Only available with voltage codes "45", "49", "53" & "57".



Option A & E
30mm Square
3-pin ISO 4400, DIN 43650A



Option B
22mm Rectangular
3-pin DIN, Type B Industrial



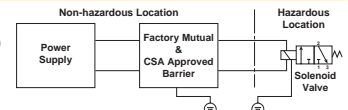
Option G & Q
Grommet, 18" or 72" Leads



Option F, H & R
1/2" Conduit, 18" or 72" Leads

Intrinsically Safe Solenoid Valves (“E” Option)

Hazardous Location Class:
Class I; Groups A, B, C & D
Class II; Groups E, F, & G
Class III; Div. I



For use in low voltage (24VDC) Intrinsically Safe applications.
NO OTHER VOLTAGE IS APPROVED.

36mm coil width.

Comes standard with non-lighted solenoid connector.
Must be connected to an FM approved Barrier.

For dimensions, reference standard solenoid models.
 Maximum internally piloted valve pressure is 115 PSIG.
 Pressures to 145 PSIG can be used when external pilot is utilized and pilot pressure is limited to 115 PSIG.

Intrinsically Safe Solenoid Pilot Assembly Kits

| Description | Part number |
|-------------|---------------------|
| 24VDC | P2FS13N1AE49 |

Hazardous Duty Solenoid Valves (“F” Option)

Hazardous Location Class:
Class I; Zone I EX, M, II & T4
Class I; Div. I. Groups A, B, C, & D
Class II & III; Div. I. Groups E, F, & G



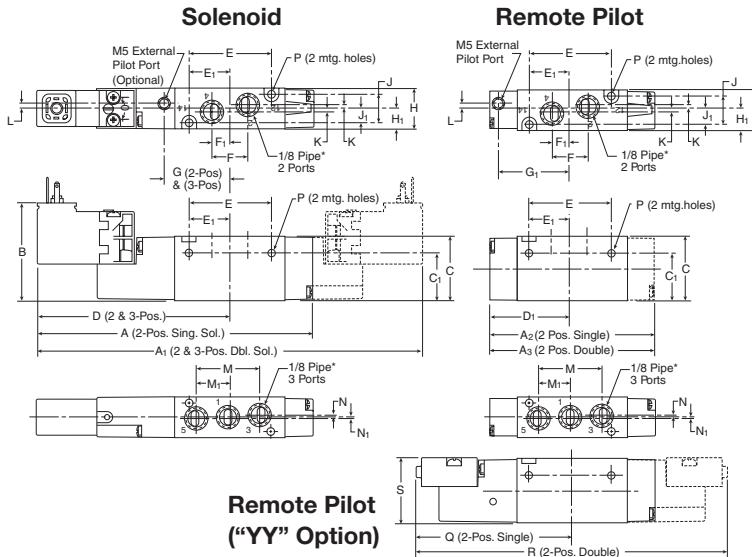
Comes standard with 1/2" conduit connection.
 Voltage range = ± 10%
 Ambient temperature range = -20°C (-4°F) to 60°C (140°F)
 Duty factor = 100%

IP65 rated (with connected conduit connector)

Notes:

1. Maximum non-hazardous location voltage not to exceed 250V RMS.
2. Connect per Barrier Manufacturers instructions.
3. Factory Mutual requires connections per ISA RP 12.6 instructions.
4. CSA requires "Installation to be in accordance with the Canadian Electrical Code. Part I."
5. The hazardous duty coils are wider in size than both the B5 and the B6 valve.
 If mounted on a manifold, the valves need to be staggered to fit.

B3 Single & Double Operators – 4-way Inline

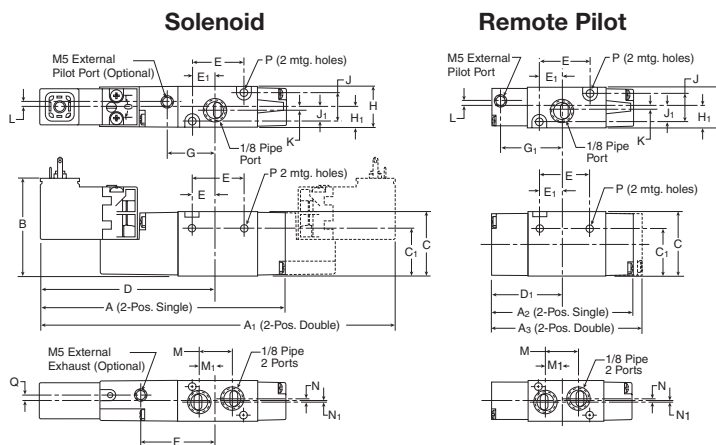


B3 4-way Inline

| | | | | |
|----------------------------|----------------------------|---------------------------|---------------------------|---------------------------|
| A 4.67 (119) | A1 6.44 (164) | A2 3.12 (79) | A3 3.33 (85) | B 1.66 (42) |
| C 1.13 (39) | C1 .84 (21) | D 3.22 (82) | D1 1.66 (42) | E 1.47 (37) |
| E1 .74 (19) | F .63 (16) | F1 .32 (8) | G 1.13 (29) | G1 1.50 (38) |
| H .71 (18) | H1 .36 (9) | J .51 (13) | J1 .26 (7) | K .06 (2) |
| L .11 (3) | M 1.12 (28) | M1 .56 (14) | N .05 (1) | N1 .05 (1) |
| P Ø .13 (3.3) | Q 2.69 (68) | R 5.37 (136) | S 1.16 (29) | |

Inches (mm)

B3 Single & Double Operators – 3-way Inline

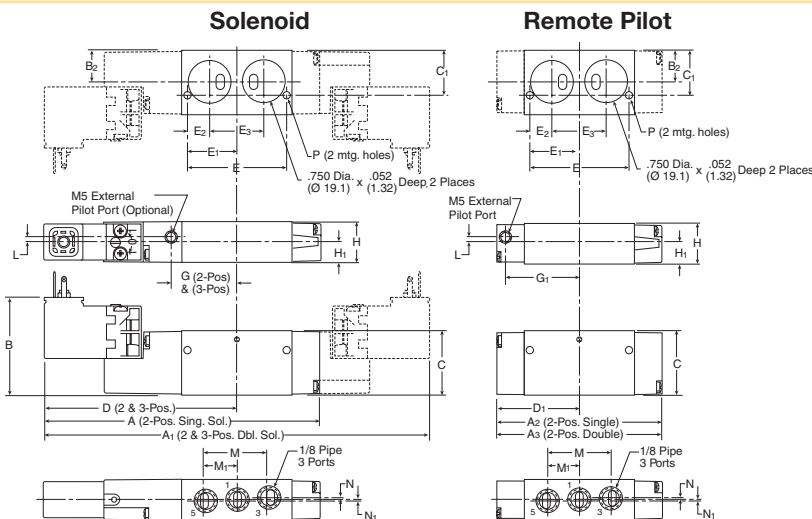


B3 3-way Inline

| | | | | |
|---------------------------|----------------------------|---------------------------|---------------------------|----------------------------|
| A 4.20 (107) | A1 5.96 (151) | A2 2.65 (67) | A3 2.86 (73) | B 1.66 (42) |
| C 1.13 (39) | C1 .84 (21) | D 2.93 (74) | D1 1.38 (35) | E .98 (25) |
| E1 .44 (11) | F 1.32 (34) | G .85 (22) | G1 1.22 (31) | H .71 (18) |
| H1 .36 (9) | J .51 (13) | J1 .26 (7) | K .06 (2) | L .11 (3) |
| M .63 (16) | M1 .27 (7) | N .12 (3) | N1 .06 (2) | P Ø .13 (3.3) |
| Q .08 (2) | | | | |

Inches (mm)

B3 Single & Double Operators – 4-way Face Mount



B3 4-way Face Mount

| | | | | |
|---------------------------|----------------------------|---------------------------|----------------------------|---------------------------|
| A 4.67 (119) | A1 6.44 (164) | A2 3.12 (79) | A3 3.33 (85) | B 1.66 (42) |
| B2 .58 (15) | C 1.13 (29) | C1 .81 (21) | D 3.22 (82) | D1 1.66 (42) |
| E 1.74 (44) | E1 .87 (22) | E2 .39 (10) | E3 .95 (24) | G 1.13 (29) |
| G1 1.50 (38) | H .71 (18) | H1 .36 (9) | L .11 (3) | M 1.12 (28) |
| M1 .56 (14) | N .05 (1) | N1 .05 (1) | P Ø .13 (3.3) | |

Inches (mm)



Viking Lite Series

Viking Xtreme Series

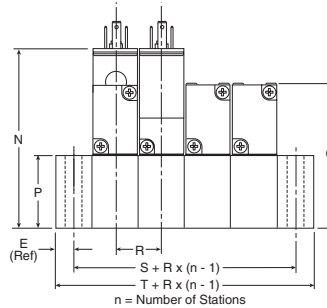
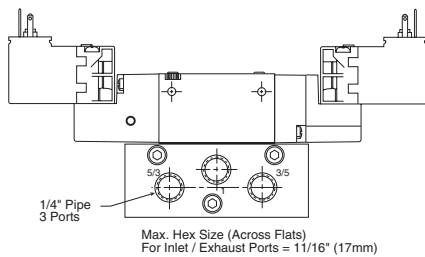
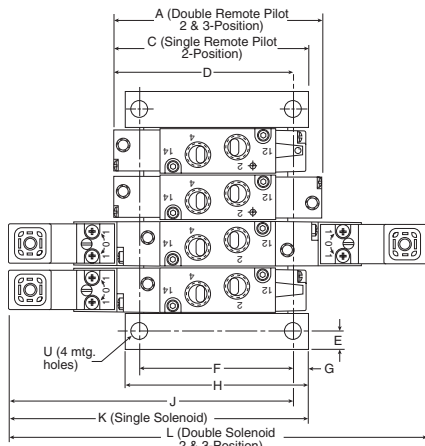
B Series

ADEX Series

N Series

D
 Inline Valve Products

B3 Single & Double Operators – 4-way IEM Stackable



B3 4-way IEM Stackable

| A | C | D | E | F |
|----------------|----------------|------------------|-------------------------|-----------------|
| 3.33 (84.6) | 3.12 (79.2) | 2.91 (73.9) | .30 (7.6) | 2.49 (63.3) |
| G | H | J | K | L |
| .25 (6.4) | 3.00 (76.2) | 4.46 (113.3) | 4.67 (118.6) | 6.43 (163.3) |
| N | P | Q | R | |
| 2.91 (73.9) | 1.25 (31.8) | 2.38 (60.5) | .74 ±.01 (18.8) ± .3 | |
| S | T | U | | |
| 1.34 (34.0) | 1.94 (49.3) | Ø .28 Ø (7.1) | | |

Inches (mm)

Viking Lite Series

Viking Xtreme Series

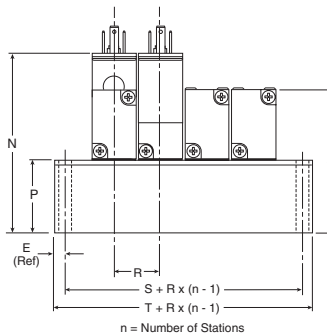
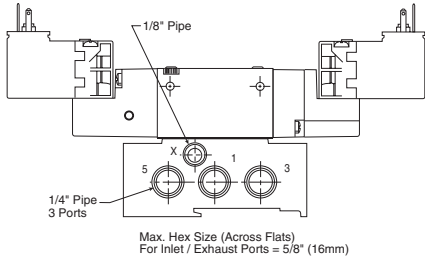
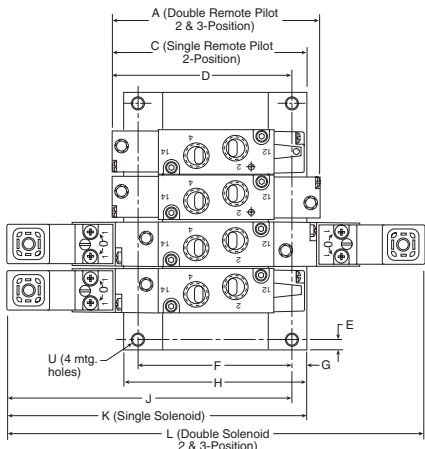
B Series

ADEX Series

N Series

D Inline Valve Products

B3 Single & Double Operators – 4-way IEM Aluminum Bar



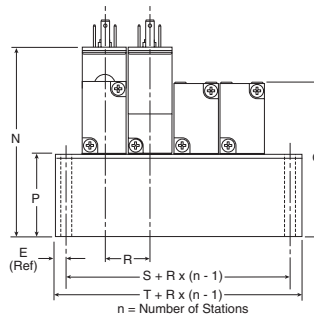
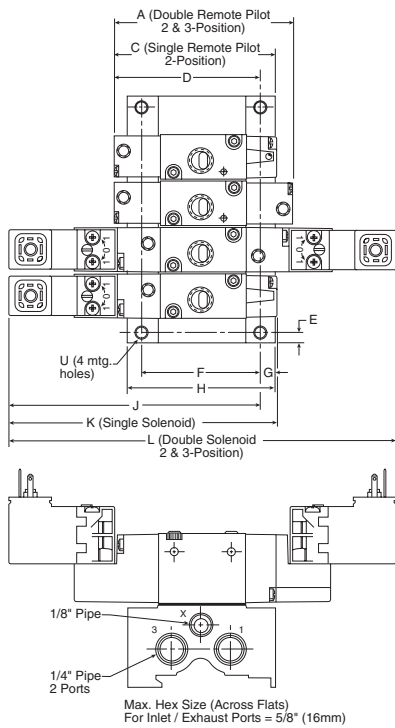
B3 4-way IEM Aluminum Bar Manifold

| A | C | D | E | F |
|----------------|------------------|-----------------|-----------------|-----------------|
| 3.33 (84.6) | 3.17 (80.5) | 2.94 (74.7) | .25 (6.4) | 2.54 (64.5) |
| G | H | J | K | L |
| .23 (5.9) | 3.00 (76.2) | 4.50 (114.2) | 4.73 (120.1) | 6.43 (163.3) |
| N | P | Q | R | S |
| 2.94 (74.7) | 1.28 (32.5) | 2.41 (61.2) | .81 (20.5) | 1.13 (28.8) |
| T | U | | | |
| 1.64 (41.6) | Ø .23 Ø (5.8) | | | |

Inches (mm)



B3 Single & Double Operators – 3-way IEM Aluminum Bar

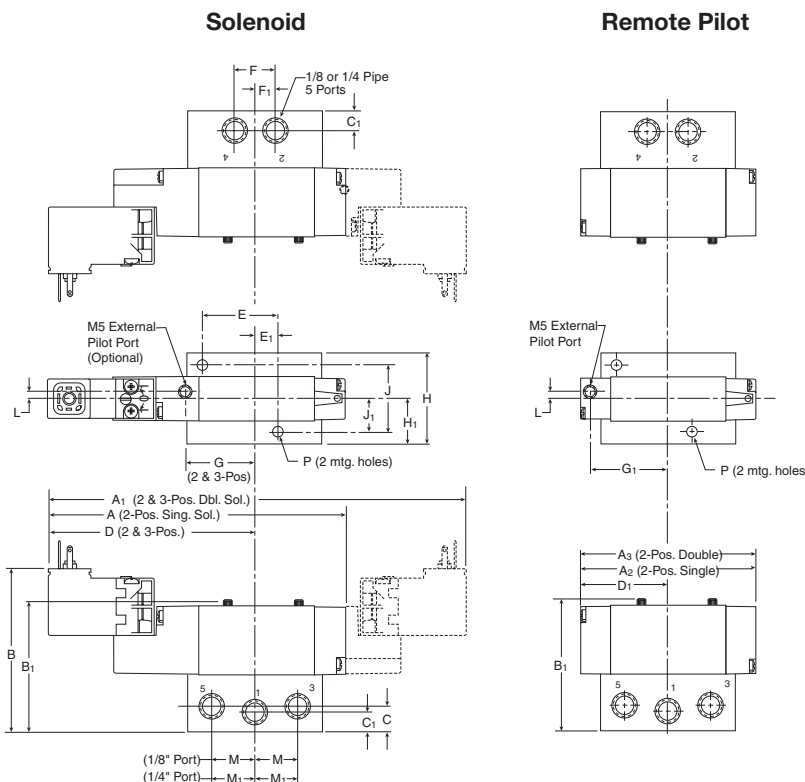


B3 4-way IEM Aluminum Bar Manifold

| A | C | D | E | F |
|----------------|----------------|----------------|-----------------|-----------------|
| 2.86 (72.6) | 2.65 (67.3) | 2.33 (59.2) | .25 (6.4) | 1.80 (45.7) |
| G | H | J | K | L |
| .23 (5.9) | 2.25 (57.2) | 3.88 (98.6) | 4.20 (106.7) | 5.96 (151.4) |
| N | P | Q | R | S |
| 2.93 (74.5) | 1.27 (32.4) | 2.40 (61.1) | .81 (20.5) | 1.13 (28.8) |
| T | U | | | |
| 1.64 (41.6) | Ø .23 (5.8) | | | |

Inches (mm)

B3 Single & Double Operators – 4-way Single Subbase



B3 4-way Single Subbase

| A | A ₁ | A ₂ | A ₃ | B |
|----------------|----------------|----------------|----------------|----------------|
| 4.67 (119) | 6.44 (164) | 3.12 (79) | 3.33 (85) | 2.63 (67) |
| B ₁ | C | C ₁ | D | D ₁ |
| 2.21 (56) | .47 (12) | .37 (9) | 3.22 (82) | 1.66 (42) |
| E | E ₁ | F | F ₁ | G |
| 1.25 (32) | .38 (10) | .69 (18) | .34 (9) | 1.13 (29) |
| G ₁ | H | H ₁ | J | J ₁ |
| 1.50 (38) | 1.50 (38) | .75 (19) | 1.12 (28) | .56 (14) |
| L | M | M ₁ | P | |
| .11 (3) | .71 (18) | .76 (19) | Ø .18 (4) | Ø (4) |

Inches (mm)

Viking Lite Series

Viking Xtreme Series

B Series

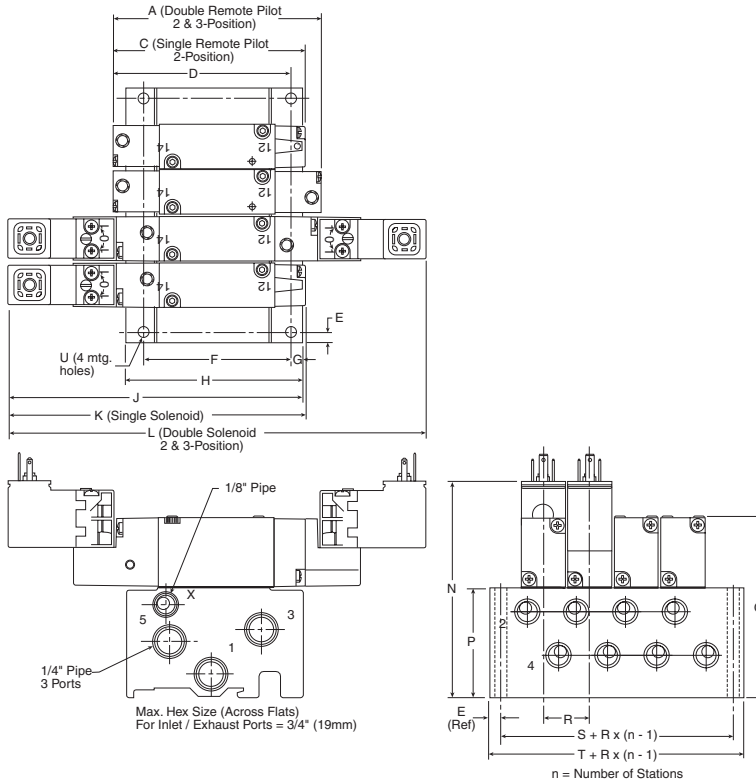
ADEX Series

N Series

D Inline Valve Products



B3 Single & Double Operators – 5-port Subbase Bar Manifold



B3 5-port Subbase Bar Manifold

| A | C | D | E | F |
|----------------|------------------|-----------------|-----------------|-----------------|
| 3.33 (84.6) | 3.12 (79.2) | 2.88 (73.2) | .25 (6.3) | 2.43 (61.7) |
| G | H | J | K | L |
| .22 (5.5) | 2.93 (74.5) | 4.66 (118.3) | 4.67 (118.6) | 6.43 (166.3) |
| N | P | Q | R | S |
| 3.47 (88.2) | 1.81 (46.0) | 2.94 (74.7) | .81 (20.5) | 1.39 (35.4) |
| T | U | | | |
| 1.89 (48.0) | Ø .22 Ø (5.6) | | | |

Inches (mm)

Viking Lite Series

Viking Xtreme Series

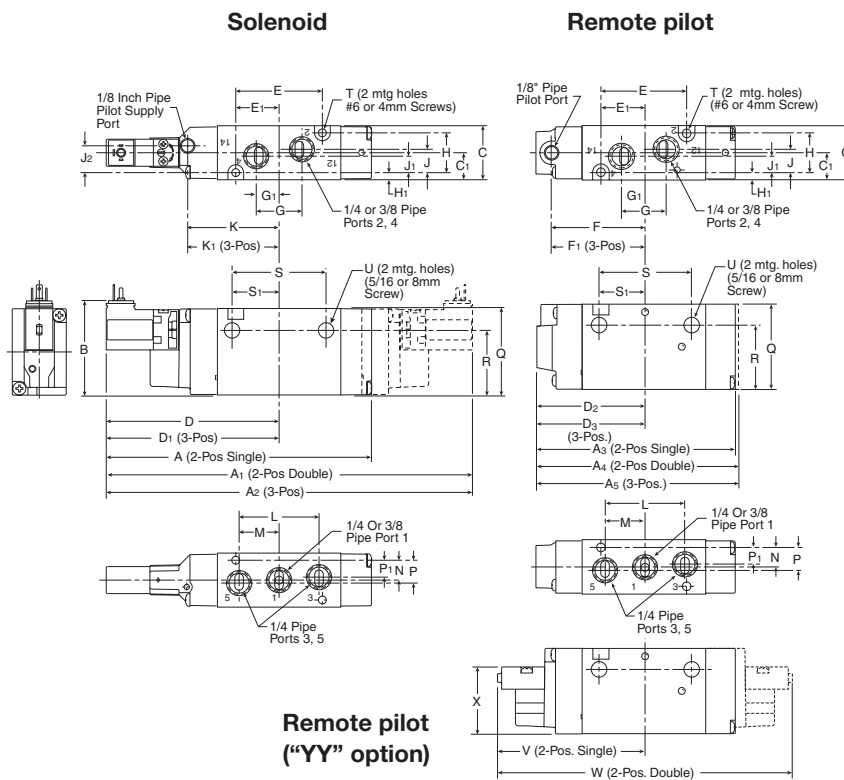
B Series

ADEX Series

N Series

D Inline Valve Products

B5 Single & Double Operators – 4-way Inline



B5 4-way Inline

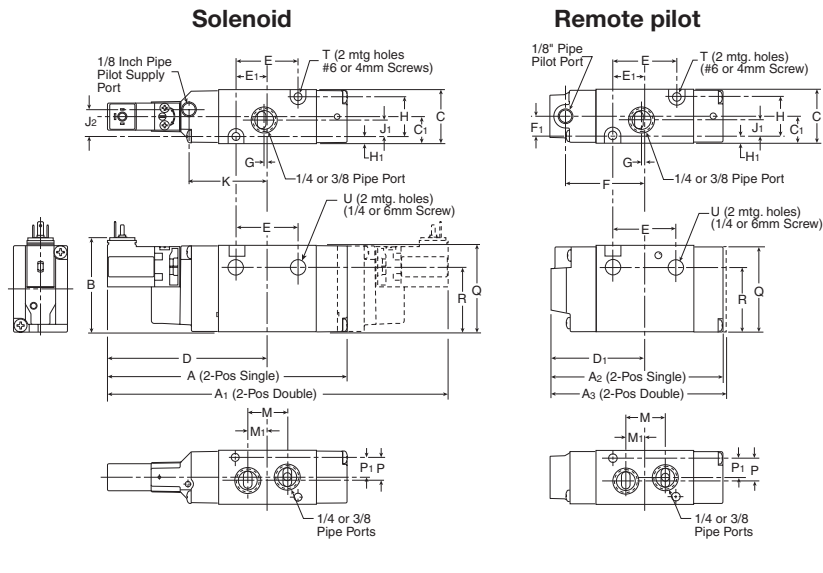
| A | A1 | A2 | A3 | A4 |
|-------------------|----------------|---------------|---------------|---------------|
| 5.78 (147) | 7.51 (191) | 8.45 (215) | 4.37 (110) | 4.70 (119) |
| A5 | B | C | C1 | D |
| 5.64 (143) | 2.06 (52) | 1.18 (30) | .59 (15) | 3.76 (96) |
| D1 | D2 | D3 | E | E1 |
| 4.23 (107) | 2.35 (60) | 2.82 (72) | 1.89 (48) | .95 (24) |
| F | F1 | G | G1 | H |
| 2.01 (51) | 2.47 (63) | 1.00 (25) | .50 (13) | .87 (22) |
| H1 | J | J1 | J | K |
| .16 (4) | .51 (13) | .36 (9) | .58 (15) | 2.00 (51) |
| K1 | L | M | N | P |
| 2.47 (63) | 1.75 (44) | .88 (22) | .43 (48) | .50 (13) |
| P1 | Q | R | S | S1 |
| .37 (92) | 1.89 (48) | 1.41 (36) | 2.05 (52) | 1.03 (26) |
| T | U | V | W | X |
| Ø .177 Ø (4.5) | Ø .34 Ø (9) | 3.24 (82) | 6.48 (165) | 1.50 (383) |

Inches (mm)

Remote pilot ("YY" option)



B5 Single & Double Operators – 3-way Inline

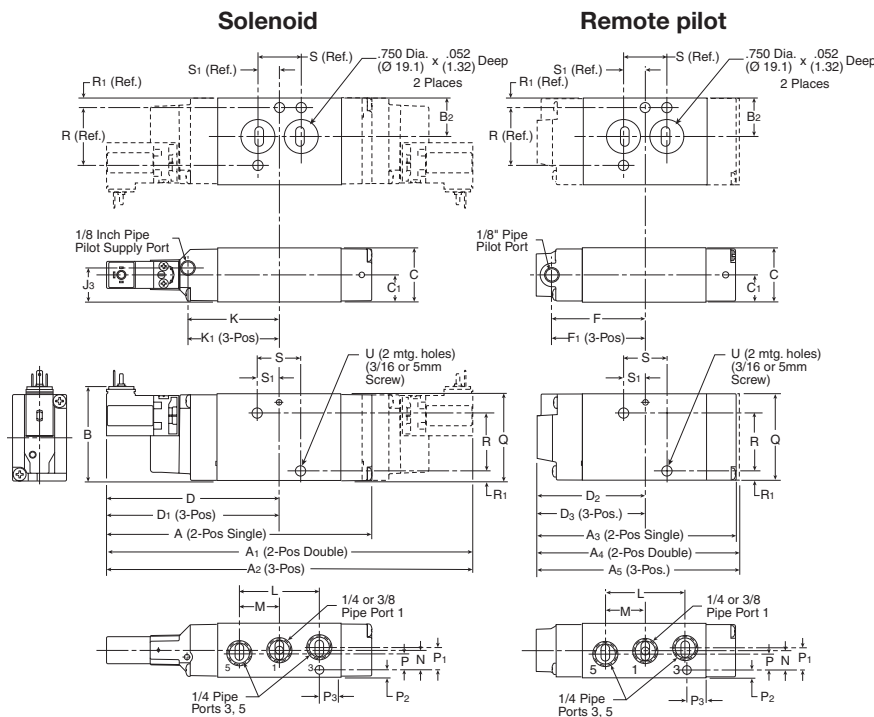


B5 3-way Inline

| | | | | |
|-------------------------------------|---------------------------------------|--------------------------------------|---------------------------------------|--------------------------|
| A 5.29 (134) | A₁ 7.03 (179) | A₂ 3.88 (99) | A₃ 4.21 (107) | B 2.06 (52) |
| C 1.18 (30) | C₁ .59 (15) | D 3.43 (87) | D₁ 2.11 (54) | E 1.40 (36) |
| E₁ .70 (18) | F 1.77 (45) | F₁ .43 (11) | G .06 (2) | H .87 (22) |
| H₁ .16 (4) | J₁ .36 (9) | J₂ .58 (15) | K 1.67 (42) | M .88 (22) |
| M₁ .44 (11) | P .50 (13) | P₁ .37 (9) | Q 1.89 (48) | R 1.41 (36) |
| T Ø .177 Ø (4.5) | | U Ø .26 Ø (6.6) | | |

Inches (mm)

B5 Single & Double Operators – 4-way NAMUR Mount

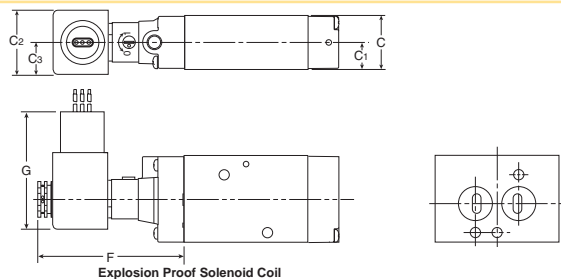


B5 4-way NAMUR Mount

| | | | | |
|---------------------------------------|---------------------------------------|---------------------------------------|---------------------------------------|---------------------------------------|
| A 5.78 (147) | A₁ 7.51 (191) | A₂ 8.45 (215) | A₃ 4.37 (110) | A₄ 4.70 (119) |
| A₅ 5.64 (143) | B 2.06 (52) | B₂ .84 (21) | C 1.18 (30) | C₁ .59 (15) |
| D 3.76 (96) | D₁ 4.23 (107) | D₂ 2.35 (60) | D₃ 2.82 (72) | F 2.01 (51) |
| F₁ 2.47 (63) | J₃ .74 (19) | K 2.00 (51) | K₁ 2.47 (63) | L 1.75 (44) |
| M .88 (22) | N .44 (11) | P .37 (9.4) | P₁ .50 (13) | P₂ .16 (4) |
| P₃ .40 (10) | Q 1.89 (48) | R 1.26 (32) | R₁ .21 (5) | S .94 (24) |
| S₁ .47 (12) | | U Ø .224 Ø (5.7) | | |

Inches (mm)

B5 Alternative Electrical Enclosure Option F



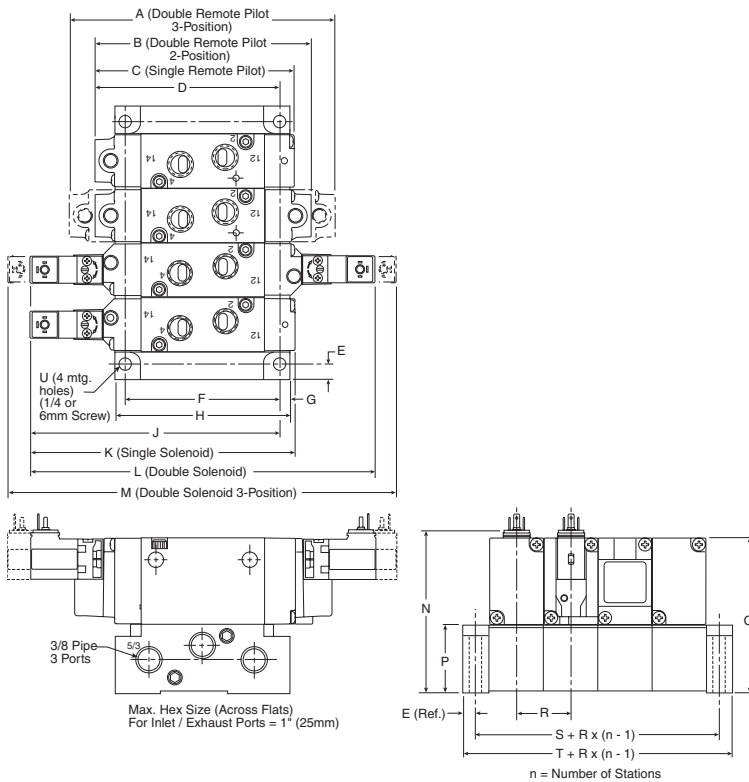
B5 4-way NAMUR Mount with Option F Enclosure

| | | | | |
|--------------------------|-------------------------------------|--------------------------------------|-------------------------------------|--------------------------|
| C 1.18 (30) | C₁ .59 (15) | C₂ 1.42 (36) | C₃ .71 (18) | F 3.15 (80) |
| G 2.60 (66) | | | | |

Inches (mm)



B5 Single & Double Operators – 4-way IEM Stackable

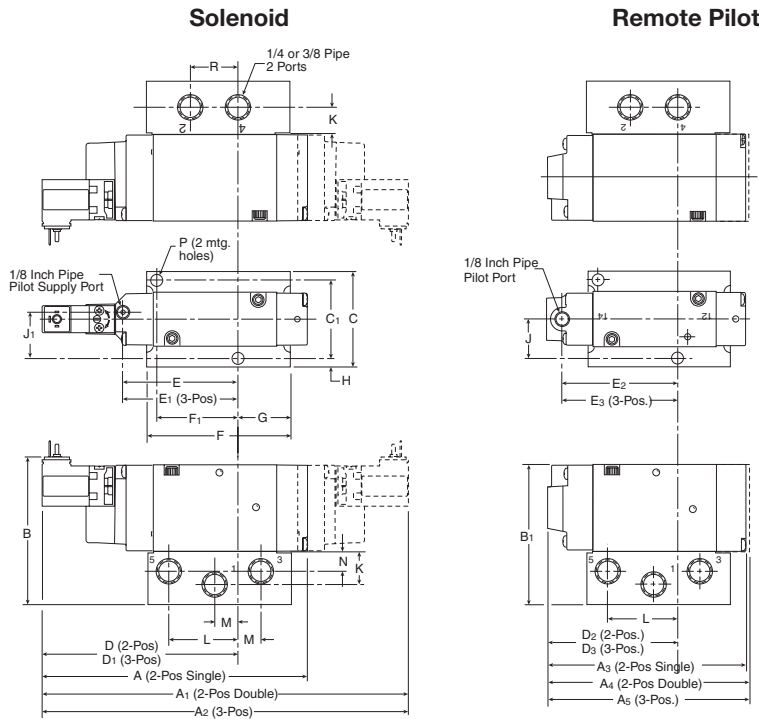


B5 4-way IEM Stackable

| A | B | C | D | E |
|-----------------------------|-----------------|-----------------|-----------------|-----------------|
| 5.64 (143.3) | 4.70 (119.4) | 4.37 (110.0) | 4.29 (109.0) | .29 (7.4) |
| F | G | H | J | K |
| 3.44 (87.4) | .24 (6.1) | 3.92 (99.6) | 5.48 (139.2) | 5.78 (146.8) |
| L | M | N | P | Q |
| 7.52 (191.0) | 8.46 (214.9) | 3.56 (90.4) | 1.50 (38.1) | 3.42 (86.9) |
| R | S | T | U | |
| 1.21 ± .01 (30.7) ± (.3) | 1.79 (45.5) | 2.37 (60.2) | Ø .28 (7.1) | |

Inches (mm)

B5 Single & Double Operators – 4-way Single Subbase

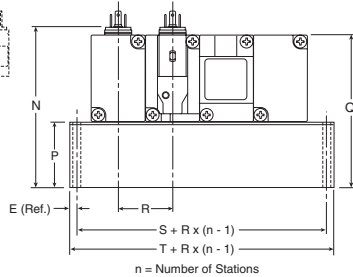
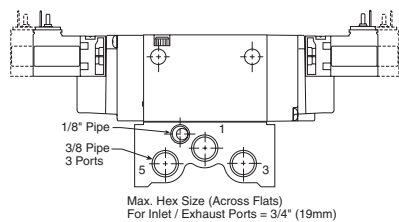
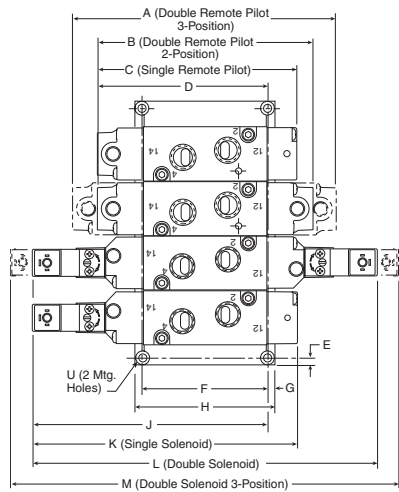


B5 4-way Subbase

| A | A ₁ | A ₂ | A ₃ | A ₄ |
|----------------|----------------|----------------|----------------|----------------|
| 5.78 (147) | 7.52 (191) | 8.46 (215) | 4.37 (110) | 4.70 (119) |
| A ₅ | B | B ₁ | C | C ₁ |
| 5.64 (143) | 3.21 (82) | 3.03 (77) | 2.12 (54) | 1.69 (43) |
| D | D ₁ | D ₂ | D ₃ | E |
| 4.26 (108) | 4.73 (120) | 2.85 (72) | 3.32 (40) | 2.51 (65) |
| E ₁ | E ₂ | E ₃ | F | F ₁ |
| 2.98 (76) | 2.60 (66) | 3.07 (80) | 2.90 (74) | 1.69 (43) |
| G | H | J | J ₁ | K |
| .95 (24) | .22 (5) | .84 (21) | .99 (25) | .71 (18) |
| L | M | N | P | R |
| 1.50 (38) | .50 (13) | .46 (12) | Ø .27 (7) | 1.00 (25) |

Inches (mm)

B5 Single & Double Operators – 4-way IEM Aluminum Bar

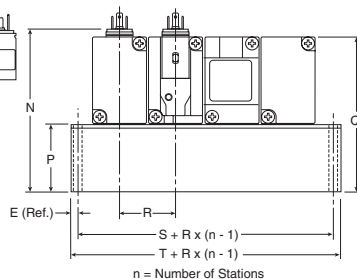
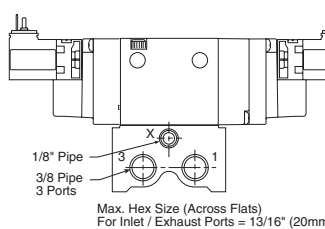
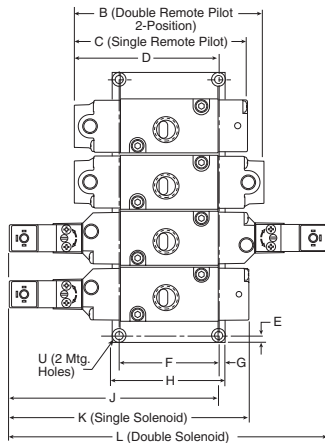


B5 4-way IEM Aluminum Bar Manifold

| A | B | C | D | E |
|-----------------|-----------------|-----------------|------------------|-----------------|
| 5.64 (143.3) | 4.70 (119.4) | 4.37 (110.0) | 3.74 (95.0) | .18 (4.6) |
| F | G | H | J | K |
| 2.78 (70.6) | .17 (4.3) | 3.12 (79.2) | 5.15 (130.8) | 5.78 (146.8) |
| L | M | N | P | Q |
| 7.52 (191.0) | 8.46 (214.9) | 3.50 (89.0) | 1.44 (36.6) | 3.36 (85.3) |
| R | S | T | U | |
| 1.26 (32.0) | 1.78 (45.2) | 2.14 (54.4) | Ø .22 Ø (5.5) | |

Inches (mm)

B5 Single & Double Operators – 3-way IEM Aluminum Bar



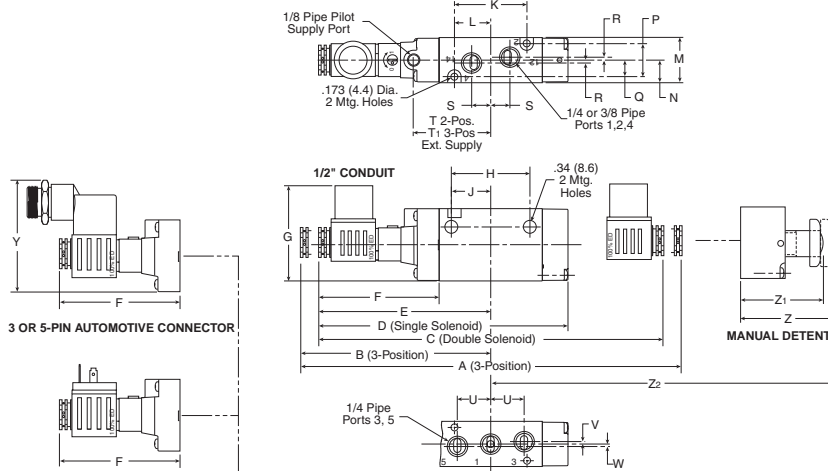
B5 3-way IEM Aluminum Bar Manifold

| B | C | D | E | F |
|-----------------|------------------|-----------------|-----------------|-----------------|
| 4.21 (106.9) | 3.88 (98.6) | 3.41 (86.6) | .18 (4.6) | 2.12 (53.8) |
| G | H | J | K | L |
| .17 (4.3) | 2.46 (62.5) | 4.82 (122.4) | 5.29 (134.4) | 7.03 (178.6) |
| N | P | Q | R | S |
| 3.50 (89.0) | 1.44 (36.6) | 3.36 (85.3) | 1.26 (32.0) | 1.76 (44.7) |
| T | U | | | |
| 2.12 (53.8) | Ø .18 Ø (4.6) | | | |

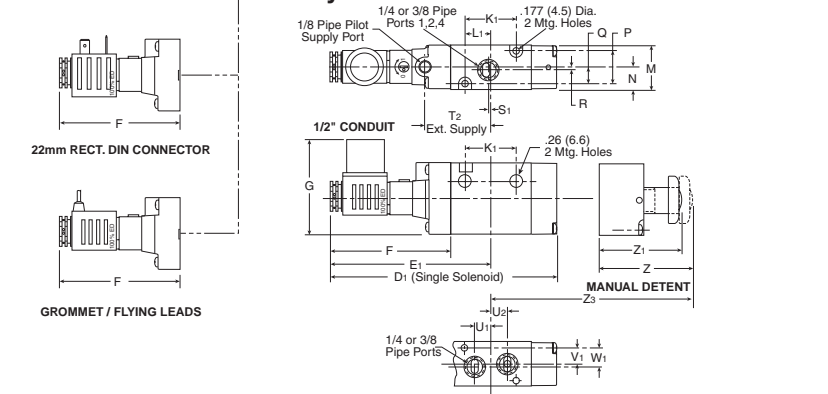
Inches (mm)

B5 3 & 4-way Alternative Electrical Enclosures

4-way



3-way



B5 Alternative – Electrical Enclosures

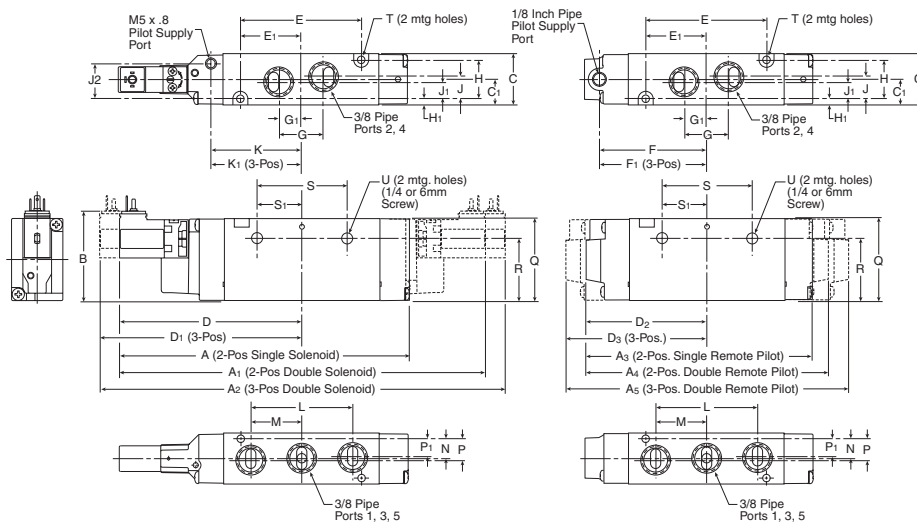
| A | A1 | B | C | D |
|-----------------|-----------------|-----------------|-----------------|-----------------|
| 9.94 (252.5) | .872 (221.4) | 4.97 (126.2) | 9.00 (228.6) | 6.52 (165.6) |
| D1 | E | E1 | F | G |
| 6.02 (152.9) | 4.50 (114.3) | 4.26 (108.1) | 3.15 (80.0) | 2.47 (62.8) |
| H | J | K | K1 | L |
| 2.05 (52.1) | 1.03 (26.2) | 1.89 (48.0) | 1.40 (35.5) | .95 (24.1) |
| L1 | M | N | P | Q |
| .70 (17.8) | 1.18 (30.0) | .59 (15.0) | .87 (22.1) | .43 (10.9) |
| R | S | S1 | T | T1 |
| .08 (2.0) | .50 (12.7) | .06 (1.5) | 2.01 (51.1) | 2.47 (62.7) |
| T2 | U | U1 | U2 | V |
| 1.76 (44.8) | .87 (22.1) | .43 (10.9) | .45 (11.3) | .06 (1.5) |
| V1 | W | W1 | Y | Z |
| .37 (9.3) | .07 (1.8) | .50 (13) | 2.90 (73.6) | 2.40 (60.9) |
| Z1 | Z2 | Z3 | | |
| 2.12 (53.8) | 3.75 (95.2) | 4.17 (105.8) | | |

Inches (mm)

B6 Single & Double Operators – 4-way Inline

Solenoid

Remote pilot



B6 4-way Inline

| A | A1 | A2 | A3 | A4 |
|-----------------|-----------------|-----------------|-----------------|-----------------|
| 6.67 (169.5) | 8.41 (213.7) | 9.35 (237.6) | 5.26 (133.7) | 5.59 (142.1) |
| A5 | B | C | C1 | D |
| 6.54 (166) | 2.06 (52) | 1.18 (30.0) | .59 (15) | 4.21 (106.8) |
| D1 | D2 | D3 | E | E1 |
| 4.68 (118.8) | 2.80 (71) | 3.27 (83.0) | 2.79 (70.8) | 1.39 (35.4) |
| F | F1 | G | G1 | H |
| 2.45 (62.3) | 2.92 (74.3) | 1.03 (26.1) | .51 (13.1) | .91 (23) |
| H1 | J | J1 | J2 | K |
| .14 (3.5) | .51 (13.1) | .39 (10) | .81 (20.6) | 2.09 (53) |
| K1 | L | M | N | P |
| 2.56 (64.9) | 2.34 (59.4) | 1.17 (29.7) | .45 (11.5) | .49 (12.5) |
| P1 | Q | R | S | S1 |
| .41 (10.5) | 1.89 (48) | 1.45 (36.8) | 2.09 (53) | 1.04 (26.5) |
| T | U | | | |
| Ø .17 (4.4) | Ø .27 (6.9) | | | |

Inches (mm)

Viking Lite Series

Viking Xtreme Series

B Series

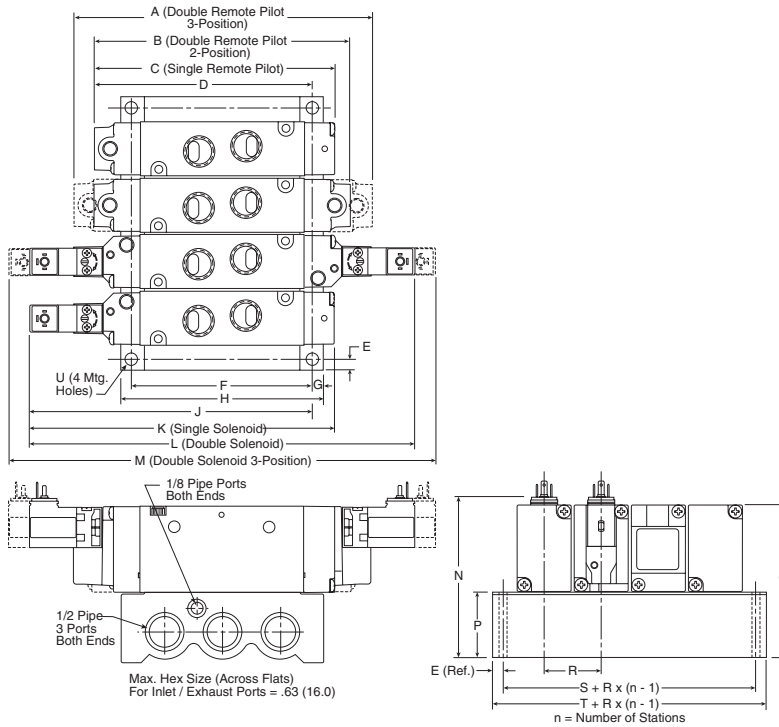
ADEX Series

N Series

D Inline Valve Products



B6 Single & Double Operators – 4-way IEM Aluminum Bar

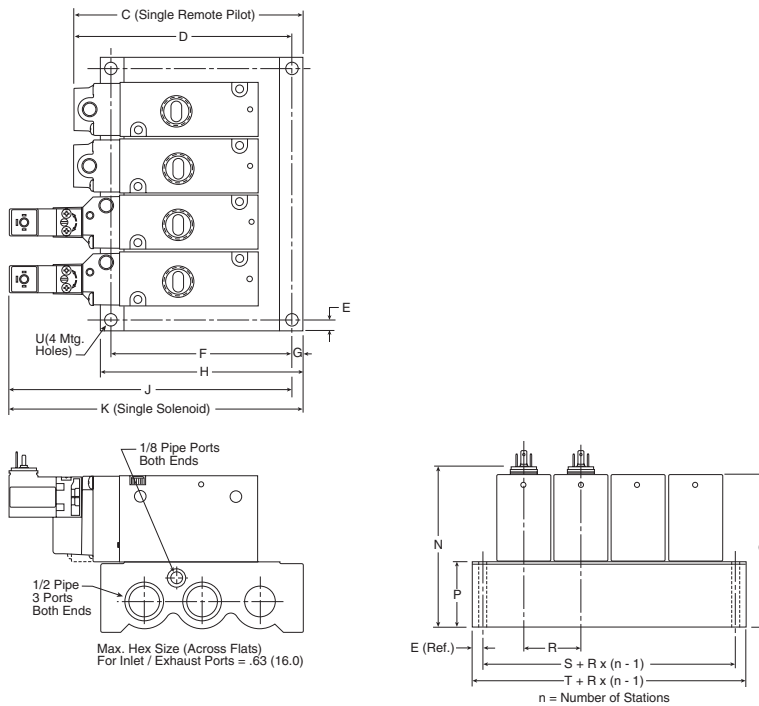


B6 4-way IEM Aluminum Bar Manifold

| A | B | C | D | E |
|-----------------|-----------------|-----------------|------------------|-----------------|
| 6.54 (166.0) | 5.59 (142.1) | 5.26 (133.7) | 4.76 (121.0) | .24 (6.0) |
| F | G | H | J | K |
| 3.94 (100.0) | .24 (6.0) | 4.41 (112.0) | 6.17 (156.8) | 6.67 (169.5) |
| L | M | N | P | Q |
| 8.41 (213.7) | 9.35 (237.6) | 3.60 (91.3) | 1.54 (39.0) | 3.43 (87.0) |
| R | S | T | U | |
| 1.24 (31.5) | 1.77 (45.0) | 2.24 (57.0) | ø .26 ø (6.5) | |

Inches (mm)

B6 Single Operators – 3-way IEM Aluminum Bar

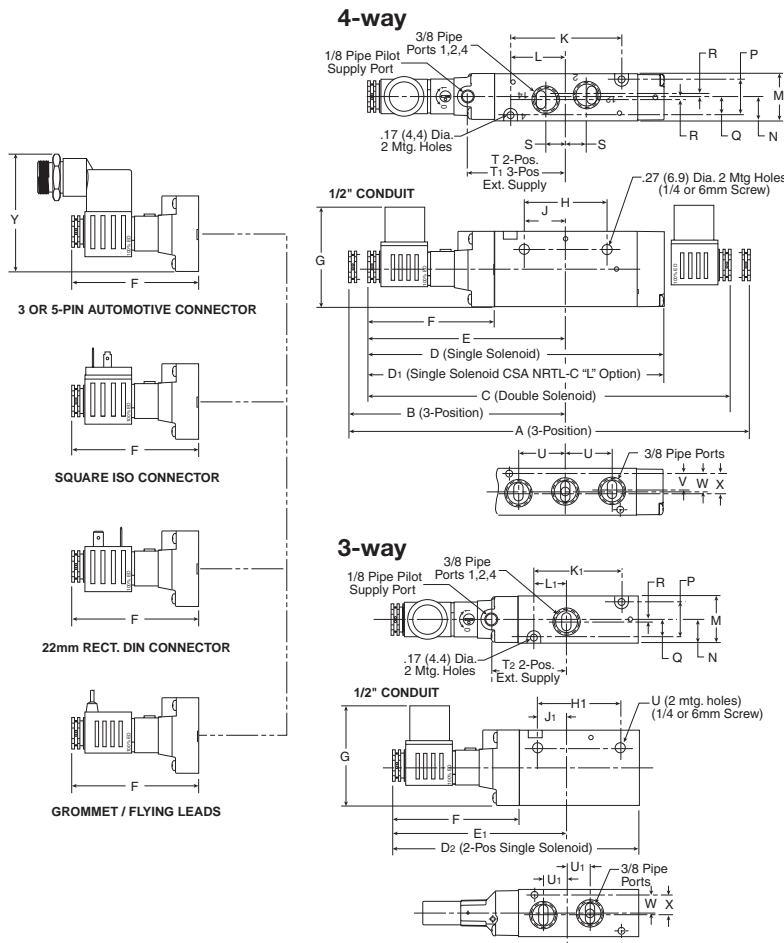


B6 3-way IEM Aluminum Bar Manifold

| C | D | E | F | G |
|-----------------|-----------------|-----------------|-----------------|------------------|
| 5.00 (127.0) | 4.76 (121.0) | .24 (6.0) | 3.94 (100.0) | .24 (6.0) |
| H | J | K | N | P |
| 4.41 (112.0) | 6.17 (156.8) | 6.41 (162.8) | 3.60 (91.3) | 1.54 (39.0) |
| Q | R | S | T | U |
| 3.43 (87.0) | 1.24 (31.5) | 1.77 (45.0) | 2.24 (57.0) | Ø .26 Ø (6.5) |

Inches (mm)

B6 3 & 4-way Alternative Electrical Enclosures

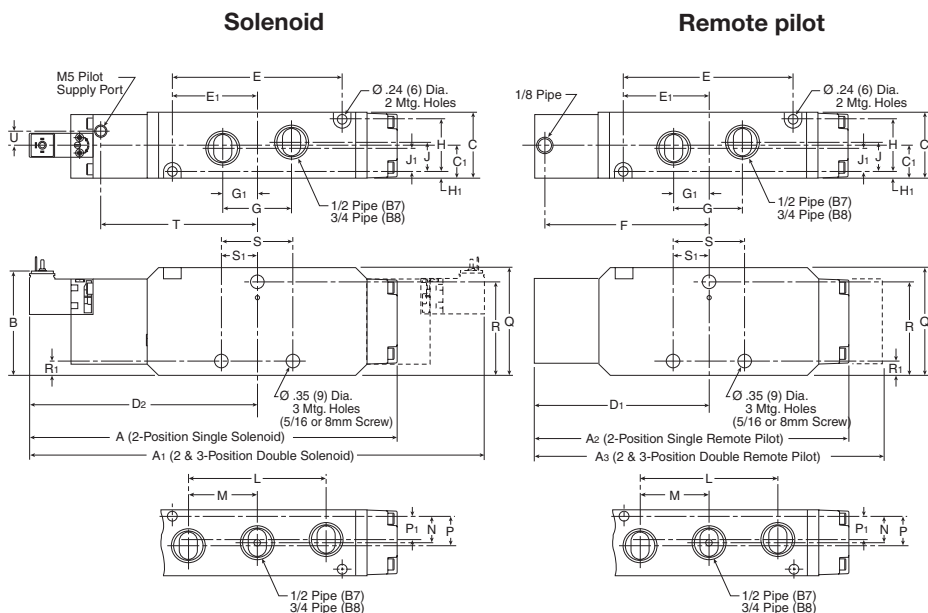


B6 Alternative – Electrical Enclosures

| | | | | |
|------------------|-----------------|-----------------|-----------------|-----------------|
| A | B | C | D | D1 |
| 10.84 (275.3) | 5.41 (137.5) | 9.89 (251.3) | 7.41 (188.2) | 7.74 (196.6) |
| D2 | E | E2 | F | G |
| 6.17 (156.6) | 4.94 (125.6) | 4.37 (111.0) | 3.15 (80.0) | 2.47 (62.8) |
| H | H1 | J | J1 | K |
| 2.09 (53.0) | 2.09 (53.0) | 1.04 (26.5) | 0.76 (19.4) | 2.79 (70.8) |
| K1 | L | L1 | M | N |
| 2.19 (55.6) | 1.39 (35.4) | .82 (20.7) | 1.18 (30.0) | .59 (15.0) |
| P | Q | R | S | T |
| .91 (23.0) | .45 (11.5) | .06 (1.6) | .51 (13.1) | 2.45 (62.3) |
| T1 | T2 | U | U1 | V |
| 2.93 (29.7) | 1.89 (48.0) | .59 (15.0) | .59 (15.0) | .41 (10.5) |
| W | X | Y | | |
| .45 (11.5) | .49 (12.5) | 2.90 (73.6) | | |

Inches (mm)

B7 & B8 Single & Double Operators – 4-way Inline



B7 & B8 4-way Inline

| | | | | |
|---------------|----------------|---------------|---------------|---------------|
| A | A1 | A2 | A3 | B |
| 9.13 (232) | 11.29 (287) | 7.79 (198) | 8.62 (219) | 2.59 (66) |
| C | C1 | D1 | D2 | E |
| 1.65 (42) | .83 (21) | 4.29 (109) | 5.63 (143) | 4.21 (107) |
| E1 | F | G | G1 | H |
| 2.13 (54) | 4.06 (103) | 1.73 (44) | .87 (22) | 1.29 (33) |
| H1 | J | J1 | L | M |
| .16 (4) | .75 (19) | .59 (15) | 3.39 (86) | 1.69 (43) |
| N | P | P1 | Q | R |
| .67 (17) | .75 (19) | .59 (15) | 2.68 (68) | 2.32 (59) |
| R1 | S | S1 | T | U |
| .35 (9) | 1.81 (46) | .90 (23) | 3.94 (100) | .35 (9) |

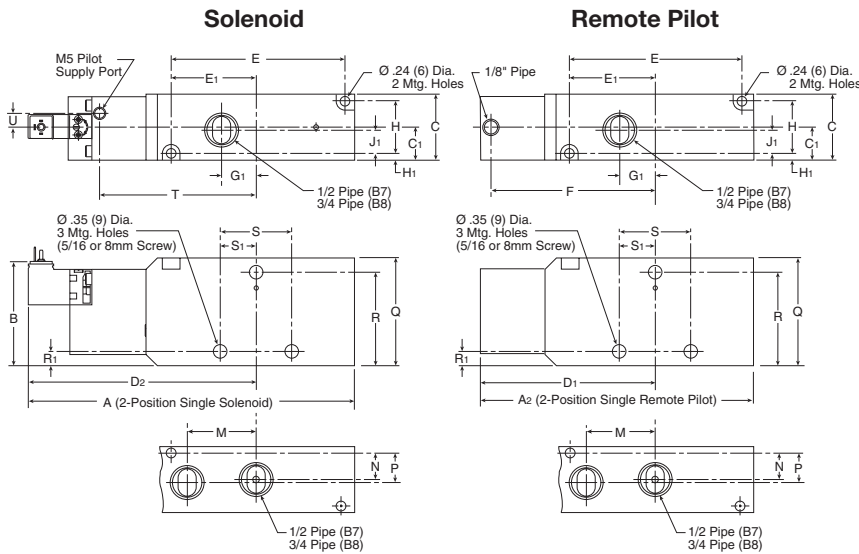
Inches (mm)



Viking Lite Series
 Viking Xtreme Series
 B Series
 ADEX Series
 N Series

D
 Inline Valve Products

B7 & B8 Single Operators – 3-way Inline

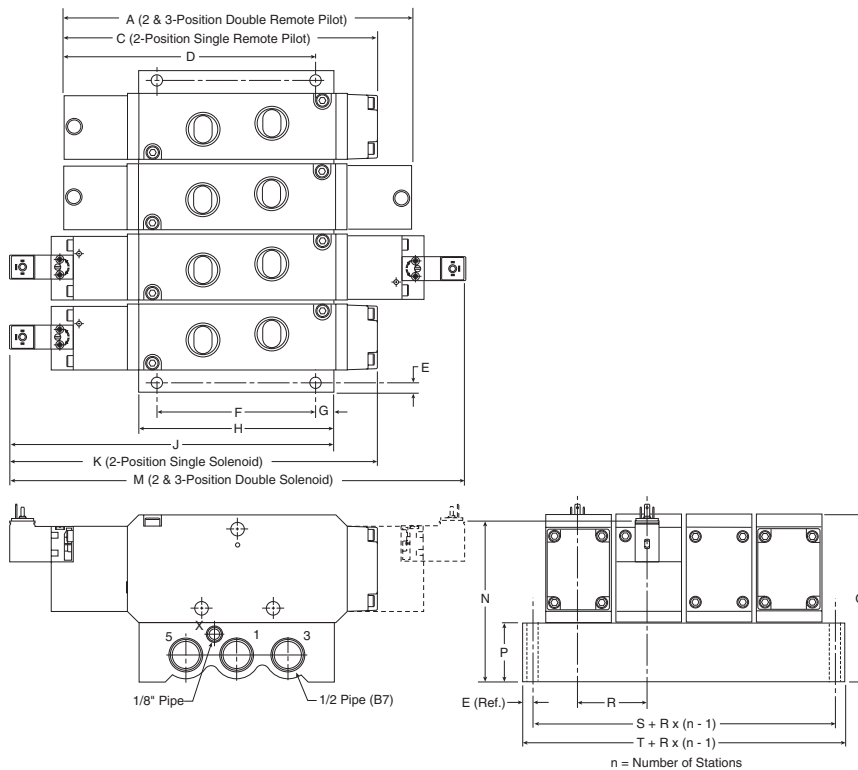


B7 & B8 3-way Inline

| | | | | |
|----------------------|----------------------|----------------------|----------------------|----------------------|
| A | A₂ | B | C | C₁ |
| 7.99 (203) | 6.65 (169) | 2.59 (66) | 1.65 (42) | .83 (21) |
| D₁ | D₂ | E | E₁ | F |
| 4.29 (109) | 5.63 (143) | 4.21 (107) | 2.13 (54) | 4.06 (103) |
| G₁ | H | H₁ | J₁ | M |
| .86 (22) | 1.29 (33) | .16 (4) | .59 (15) | 1.69 (43) |
| N | P | Q | R | R₁ |
| .67 (17) | .75 (19) | 2.68 (68) | 2.32 (59) | .35 (9) |
| S | S₁ | T | U | |
| 1.81 (46) | .90 (23) | 3.94 (100) | .35 (9) | |

Inches (mm)

B7 & B8 Single & Double Operators – 4-way IEM Aluminum Bar

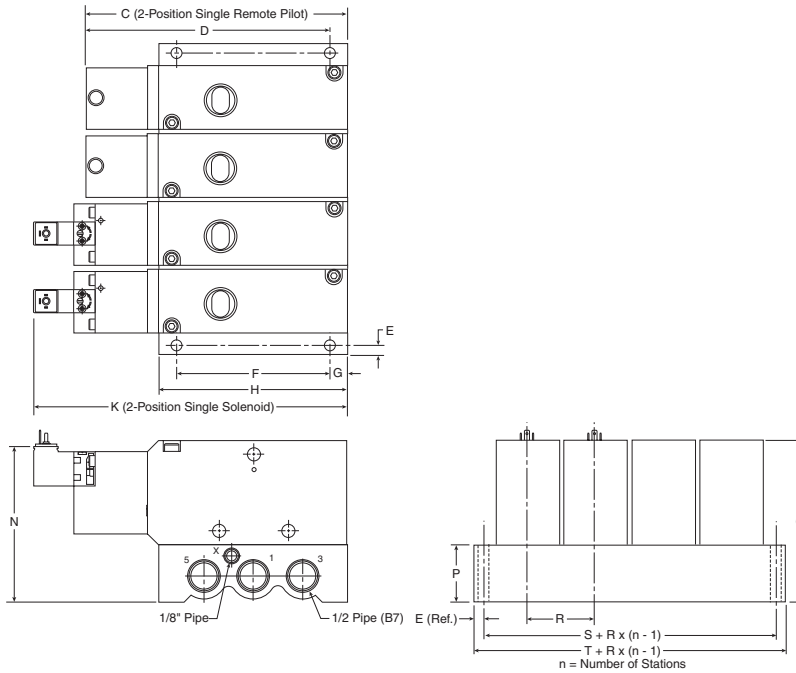


B7 & B8 4-way IEM Aluminum Bar Manifold

| | | | | |
|-----------------|----------------|-----------------|---------------|----------------|
| A | C | D | E | F |
| 7.79 (198) | 8.62 (219) | 6.26 (159) | .24 (6) | 3.94 (100) |
| G | H | J | K | M |
| .45 (11.5) | 4.84 (123) | 8.07 (205) | 9.13 (232) | 11.29 (287) |
| N | P | Q | R | S |
| 4.00 (101.5) | 1.48 (37.5) | 4.15 (105.5) | 1.77 (45) | 2.24 (57) |
| T | | | | |
| 2.72 (69) | | | | |

Inches (mm)

B7 & B8 Single Operators – 3-way IEM Aluminum Bar

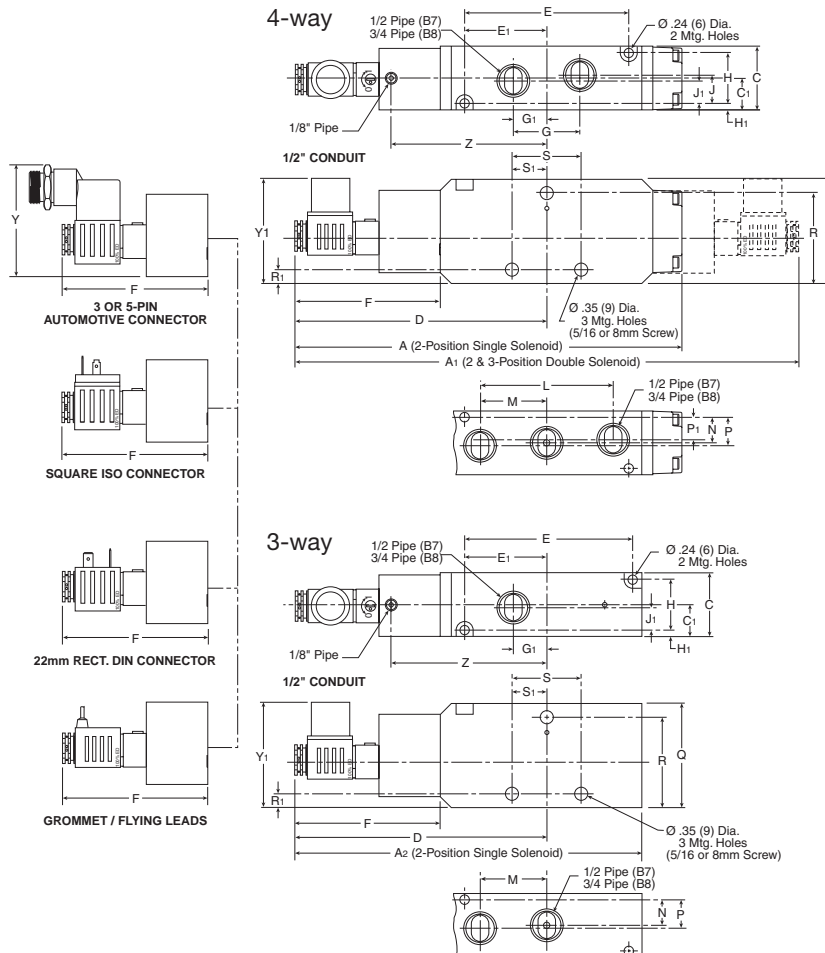


B7 & B8 3-way IEM Aluminum Bar Manifold

| C | D | E | F | G |
|---------------|-----------------|-----------------|----------------|-----------------|
| 6.65 (169) | 4.92 (124.9) | .24 (6) | 3.94 (100) | .45 (11.5) |
| H | K | N | P | Q |
| 4.84 (123) | 7.99 (203) | 4.00 (101.5) | 1.48 (37.5) | 4.15 (105.5) |
| R | S | T | | |
| 1.77 (45) | 2.24 (57) | 2.72 (69) | | |

Inches (mm)

B7 & B8 3 & 4-way Alternative Electrical Enclosures



B7 & B8 3 & 4-way Alternative Electrical Enclosures

| A | A ₁ | A ₂ | C | C ₁ |
|----------------|----------------|----------------|--------------|----------------|
| 9.92 (252) | 12.91 (328) | 8.78 (223) | 1.65 (42) | .83 (21) |
| D | E | E ₁ | F | G |
| 6.46 (164) | 4.21 (107) | 2.13 (54) | 3.74 (95) | 1.73 (44) |
| G ₁ | H | H ₁ | J | J ₁ |
| .86 (22) | 1.29 (33) | .16 (4) | .75 (19) | .59 (15) |
| L | M | N | P | P ₁ |
| 3.39 (86) | 1.69 (43) | .67 (17) | .75 (19) | .59 (15) |
| Q | R | R ₁ | S | S ₁ |
| 2.68 (68) | 2.32 (59) | .35 (9) | 1.81 (46) | .90 (23) |
| Y | Y ₁ | Z | | |
| 2.87 (73) | 2.71 (69) | 3.98 (101) | | |

Inches (mm)



Viking Lite Series

Viking Xtreme Series

B Series

ADEX Series

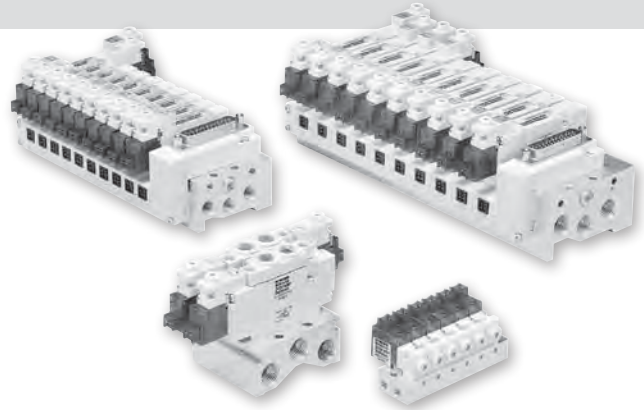
N Series

D

Inline Valve Products

ADEX Series

ADEX Series are miniature low power consumption solenoid valves, ideal for powering small to mid-sized pneumatic actuators used in automation and process applications. ADEX's versatility is further enhanced through its three mounting styles and electronic connectivity options.



Features

- Compact body size
- Fast response < 10ms

Ports

- A00S: M3 – .02 Cv
- A05: M5 – .18 Cv
- A12: 1/8 inch – .47 Cv

Mounting

- Inline
- Subbase mount

Solenoids

- 0.6 W
- 5VDC, 12VDC, 24VDC and 110/220VAC
- LED and surge suppression

Operating information

Maximum operating pressure*:

| | |
|-----------|--|
| A05 & A12 | Vacuum to 100 PSIG (Vacuum to 6.8 bar) |
| A00S (NC) | Vacuum to 100 PSIG (Vacuum to 6.8 bar) |
| A00S (NO) | Vacuum to 70 PSIG (Vacuum to 4.8 bar) |

Minimum operating pressure: See chart below

Operating temperature:

| | |
|--------------------------------------|-----------------------------|
| Intermittent Duty (AC & DC Voltage): | 32°F to 122°F (0°C to 50°C) |
| | Voltage Rated +10 / -10% |
| Continuous Duty (DC Voltage Only): | 32°F to 104°F (0°C to 40°C) |
| | Voltage Rated +0 / -10% |

* When using vacuum and pressure simultaneously on ports 1 & 3, normally closed valve, the maximum pressure is 85 PSIG (586 kPa).

When using vacuum and pressure simultaneously on ports 1 & 3, normally open valve, the maximum pressure is 58 PSIG (400 kPa).

Material specifications

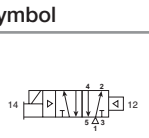
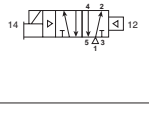
| | |
|-----------|-----------------------------|
| Body | Anodized aluminum |
| End caps | Anodized aluminum |
| Coils | Thermoplastic |
| Fasteners | Stainless steel |
| Spool | Aluminum and nitrile rubber |

Minimum operating pressure

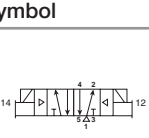
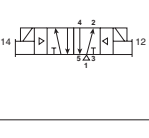
| Description | Internal pilot | | External pilot | |
|------------------------------|------------------------------|--------|----------------|--------|
| | PSIG | kPa | PSIG | kPa |
| 4-way | Single Solenoid | 22 | 152 | Vacuum |
| | | | | 36 |
| | Double Solenoid – 2-position | 15 | 104 | Vacuum |
| 36 | | | | 248 |
| Double Solenoid – 3-position | 30 | 207 | Vacuum | |
| | | | 36 | 248 |
| 3-way | A00 Series | Vacuum | | |

Most popular.

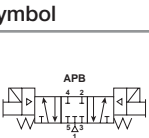
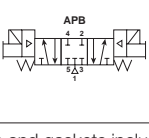
Single Solenoid, 4-way, 2-position

| Symbol | Port size | Cv | Voltage | Valve type | Part number |
|---|-----------|--------|---------|-------------|----------------------|
|  | M5 | .17 Cv | 24VDC | A05 inline | A05RS251PM5MF |
| | M5 | .17 Cv | 12VDC | A05 inline | A05RS252PM5MF |
| | 1/8" | .47 Cv | 24VDC | A12 inline | A12RS251PN1MF |
| | 1/8" | .47 Cv | 12VDC | A12 inline | A12RS252PN1MF |
|  | Less base | .18 Cv | 24VDC | A06 subbase | A05PS251P |
| | Less base | .18 Cv | 12VDC | A06 subbase | A05PS252P |
| | Less base | .44 Cv | 24VDC | A12 subbase | A12PS251P |
| | Less base | .44 Cv | 12VDC | A12 subbase | A12PS252P |

Double Solenoid, 4-way, 2-position

| Symbol | Port size | Cv | Voltage | Valve type | Part number |
|---|-----------|--------|---------|-------------|----------------------|
|  | M5 | .17 Cv | 24VDC | A05 inline | A05RD251PM5MF |
| | M5 | .17 Cv | 12VDC | A05 inline | A05RD252PM5MF |
| | 1/8" | .47 Cv | 24VDC | A12 inline | A12RD251PN1MF |
| | 1/8" | .47 Cv | 12VDC | A12 inline | A12RD252PN1MF |
|  | Less base | .18 Cv | 24VDC | A06 subbase | A05PD251P |
| | Less base | .18 Cv | 12VDC | A06 subbase | A05PD252P |
| | Less base | .44 Cv | 24VDC | A12 subbase | A12PD251P |
| | Less base | .44 Cv | 12VDC | A12 subbase | A12PD252P |

Double Solenoid, 4-way, 3-position, APB

| Symbol | Port size | Cv | Voltage | Valve type | Part number |
|---|-----------|--------|---------|-------------|----------------------|
|  | M5 | .16 Cv | 24VDC | A05 inline | A05RD351PM5MF |
| | M5 | .16 Cv | 12VDC | A05 inline | A05RD352PM5MF |
| | 1/8" | .43 Cv | 24VDC | A12 inline | A12RD351PN1MF |
| | 1/8" | .43 Cv | 12VDC | A12 inline | A12RD352PN1MF |
|  | Less base | .16 Cv | 24VDC | A06 subbase | A05PD351P |
| | Less base | .16 Cv | 12VDC | A06 subbase | A05PD352P |
| | Less base | .40 Cv | 24VDC | A12 subbase | A12PD351P |
| | Less base | .40 Cv | 12VDC | A12 subbase | A12PD352P |

Locking flush override. Mounting screws and gaskets included with valve.

A00 Valve Only – Single Solenoid, 3-way, 2-position*



A00SC231P Shown

* Screwdriver-Operated, Locking Manual Override (LMOR).

| | | | | |
|--|------------|----------|--|---|
| A00S | C23 | - | 1 | P |
| Function Single solenoid normally open 023 Single solenoid normally closed C23 | | | | Connector Position P With indicator light & surge suppression |
| Flow Standard type Blank Large flow type J | | | Voltage 1 24VDC 2 12VDC 4* 5VDC 8* 110/50 VAC 9 120/60 VAC | |

* Special Order



Viking Lite Series
 Viking Xtreme Series
 B Series
 ADEX Series
 N Series
D
 Inline Valve Products

Parker Pneumatic

ADEX Series Subbases & Manifolds

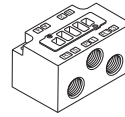
A00 Valve Subbase



| Valve type | All Ports | Part number |
|------------|-----------|----------------|
| A00 | M3 | A00SBM3 |

Mounting screws and gaskets included with valve.

A05 & A12 Subbases



A05PB

| Valve type | Port size | Part number |
|------------|---------------|----------------|
| A05 | 1/8" NPT | A05PBN1 |
| | 1/8" BSPP "G" | A05PBG1 |
| A12 | 1/4" NPT | A12PBN2 |
| | 1/4" BSPP "G" | A12PBG2 |

Kit Includes: (1) Subbase (Holddown bolts and gasket are included with valve)

A00 Valve Manifold*



MMFS6A00M3 Shown

* Normally closed valves (A00SC23•P) and Normally open valves (A00S023•P) cannot be mounted on the same manifold simultaneously.

| | | | |
|---------------------------|----------|------------------|-----------|
| MMFS | 2 | A00 | M5 |
| Number of stations | | Port size | |
| 2 Stations | 2 | M3 | |
| 3 Stations | 3 | M5 | |
| 4 Stations | 4 | | |
| • | • | | |
| • | • | | |
| 20 Stations | 20 | | |

A05 Valve IEM Bar Manifold



MMFU10A05F Shown

| | |
|--------------------------------------|-------------------|
| 4-way, NPTF (Individual wiring type) | MMFU##A05F |
| 4-way, NPTF (Collective wiring type) | MMCU##A05F |

– stations 2 to 20
 ## – stations 2 to 12
 (Even numbers only)

A12 Valve IEM Bar Manifold



MMFU10A12F Shown

| | |
|--------------------------------------|-------------------|
| 4-way, NPTF (Individual wiring type) | MMFU##A12F |
| 4-way, NPTF (Collective wiring type) | MMCU##A12F |

– stations 2 to 20
 ## – stations 2 to 12
 (Even numbers only)

A05 Valve Subbase Bar Manifold (5-Ported)



| | |
|------------------------------------|---------------------|
| 4-way, M5 (Individual Wiring Type) | MMFS##A05FM5 |
| 4-way, M5 (Collective Wiring Type) | MMCS##A05FM5 |

– stations 2 to 20
 ## – stations 2 to 12
 (Even numbers only)

A12 Valve Subbase Bar Manifold (5-Ported)



| | |
|---|---------------------|
| 4-way, 1/8" NPTF (Individual Wiring Type) | MMFS##A12FF1 |
| 4-way, 1/8" NPTF (Collective Wiring Type) | MMCS##A12FF1 |

– stations 2 to 20
 ## – stations 2 to 12
 (Even numbers only)

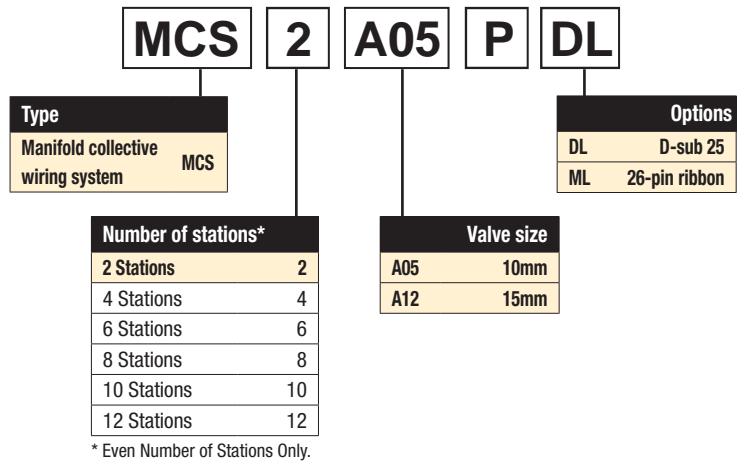
Viking Lite Series
 Viking Xtreme Series
 B Series
 ADEX Series
 N Series
 D Inline Valve Products




Collective Wiring



MCS10A05PDL Shown



Individual Wired Connectors P / R Type

| Size | Voltage | Length | Part number |
|--|---------|----------|-------------------|
|  A00 A05 A12 | DC | .5 meter | A05PDCCL5 |
| | | 1 meter | A05PDCCL10 |
| | | 3 meter | A05PDCCL30 |
| A05 A12 | AC | .5 meter | A05PACCL5 |
| | | 1 meter | A05PACCL10 |

A05PDCCL##

DC Voltage: Positive "+" (Red Wire)
 Negative "-" (Black Wire)

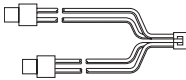
AC Voltage: Both Wires are Blue (Polarity Neutral)

Wired Connectors with Protective Cover - P / R Type

| Size | Length | Part number |
|------|---------|-------------------|
| A00 | 1 meter | A05PDCCB10 |
| A05 | | |
| A12 | | |

The cover is made of chloroprene rubber for electrical use, assuring excellent weather and insulation resistance. However, be careful not to place it under splash of cutting oil.

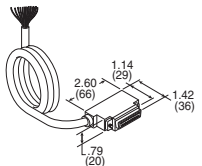
Collective Wired Connectors P / R Type

| Size | Part number | Part number | |
|--|-------------|-----------------|----------------|
| | | PNP | NPN |
|  A05 Single A12 Double | | A05PSCCM | A05PSCC |
| | | A05PDCCM | A05PDCC |

A05PDCC

PNP = SOURCING = "Negative Common" = Yellow Wires
 NPN = SINKING = "Positive Common" = Red Wires

Cable with Female D-Sub, 25-Pin Connector

| Description | Part number |
|---|------------------|
|  25-Pin, D-Sub cable, 1 meter (3.3 ft.) | DSS25FB1K |

Note: For use with ADEX MCS system only.
 Connection to control system is through 25 colored wires AWG 24. Includes (2) M2.5 mm screws.

Viking Lite Series

Viking Xtreme Series

B Series

ADEX Series

N Series

D

Inline Valve Products

Parker Pneumatic

ADEX Series Valve Accessories

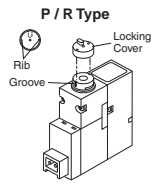
Blanking Plate

| Size | Type | Part number |
|------|-------------|----------------|
| A00 | Subbase | A00SBP |
| A05 | Body ported | A05RGBP |
| | Subbase | A05PGBP |
| A12 | Body ported | A12RGBP |
| | Subbase | A12PGBP |

A00SBP A05RGBP A05PGBP

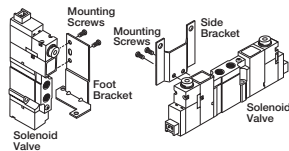
* Outlet pin cover used with collective wiring system only.

Extended Override Cover



| Size | Orange: for 14 side solenoid | Green: for 12 side solenoid |
|------|------------------------------------|-----------------------------------|
| A00 | A05PLA | A05PLB |
| A05 | | |
| A12 | | |

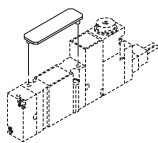
Mounting Bracket



| Size | Type | Part number |
|------|------|---------------|
| A05 | Side | A05RBS |
| | Foot | A05RBF |
| A12 | Side | A12RBS |
| | Foot | A12RBF |

Kit Includes: (1) Bracket, (2) Screws

Labeling Tag



| Size | Description | Part number |
|------|-----------------|--------------|
| A05 | White Label Tag | A05PN |
| A12 | | |

Exhaust Mufflers



| Pipe thread | Part number |
|-------------|-----------------|
| M5 | P6M-PAC5 |
| 1/8" NPT | EM12 |
| 1/4" NPT | EM25 |

P6M - Plastic; EM - Sintered Bronze

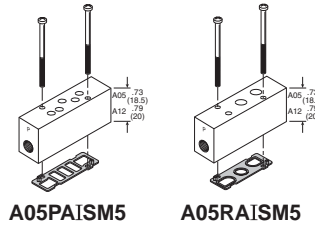
Plastic Silencers



| Thread size | Part number | |
|-------------|--------------|-------------|
| | NPT | BSPT |
| M5 | AS-5 | N/A |
| 1/8" | ASN-6 | AS-6 |
| 1/4" | ASN-8 | AS-8 |

Individual Air Supply Spacer

Mounts between valve and manifold. Supply from the manifold is blocked and only the valve mounted on the spacer receives the individual supply.



| Size | Type | Port size | Internal pilot part number | External pilot* part number |
|------|---------|-----------|----------------------------|-----------------------------|
| A05 | Inline | M5 | A05RAISM5 | A05RAXISM5 |
| | Subbase | M5 | A05PAISM5 | A05PAXISM5 |
| A12 | Inline | 1/8" NPT | A12RAISN1 | A12RAXISN1 |
| | Subbase | 1/8" NPT | A12PAISN1 | A12PAXISN1 |

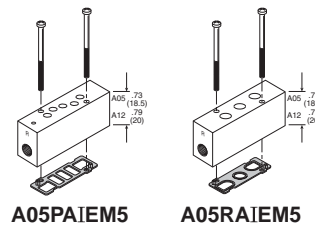
Can only be used on Collective wiring type manifolds.

* Can only be used with External Piloted valve. External pilot is located on the X Port of the manifold

Kit Includes: (1) Spacer, (2) Screws, and (1) Gasket

Individual Air Exhaust Spacer

Mounts between valve and manifold. Exhaust from the manifold is blocked and only the valve mounted on the spacer has the individual exhaust.



| Size | Type | Port size | Internal pilot part number | External pilot* part number |
|------|---------|-----------|----------------------------|-----------------------------|
| A05 | Inline | M5 | A05RAIEM5 | A05RAXIEM5 |
| | Subbase | M5 | A05PAIEM5 | A05PAXIEM5 |
| A12 | Inline | 1/8" NPT | A12RAIEN1 | A12RAXIEN1 |
| | Subbase | 1/8" NPT | A12PAIEN1 | A12PAXIEN1 |

Can only be used on Collective wiring type manifolds.

* Can only be used with External Piloted valve. External pilot is located on the X Port of the manifold

Kit Includes: (1) Spacer, (2) Screws, and (1) Gasket

Viking Lite Series

Viking Xtreme Series

B Series

ADEX Series

N Series

D


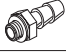

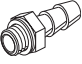
Inline Valve Products



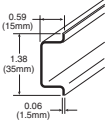
Parker Pneumatic

ADEX Series Valve Accessories

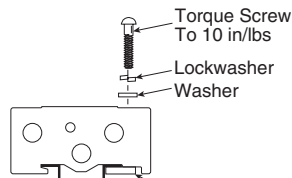
M3 & M5 Fittings

| | Description | Part number |
|---|-----------------|-------------------|
|  | M5 Plug Fitting | N220-1900J |
|  | M3 to 3mm Barb | BC03M3 |
|  | M3 to 4mm Barb | BC04M3 |
|  | M5 to 3mm Barb | BC03M5 |

DIN Rail

| | Length | Part number |
|---|--------|-----------------|
|  | 6 Feet | AM1DE200 |

DIN Rail Hardware Kit



| Size | Type | Dimensions | | | Part number |
|------|---------|------------|------|------|-----------------|
| | | A | B | C | |
| A05 | IEM | 2.24 | 1.00 | .31 | MFUA05DB |
| | Subbase | (57) | (25) | (8) | MFSA05DB |
| A12 | IEM | 2.91 | 1.00 | .39 | MFUA12DB |
| | Subbase | (74) | (25) | (10) | MFSA12DB |

Kit includes: (2) Screws, (2) Clamps

Replacement Cylinder Port Plate Kits

| Size | Fitting | Part number |
|------|---------------|-----------------|
| A05 | M5 | A05RABM5 |
| A12 | 1/8" NPT | A12RABN1 |
| | 1/8" BSPP "G" | A12RABG1 |

Replacement Base Gasket Kits

| Size | Type | Screws | |
|------|--------------|---------------|--------------|
| | | Gasket only | Screw |
| A00 | Subbase | A00SG | A00SS |
| | Body Ported | A05RG | A05RS |
| A05 | Subbase Int. | A05PG | A05PS |
| | Subbase Ext. | A05PXG | A05PS |
| A12 | Body Ported | A12RG | A12RS |
| | Subbase Int. | A12PG | A12PS |
| | Subbase Ext. | A12PXG | A12PS |

These are spare parts, mounting screws and gaskets included with valves.

Viking Lite Series

Viking Xtreme Series

B Series

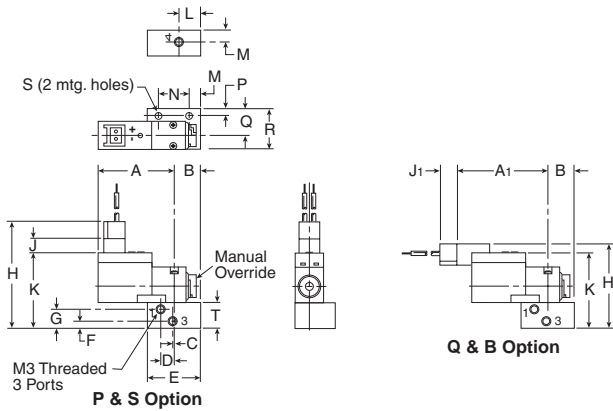
ADEX Series

N Series

D

Inline Valve Products

A00 Subbase

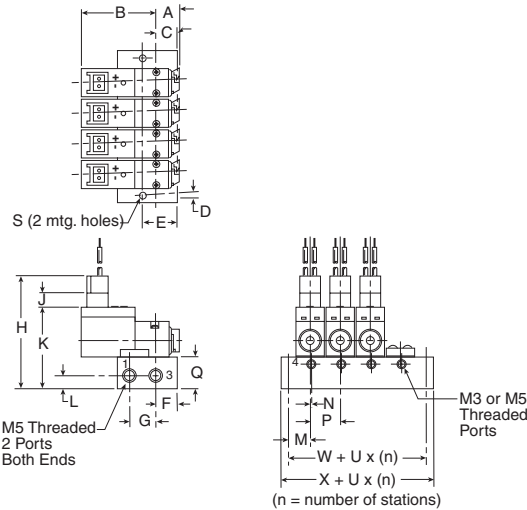


A00 - Subbase

| | | | | |
|--------------|--------------|--------------|--------------|---------------|
| A | A1 | B | C | D |
| 1.00 (25) | 1.18 (30) | .41 (11) | .015 (.4) | .17 (4) |
| E | F | G | H | H1 |
| .79 (20) | .12 (3) | .28 (7) | 1.54 (39) | 1.38 (34) |
| J | J1 | K | L | M |
| .24 (6) | .20 (5) | 1.11 (28) | .32 (8) | .18 (5) |
| N | P | Q | R | S |
| .47 (12) | .10 (3) | .39 (10) | .59 (15) | .106 (2.7) |
| T | | | | |
| .38 (10) | | | | |

Inches (mm)

A00 Manifold

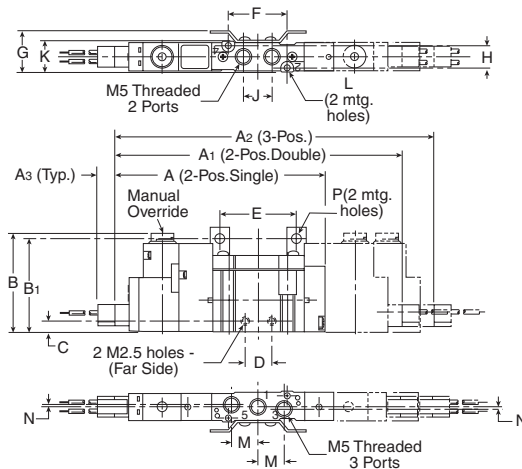


A00 - Manifold

| | | | | |
|---------------|---------------|---------------|---------------|--------------|
| A | B | C | D | E |
| .36 (9) | 1.00 (25) | .31 (8) | .10 (3) | .51 (13) |
| F | G | H | J | K |
| .31 (8) | .39 (10) | 1.63 (42) | .20 (5) | 1.22 (31) |
| L | M | N | P | Q |
| .20 (5) | .33 (9) | .02 (.6) | .41 (10.5) | .47 (12) |
| S | U | X | W | |
| .125 (3.2) | .41 (10.5) | .45 (11.5) | .26 (6.5) | |

Inches (mm)

A05R Single & Double Operators – Inline



A05R – Inline

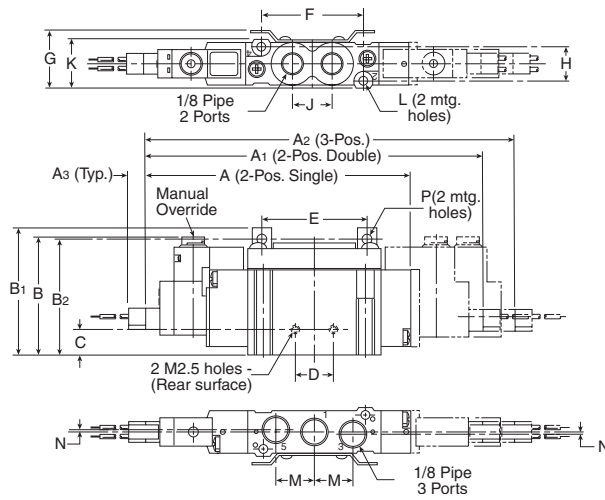
| | | | | |
|--------------|---------------|------------------|---------------|------------------|
| A | A1 | A2 | A3 | B |
| 2.91 (74) | 3.94 (100) | 4.25 (108) | .24 (6) | 1.38 (35) |
| B1 | C | D | E | F |
| 1.30 (33) | .16 (4) | .38 (10) | 1.06 (27) | .83 (21) |
| G | H | J | K | L |
| .57 (15) | .33 (9) | .40 (10) | .45 (11.4) | ∅ .08 ∅ (2.1) |
| M | N | P | | |
| .37 (10) | .04 (1) | ∅ .14 ∅ (3.5) | | |

Inches (mm)



Viking Lite Series
 Viking Xtreme Series
 B Series
 ADEX Series
 N Series
 D Inline Valve Products

A12R Single & Double Operators – Inline

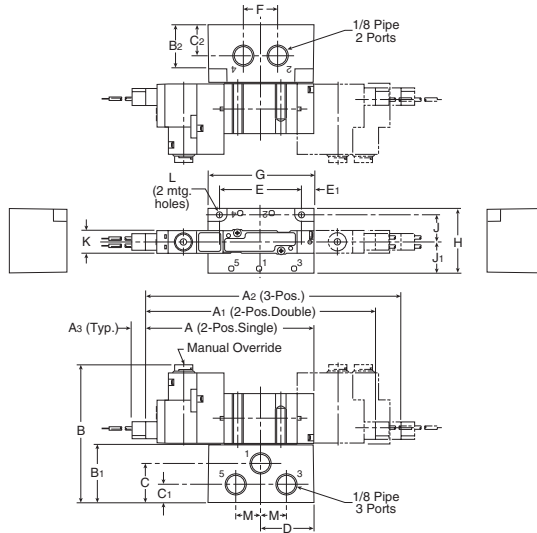


A12R – Inline

| A | A1 | A2 | A3 | B |
|------------------|---------------|---------------|------------------|--------------|
| 3.68 (94) | 4.69 (119) | 5.12 (130) | .24 (6) | 1.64 (42) |
| B1 | B2 | C | D | E |
| 1.77 (45) | 1.70 (43) | .35 (9) | .51 (13) | 1.46 (37) |
| F | G | H | J | K |
| 1.42 (36) | .80 (20) | .47 (12) | .55 (14) | .68 (17) |
| L | M | N | P | |
| Ø .12 Ø (3.1) | .55 (14) | .03 (0.8) | Ø .14 Ø (3.5) | |

Inches (mm)

A05P Single & Double Operators – Subbase

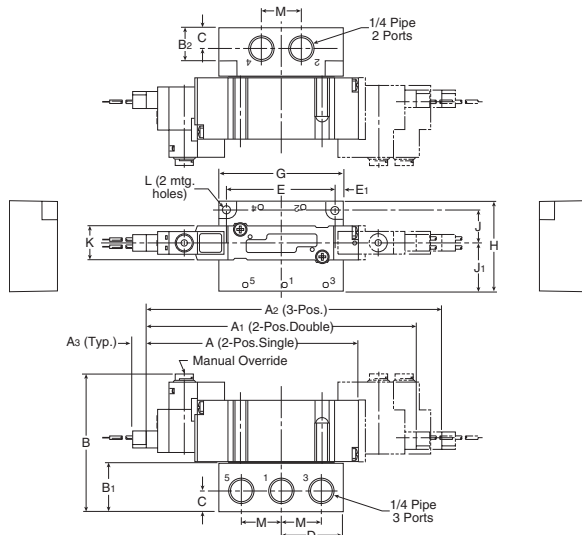


A05P – Subbase

| A | A1 | A2 | A3 | B |
|--------------|---------------|---------------|-------------|------------------|
| 2.91 (74) | 3.94 (100) | 4.25 (108) | .24 (6) | 2.35 (60) |
| B1 | B2 | C | C1 | C2 |
| .96 (25) | .75 (19) | .65 (17) | .30 (8) | .53 (14) |
| D | E | E1 | F | G |
| .89 (23) | 1.38 (35) | .20 (5) | .57 (15) | 1.77 (45) |
| H | J | J1 | K | L |
| .08 (28) | .45 (11.5) | .51 (13) | .39 (10) | Ø .13 Ø (3.2) |
| M | | | | |
| .45 (12) | | | | |

Inches (mm)

A12P Single & Double Operators – Subbase



A12P – Subbase

| A | A1 | A2 | A3 | B |
|--------------|------------------|---------------|---------------|--------------|
| 3.68 (94) | 4.69 (119) | 5.12 (130) | .24 (6) | 2.41 (61) |
| B1 | B2 | C | D | E |
| .87 (22) | .75 (19) | .37 (10) | 1.10 (28) | 1.89 (48) |
| E1 | G | H | J | J1 |
| .16 (4) | 2.20 (56) | 1.59 (41) | .57 (14.5) | .87 (22) |
| K | L | M | | |
| .59 (15) | Ø .17 Ø (4.3) | .71 (18) | | |

Inches (mm)



Viking Lite Series

Viking Xtreme Series

B Series

ADEX Series

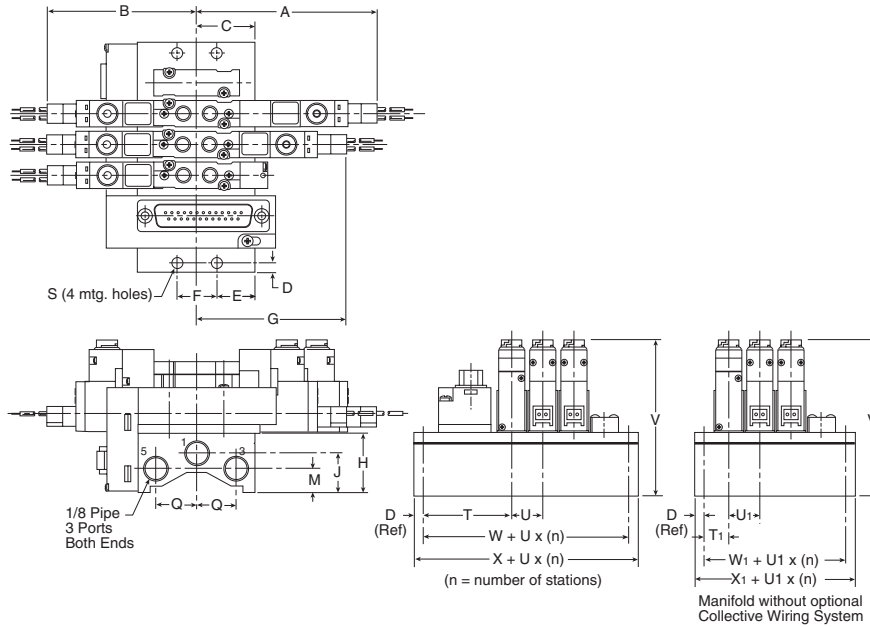
N Series

D

Inline Valve Products

A05R Manifold – Valve Inline

A05R - Manifold, Valve Inline



| | | | | |
|----------------------|----------------|--------------|----------------------|---------------|
| A | B | C | D | E |
| 2.52 (64) | 2.21 (56) | .94 (24) | .16 (4) | .61 (16) |
| F | G | H | J | M |
| .63 (16) | 2.21 (56) | .94 (24) | .61 (16) | .37 (10) |
| Q | S | T | T₁ | U |
| .63 (16) | Ø .18 (4.5) | 1.34 (34) | .51 (13) | .49 (12.5) |
| U₁ | V | W | W₁ | X |
| .41 (10.5) | 2.32 (59) | 1.36 (35) | .37 (9.5) | .167 (43) |
| X₁ | | | | |
| .68 (17.5) | | | | |

Inches (mm)

Viking Lite Series

Viking Xtreme Series

B Series

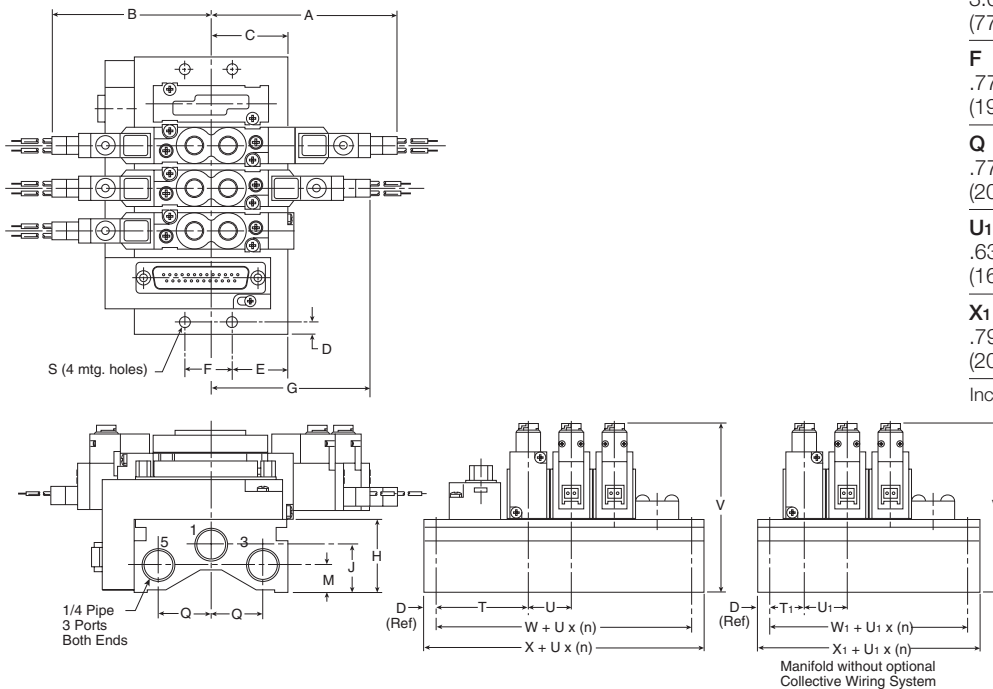
ADEX Series

N Series

D Inline Valve Products

A12R Manifold – Valve Inline

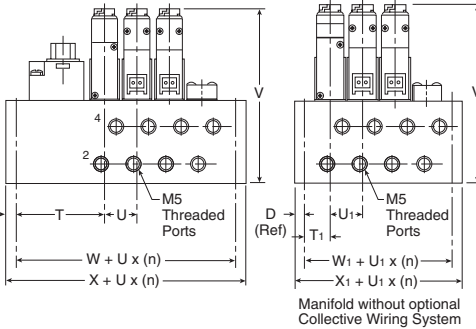
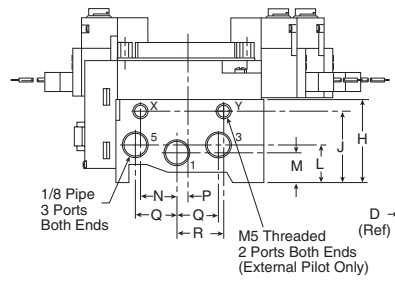
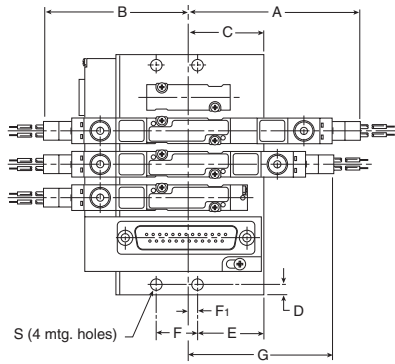
A12R - Manifold, Valve Inline



| | | | | |
|----------------------|----------------|--------------|----------------------|---------------|
| A | B | C | D | E |
| 3.01 (77) | 2.58 (66) | 1.14 (29) | .20 (5) | .76 (19) |
| F | G | H | J | M |
| .77 (19.6) | 2.58 (66) | 1.08 (28) | .71 (18) | .41 (11) |
| Q | S | T | T₁ | U |
| .77 (20) | Ø .18 (4.5) | 1.48 (38) | .51 (13) | .69 (17.5) |
| U₁ | V | W | W₁ | X |
| .63 (16) | 2.74 (70) | 1.34 (34) | .39 (10) | 1.73 (44) |
| X₁ | | | | |
| .79 (20) | | | | |

Inches (mm)

A05P Manifold – Side Ports

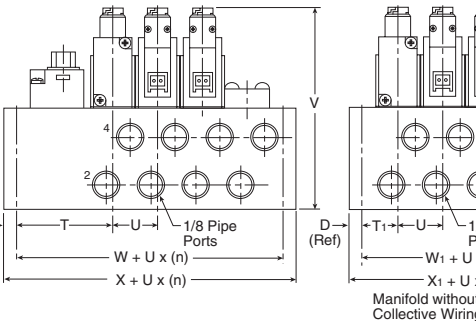
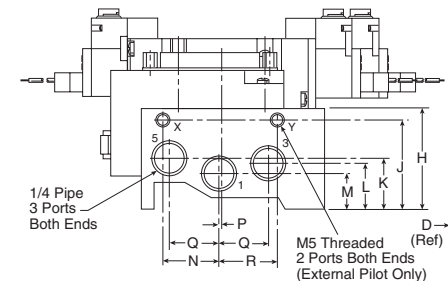
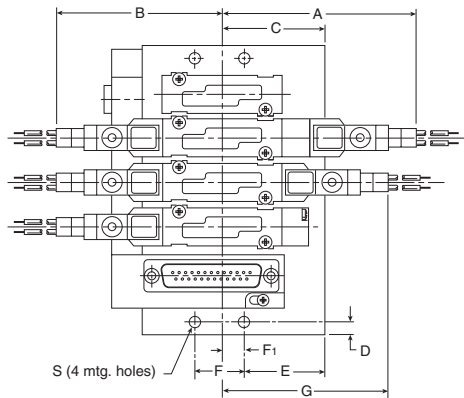


A05P – Manifold, Side Ports

| A | B | C | D | E |
|---------------|------------------|--------------|--------------|---------------|
| 2.52 (64) | 2.21 (56) | 1.12 (29) | .16 (4) | 1.00 (26) |
| F | F1 | G | H | J |
| .63 (16) | .19 (5) | 2.21 (56) | 1.26 (32) | 1.08 (28) |
| L | M | N | P | Q |
| .59 (15) | .45 (11.5) | .55 (14) | .13 (3) | .63 (16) |
| R | S | T | T1 | U |
| .71 (18) | ∅ .18 ∅ (4.5) | 1.34 (34) | .39 (10) | .49 (12.5) |
| U1 | V | W | W1 | X |
| .41 (10.5) | 2.64 (67) | 1.32 (34) | .37 (10) | 1.65 (42) |
| X1 | .67 (18) | | | |

Inches (mm)

A12P Manifold – Side Ports



A12P – Manifold, Side Ports

| A | B | C | D | E | F | |
|--------------|--------------|---------------|--------------|--------------|------------------|-------------|
| 3.01 (77) | 2.58 (66) | 1.59 (40) | .20 (5) | 1.25 (32) | .77 (20) | |
| F | G | H | J | K | L | |
| .34 (9) | 2.58 (66) | 1.57 (40) | 1.38 (35) | .79 (20) | .71 (18) | |
| M | N | P | Q | R | S | |
| .55 (14) | .87 (22) | .04 (1) | .77 (20) | .91 (23) | ∅ .18 ∅ (4.5) | |
| T | T1 | U | V | W | W1 | |
| 1.48 (38) | .59 (13) | .69 (17.5) | 3.09 (79) | 1.34 (34) | .33 (9) | |
| X | X1 | 1.73 (44) | | | | .73 (19) |

Inches (mm)



Viking Lite Series

Viking Xtreme Series

B Series

ADEX Series

N Series

D

Inline Valve Products

N Series

For decades Parker Pneumatics and Heavy Industrial have been synonymous with durability and long life. High flow-speed N Series poppet valves have been operating in foundries, steel mills, and automotive casting & stamping plants without fail.

Features

- Continuous duty rated option
- Non-lube service
- Hi-flow, short stroke poppet
- Indicator lights available

Specifications

- 2-way NC
- 3-way NO & NC
- Selector function

Ports

- 3/8" Body – 3/8", 1/2" NPT
- 3/4" Body – 1/2", 3/4", 1" NPT
- 1-1/4" Body – 1", 1-1/4", 1-1/2" NPT
- BSPP "G" threads available

Certification / approval

- Approved to be CE marked (Standard L-Pilot & P-Pilot)
- NEMA 4 Option
- Hazardous Duty Option IP 65 Rating / NEMA 4

Material specifications

| | |
|-----------------|---|
| Valve body | Cast aluminum |
| Poppet assembly | Aluminum and stainless steel |
| Pilot Valve | Zinc, stainless steel, brass, copper, zinc plated steel |
| Seals | Nitrile |

Lubrication

The high speed poppet valves are pre-lubricated to permit use with non-lubricated air. However, air should be lubricated to assure maximum seal life.

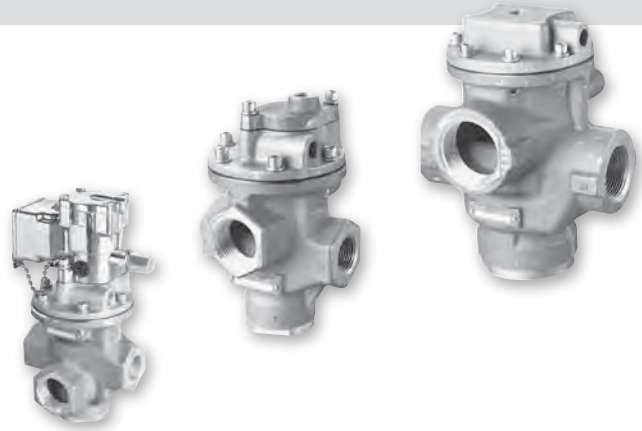
F442 lubricating oil is recommended. This oil is specially formulated to provide peak performance and maximum service life from air-operated equipment.

Installation

CAUTION: DO NOT RESTRICT THE INLET TO POPPET VALVES

Restriction of the inlet can starve the air supply to the pilot section of internally piloted poppet valves and result in slow shifting or failure of the valve to shift properly. Always connect the supply line directly to the inlet of the valve using the full pipe size of the valve inlet. Never use a quick coupling to connect a poppet valve to the air supply. On valves with a small inlet port, use of an upstream surge tank may be required at lower operating pressures to insure an adequate air supply and proper operation.

 Most popular.



Operating information

Operating pressure:

Solenoid valves - internal pilot

| 3/8" Basic | 3/4" Basic |
|---------------------------|---|
| 20 to 140 PSIG (standard) | 25 to 140 PSIG (200 PSIG option available) |

Solenoid valves - external supply

| Air pressure thru valve (PSI) | External pilot pressure required (PSI)* | |
|-------------------------------|---|------------|
| | 3/8" Basic | 3/4" Basic |
| 25 PSI | 35-200 | 35-200 |
| 50 PSI | 45-200 | 40-200 |
| 75 PSI | 55-200 | 50-200 |
| 100 PSI | 65-200 | 65-200 |

Vacuum up to 1" HG, less than a perfect vacuum.

* With 200 PSI option. Do not exceed 140 PSI with standard pilots.

Internal pilot - remote pilot valve

| Air pressure thru valve (PSI) | Remote pilot pressure (PSI) | | |
|-------------------------------|-----------------------------|------------|--------------|
| | 3/8" Basic | 3/4" Basic | 1-1/4" Basic |
| 25 PSI | 30-250 | 30-250 | 30-250 |
| 50 PSI | 50-250 | 50-250 | 50-250 |
| 75 PSI | 70-250 | 75-250 | 70-250 |
| 100 PSI | 95-250 | 95-250 | 90-250 |
| 150 PSI | 140-250 | 145-250 | 130-250 |
| 200 PSI | 175-250 | 185-250 | 175-250 |
| 250 PSI | 215-250 | 230-250 | 205-250 |

Operating temperature:

| Operator type | Duty cycle* | Minimum ambient temperature | Maximum ambient temperature |
|------------------|----------------|-----------------------------|-----------------------------|
| Standard service | Intermittent | 0°F (-18°C) | 125°F (52°C) |
| Solenoid | Continuous | 0°F (-18°C) | 100°F (38°C) |
| Special service | Intermittent | 0°F (-18°C) | 125°F (52°C) |
| Solenoid | Continuous | 0°F (-18°C) | 125°F (52°C) |
| Remote pilot | Not applicable | 0°F (-18°C) | 200°F (93°C) |

* Applications with pilot valves energized for ten (10) minutes or longer with a duty cycle greater than 70% are considered to be continuously energized.

$$\text{Duty cycle} = \frac{\text{Time energized}}{\text{Time energized} + \text{time off}} \times 100\% = \% \text{ Duty Cycle}$$

Viking Lite Series

Viking Xtreme Series

B Series

ADEX Series



N Series

D

Inline Valve Products





Single Solenoid, Non-locking manual override, internal "P" pilot 140 PSI, standard service, junction box w/ light.

| Body size | | Cv | In / cyl ports | Exhaust port | Voltage | 2-way, 2-position normally closed | 3-way, 2-position normally closed | 3-way, 2-position normally open |
|---|---|-------------|--------------------|--------------------|--------------------|-----------------------------------|-----------------------------------|---------------------------------|
|  |  | 3.0 to 4.4 | 3/8" | 1/2" | 120VAC | N3153904553 | N3553904553 | N3753904553 |
| | | | | | 24VDC | N3153904549 | N3553904549 | N3753904549 |
| | | | 1/2" | 1/2" | 120VAC | N3154904553 | N3554904553 | N3754904553 |
| | | | | | 24VDC | N3154904549 | N3554904549 | N3754904549 |
| | | 9.0 to 11.0 | 1/2" | 3/4" | 120VAC | N3155904553 | N3555904553 | N3755904553 |
| | | | | | 24VDC | N3155904549 | N3555904549 | N3755904549 |
| 3/4" | 1" | | 120VAC | N3156904553 | N3556904553 | N3756904553 | | |
| | | | 24VDC | N3156904549 | N3556904549 | N3756904549 | | |
| 1" | 1" | 120VAC | N3157904553 | N3557904553 | N3757904553 | | | |
| | | 24VDC | N3157904549 | N3557904549 | N3757904549 | | | |



Normally Closed Normally Open

Single Solenoid, Non-locking manual override, internal "P" pilot 125 PSI, standard service, P-pilot junction box w/ light.

| Body size | | Cv | In / cyl ports | Exhaust port | Voltage | 2-way, 2-position normally closed | 3-way, 2-position normally closed | 3-way, 2-position normally open | |
|--|--|--------------|----------------|--------------|---------|-----------------------------------|-----------------------------------|---------------------------------|--------------------|
|  |  | 20.0 to 30.0 | 1-1/4" | 1-1/4" | 120VAC | N3257904753 | N3657904753 | N3857904753 | |
| | | | | 1-1/4" | 1-1/2" | 120VAC | N3258904753 | N3658904753 | N3858904753 |
| | | | | 1-1/2" | 1-1/2" | 120VAC | N3259904753 | N3659904753 | N3859904753 |



Normally Closed Normally Open

Single Remote Pilot, 1/4" NPT remote pilot port with internal pilot return.

| Body size | | Cv | In / cyl ports | Exhaust port | 2-way, 2-position normally closed | 3-way, 2-position normally closed | 3-way, 2-position normally open | |
|---|---|-------------|----------------|--------------|-----------------------------------|-----------------------------------|---------------------------------|------------------|
|  |  | 3.0 to 4.4 | 3/8" | 1/2" | N31431091 | N35431091 | N37431091 | |
| | | | | 1/2" | 1/2" | N31441091 | N35441091 | N37441091 |
| | | | 1/2" | 3/4" | 120VAC | N31451091 | N35451091 | N37451091 |
| | | | | | 24VDC | N31461091 | N35461091 | N37461091 |
| | | 9.0 to 11.0 | 3/4" | 1" | 120VAC | N31471091 | N35471091 | N37471091 |
| | | | | | 24VDC | N31471091 | N35471091 | N37471091 |

Normally Closed Normally Open

Single Remote Pilot, 1/4" NPT remote pilot port with internal pilot return.

| Body size | | Cv | In / cyl ports | Exhaust port | 2-way, 2-position normally closed | 3-way, 2-position normally closed | 3-way, 2-position normally open | |
|---|---|--------------|----------------|--------------|-----------------------------------|-----------------------------------|---------------------------------|------------------|
|  |  | 20.0 to 30.0 | 1-1/4" | 1-1/4" | N32471091 | N36471091 | N38471091 | |
| | | | | 1-1/4" | 1-1/2" | N32481091 | N36481091 | N38481091 |
| | | | | 1-1/2" | 1-1/2" | N32491091 | N36491091 | N38491091 |

Normally Closed Normally Open

Viking Lite Series
 Viking Xtreme Series
 B Series
 ADEX Series
 N Series
D
 Inline Valve Products



"N" Series 3/8", 3/4" & 1-1/4" Body Sizes - Solenoid 'L' Pilot

N 315 3 9 0 45 53

| Valve function - solenoid | |
|---------------------------|-----|
| 3/8" & 3/4" Body | |
| 2-way, normally closed | 315 |
| 3-way, normally closed | 355 |
| 3-way, normally open | 375 |
| 1-1/4" Body | |
| 2-way, normally closed | 325 |
| 3-way, normally closed | 365 |
| 3-way, normally open | 385 |

| Port size / thread type | |
|--|----|
| 3/8" Body size | |
| 3/8" Inlet & cyl - 1/2" exhaust - NPT | 3 |
| 1/2" inlet & cyl - 1/2" exhaust - NPT | 4 |
| 1/2" inlet & cyl - 1/2" exhaust - BSPP | N |
| 3/4" body size | |
| 1/2" inlet & cyl - 3/4" exhaust - NPT | 5 |
| 3/4" inlet & cyl - 1" exhaust - NPT | 6 |
| 3/4" inlet & cyl - 1" exhaust - BSPP | Q |
| 1" inlet & cyl - 1" exhaust - NPT | 7 |
| 1-1/4" body size | |
| 1" inlet & cyl - 1 1/4" exhaust - NPT | 7 |
| 1-1/4" inlet & cyl - 1-1/2" exhaust - NPT | 8 |
| 1-1/4" inlet & cyl - 1-1/2" exhaust - BSPP | S* |
| 1-1/2" inlet & cyl - 1-1/2" exhaust - NPT | 9 |
| 1-1/2" inlet & cyl - 1-1/2" exhaust - BSPP | T* |

* Not available with valve function 325.
 Note: BSPP is to the ISO 228 standard, and requires an R-BSPT male fitting.

| "L" pilot code | | | | | | |
|----------------|---------|---------|----|------------------------------|---------------------|--------------|
| Code | Voltage | | | Solenoid enclosure options | | |
| | AC 60hz | AC 50hz | DC | Standard duty (01, 45) | Cont. duty (04, 48) | 200 PSI (46) |
| 49 | | | 24 | 1, 2, 3, 5, 6, 8, 9, W | 6, 8, 9 | 9 |
| 53 | 120 | 110 | | 1, 2, 3, 5, 6, 8, 9, E, N, W | 1, 6, 8, 9, N | 8, 9, E |
| 57 | 240 | 220 | | 1, 3, W | | |

| "L" pilot configuration | |
|-------------------------|--------------------------------------|
| 01* | External pilot, std service, 140 PSI |
| 04* | External pilot, cont duty, 140 PSI |
| 45 | Internal pilot, std service, 140 PSI |
| 48 | Internal pilot, cont duty, 140 PSI |

* Not available with valve function 325, 365, and 385 (1-1/4" body).

| Solenoid type | |
|---------------|----------|
| 0 | Standard |

| Solenoid enclosure | |
|--------------------|----------------------------|
| 1 | Basic pilot |
| 2 | Basic pilot NLMO |
| 3 | Basic pilot LMO |
| 5 | Junction box NLMO |
| 6 | Junction box LMO |
| 8 | Junction box NLMO w/ light |
| 9 | Junction box LMO w/ light |
| W | Basic pilot ext. LMO |

Viking Lite Series

Viking Xtreme Series

B Series

ADEX Series

N Series

D

Inline Valve Products

"N" Series 1-1/4" Body Sizes - Solenoid Hi-Flow 'P' Pilot

N 365 8 9 0 47 53

| Valve function - solenoid | |
|---------------------------|-----|
| 1-1/4" body | |
| 2-Way, normally closed | 325 |
| 3-Way, normally closed | 365 |
| 3-Way, normally open | 385 |

| Port size / thread type | |
|--|---|
| 1-1/4" body size | |
| 1" inlet & cyl - 1 1/4" exhaust - NPT | 7 |
| 1-1/4" inlet & cyl - 1-1/2" exhaust - NPT | 8 |
| 1-1/4" inlet & cyl - 1-1/2" exhaust - BSPP | S |
| 1-1/2" inlet & cyl - 1-1/2" exhaust - NPT | 9 |
| 1-1/2" inlet & cyl - 1-1/2" exhaust - BSPP | T |

Note: BSPP is to the ISO 228 standard, and requires an R-BSPT male fitting.

| "P" pilot code | | | | | |
|----------------|---------|---------|----|-------------------|--|
| Code | Voltage | | | Enclosure options | |
| | AC 60hz | AC 50hz | DC | Standard duty | |
| 49 | | | 24 | 5, 6 | |
| 53 | 120 | 110 | | 5, 6, 8, 9 | |

| "P" pilot configuration | |
|-------------------------|--------------------------------------|
| 02 | External pilot, std service, 125 PSI |
| 47 | Internal pilot, std service, 125 PSI |

| Solenoid type | |
|---------------|----------|
| 0 | Standard |

| Solenoid enclosure | |
|--------------------|----------------------------|
| 5 | Junction box NLMO |
| 6 | Junction box LMO |
| 8 | Junction box NLMO w/ light |
| 9 | Junction box LMO w/ light |



Replacement Pilots

| Description | Standard L-pilot | | Continuous duty L-pilot | |
|---|-------------------|-------------------|-------------------------|-------------------|
| | Locking | Non-locking | Locking | Non-locking |
| Basic with override | K0653035** | K0652035** | K0853025** | K0852025** |
| JIC with junction box & override | K0656035** | K0655035** | K0856025** | K0855025** |
| JIC pilot with junction box & override & indicator lights (120VAC only) | K0659035** | K0658035** | K0859025** | K0858025** |

** Voltage code - (reference model index for availability)



Replacement Pilots

| Description | Hazardous duty L-pilot | | NEMA 4 L-pilot | |
|-----------------------------------|------------------------|-------------------|-------------------|-------------------|
| | Locking | Non-Locking | Locking | Non-Locking |
| Hazardous duty L-pilot - UL & CSA | K0451025** | N/A | | |
| Hazardous duty with override | K0453025** | K0452025** | | |
| NEMA 4 with override | | | K2553025** | K255202549 |

** Voltage code - 49 & 53



Replacement Pilots

| Description | Heavy duty P-Pilot | | |
|---|--------------------|-------------------|-------------------|
| | No override | Non-locking | Locking |
| Basic with override | K1351045** | N/A | N/A |
| JIC with junction box & override | N/A | K1355045** | K1356045** |
| JIC Pilot with junction box & override & indicator lights (120VAC only) | N/A | K135804553 | K135904553 |

** Voltage code - 49 & 53



Coils for L-Pilot Operated Valves

| Voltage Code ** | Voltage | | | Coil | |
|-----------------|---------|------|---------------------|----------------|-----------|
| | 60Hz | 50Hz | DC | 19" Leads | 72" Leads |
| 40 | 12 | — | — | K593007 | — |
| 41,42 | 24 | — | 6 | K593003 | — |
| 45* | — | — | 12 | K593010 | — |
| 49* | — | — | 24 (Standard) | K593014 | — |
| 79 | — | — | 24 (Arc Suppressed) | K593271 | — |
| 51* | — | — | 48 | — | K593185 |
| 53* | 120 | 110 | — | K593025 | — |
| 57* | 240 | 240 | — | K593035 | — |
| 60 | 240 | 220 | — | K593035 | — |
| 61 | — | — | 120 | K593041 | — |

* Indicates voltages approved for solenoid operators designed for use in hazardous locations.

Coils for P-Pilot Operated Valves

| Voltage Code ** | Voltage | | | Coil | |
|-----------------|---------|------|----|----------------|-----------|
| | 60Hz | 50Hz | DC | 19" Leads | 72" Leads |
| 42 | 24 | — | — | K593099 | — |
| 43 | — | 24 | — | K593098 | — |
| 45 | — | — | 12 | K593094 | — |
| 49 | — | — | 24 | K593097 | — |
| 51 | — | — | 48 | — | K593254 |
| 53 | 115 | — | — | K593108 | — |
| 58 | — | 230 | — | K593111 | — |

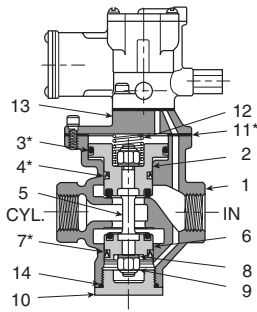
N □ □ □ □ □ □ □ * *
 Voltage Code

Viking Lite Series
 Viking Xtreme Series
 B Series
 ADEX Series
 N Series
D
 Inline Valve Products

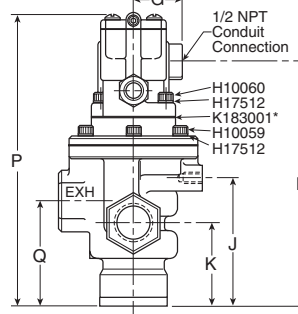
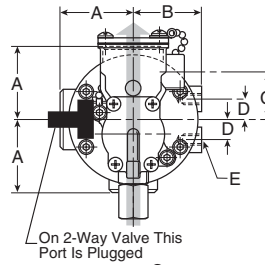
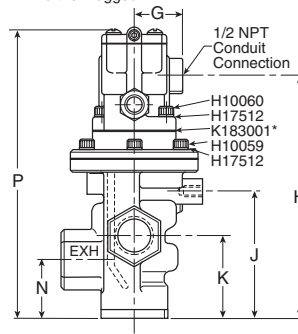
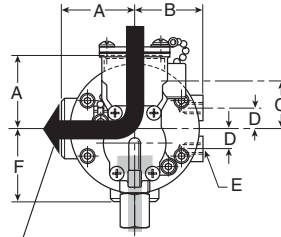
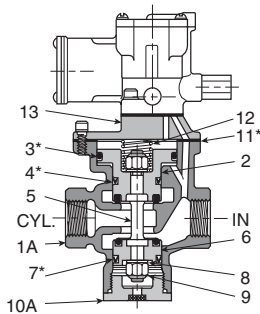


Internal Pilot - 3/8" & 3/4" Basic Body

Normally Closed



Normally Open



Exhaust
Pressure

Top view indicates flow through 3-Way valve with coil de-energized.

NOTE: For normal valve operation, override must be in "out" position.

Internal Pilot - 3/8" & 3/4" Basic Body

| Key | 3/8" Body | | 3/4" Body | |
|-----|-------------------------|-----|-------------------------|-----|
| | Inch | mm | Inch | mm |
| A | 1.56 | 40 | 2.13 | 54 |
| B | 1.50 | 38 | 1.94 | 49 |
| C | 1.81 | 46 | 1.34 | 34 |
| D | .56 | 14 | .56 | 14 |
| E | 3/8-16UNC 7/16" deep | | 3/8-16UNC 9/16" deep | |
| F | 1.75 | 44 | 2.25 | 57 |
| G | 1.50 | 38 | 1.50 | 38 |
| H | 5.92 | 150 | 7.14 | 181 |
| J | 3.19 | 81 | 3.75 | 95 |
| K | 1.88 | 47 | 2.44 | 62 |
| N | 1.44 | 37 | 1.78 | 45 |
| P | 7.36 | 196 | 8.58 | 218 |
| Q | 2.31 | 59 | 3.09 | 84 |

Service Kits

Include all parts normally required for in-service maintenance:

- 3/8" Basic valve with standard service L-Pilots..... **K352076**
- 3/8" Basic valve with continuous duty L-Pilots..... **K352276**
- 3/4" Basic valve with standard service L-Pilots..... **K352077**
- 3/4" Basic valve with continuous duty L-Pilots..... **K352277**

| Key | 3/8" Valve | 3/4" Valve | Description |
|-----|---------------------|---------------------|-------------------|
| 1 | — | 1/2" Tap K053075 | Body (N.C.) |
| | 3/8" Tap K053022 | 3/4" Tap K053076 | |
| | 1/2" Tap K053023 | 1" Tap K053220 | |
| 1A | — | 3/4" Tap K053077 | Body (N.O.) |
| | 3/8" Tap K053025 | 3/4" Tap K053078 | |
| | 1/2" Tap K053026 | 1" Tap K053218 | |
| 2 | K212001 | K212002 | Upper piston assy |
| 3* | H13648 | H13728 | Seal |

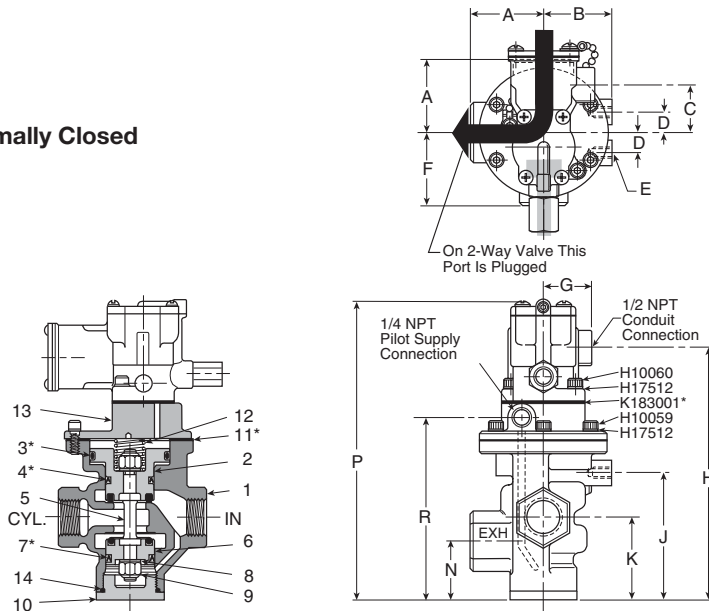
| Key | 3/8" Valve | 3/4" Valve | Description |
|-----|------------|------------|---------------------------|
| 4* | H14510 | H13676 | U-cup (3/8), o-ring (3/4) |
| 5 | K493002 | K493009 | Stem |
| 6 | K202001 | K202002 | Lower piston assy. |
| 7* | H14509 | H13676 | U-cup (3/8), o-ring (3/4) |
| 8 | H17811 | H17813 | Washer (2) |
| 9 | H06326 | H06332 | Stop nut (2) |
| 10 | K103035 | K103053 | Bottom cap (N.C.) |
| 10A | K092020 | K092034 | Bottom cap assy. (N.O.) |
| 11* | K183049 | K183057 | Gasket |
| 12 | K473014 | K473015 | Spring |
| 13 | K563015 | K563017 | Adapter |
| 14* | K41RB72121 | K41RB72221 | O-ring |

* Parts included in seal kit

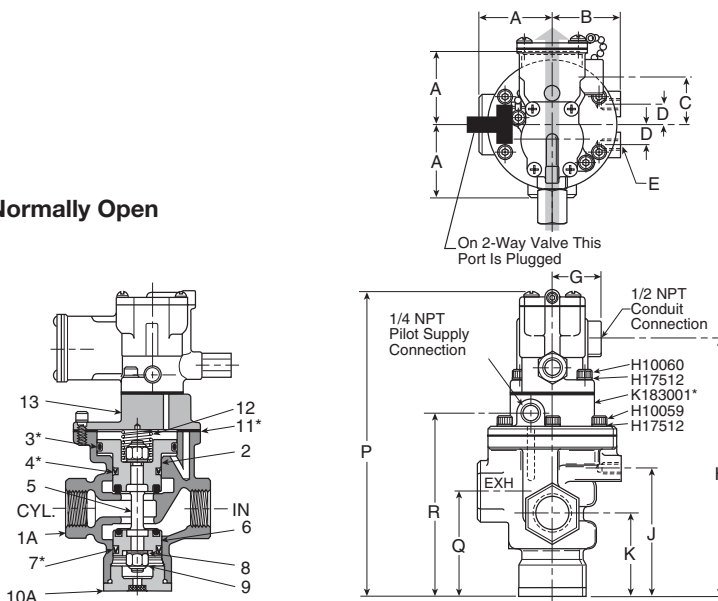


External Pilot - 3/8" & 3/4" Basic Body

Normally Closed



Normally Open



Exhaust
Pressure

Top view indicates flow through 3-Way valve with coil de-energized.

NOTE: For normal valve operation, override must be in "out" position.

External Pilot - 3/8" & 3/4" Basic Body

| Key | 3/8" Body | | 3/4" Body | |
|-----|-------------------------|-----|-------------------------|-----|
| | Inch | mm | Inch | mm |
| A | 1.56 | 40 | 2.13 | 54 |
| B | 1.50 | 38 | 1.94 | 49 |
| C | 1.81 | 46 | 1.34 | 34 |
| D | .56 | 14 | .56 | 14 |
| E | 3/8-16UNC 7/16" deep | | 3/8-16UNC 9/16" deep | |
| F | 1.75 | 44 | 2.25 | 57 |
| G | 1.50 | 38 | 1.50 | 38 |
| H | 6.42 | 163 | 7.45 | 189 |
| J | 3.19 | 81 | 3.75 | 95 |
| K | 1.88 | 47 | 2.44 | 62 |
| N | 1.44 | 37 | 1.78 | 45 |
| P | 7.86 | 200 | 8.89 | 226 |
| Q | 2.31 | 59 | 3.09 | 84 |
| R | 4.34 | 110 | 5.38 | 137 |

Service Kits

Include all parts normally required for in-service maintenance:

- 3/8" Basic valve with standard service L-Pilots..... **K352076**
- 3/8" Basic valve with continuous duty L-Pilots..... **K352276**
- 3/4" Basic valve with standard service L-Pilots..... **K352077**
- 3/4" Basic valve with continuous duty L-Pilots..... **K352277**

| Key | 3/8" Valve | 3/4" Valve | Description |
|-----|---------------------|---------------------|-------------------|
| 1 | — | 1/2" Tap K053067 | Body (N.C.) |
| | 3/8" Tap K053019 | 3/4" Tap K053069 | |
| | 1/2" Tap K053157 | 1" Tap K053221 | |
| 1A | — | 3/4" Tap K053065 | Body (N.O.) |
| | 3/8" Tap K053018 | 3/4" Tap K053070 | |
| | 1/2" Tap K053064 | 1" Tap K053219 | |
| 2 | K212001 | K212002 | Upper piston Assy |
| 3* | H13648 | H13728 | Seal |

| Key | 3/8" Valve | 3/4" Valve | Description |
|-----|------------|------------|-------------------------|
| 4* | K41RB72211 | H13676 | O-ring |
| 5 | K493002 | K493009 | Stem |
| 6 | K202001 | K202002 | Lower piston Assy. |
| 7* | K41RB72210 | H13676 | O-ring |
| 8 | H17811 | H17813 | Washer (2) |
| 9 | H06326 | H06332 | Stop nut (2) |
| 10 | K103035 | K103053 | Bottom cap (N.C.) |
| 10A | K092020 | K092034 | Bottom cap Assy. (N.O.) |
| 11 | K473014 | K473015 | Spring |
| 12* | K183049 | K183057 | Gasket |
| 13 | K563016 | K563021 | Adapter |
| 14* | K41RB72121 | K41RB72221 | O-ring |

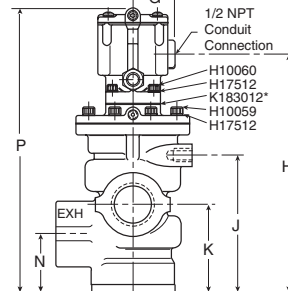
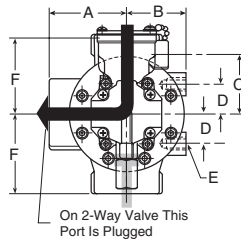
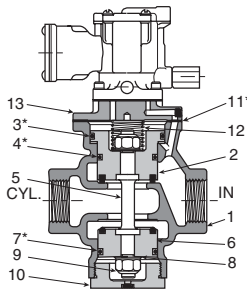
* Parts included in seal kit



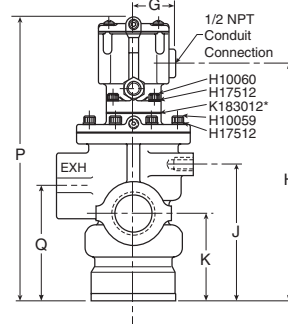
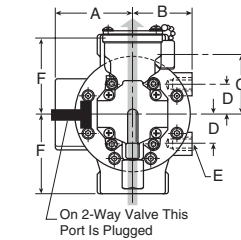
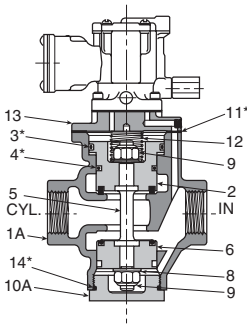
Viking Lite Series
 Viking Xtreme Series
 B Series
 ADEX Series
 N Series
 D
 Inline Valve Products

Internal Pilot - 1-1/4" Basic Body

Normally Closed



Normally Open



Exhaust
Pressure

Top view indicates flow through 3-Way valve with coil de-energized.

NOTE: For normal valve operation, override must be in "out" position.

Internal Pilot - 1-1/4" Basic Body

| Key | 1-14" Body | |
|-----|------------|----------|
| | Inch | mm |
| A | 3.00 | 76 |
| B | 2.25 | 57 |
| C | 1.34 | 34 |
| D | 1.19 | 30 |
| E | 1/2-13 UNC | 3/4 Deep |
| F | 3.13 | 80 |
| G | 1.50 | 38 |
| H | 9.30 | 236 |
| J | 5.34 | 136 |
| K | 3.44 | 87 |
| N | 2.31 | 59 |
| P | 11.14 | 283 |
| Q | 4.56 | 116 |

Service Kits

Include all parts normally required for in-service maintenance:

1-1/4" Basic valve with standard service P-Pilots **K352078**

| Key | 1-1/4" Valve | Description |
|-----|-----------------------|-------------------|
| 1 | 1" Tap K053111 | Body (N.C.) |
| | 1-1/4" Tap K053112 | |
| | 1-1/2" Tap K053113 | |
| 1A | 1" Tap K053114 | Body (N.O.) |
| | 1-1/4" Tap K053115 | |
| | 1-1/2" Tap K053116 | |
| 2 | K313029 | Upper piston assy |
| 3* | H13752 | O-ring |

| Key | 1-1/4" Valve | Description |
|-----|--------------|-------------------|
| 4* | H13728 | Seal |
| 5 | K493016 | Stem |
| 6 | K313028 | Lower piston |
| 7* | H13728 | Seal |
| 8 | H17817 | Washer |
| 9 | H06338 | Stop nut |
| 10 | K092046 | Bottom cap (N.C.) |
| 10A | K103061 | Bottom cap (N.O.) |
| 11* | K183058 | Gasket |
| 12 | K473016 | Spring |
| 13 | K012003 | Adapter |
| 14* | K41RB72143 | O-ring |

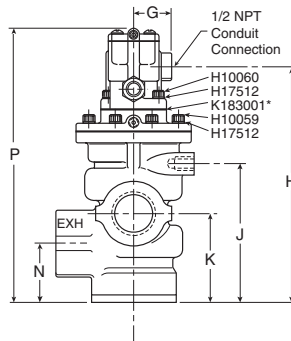
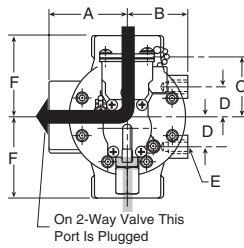
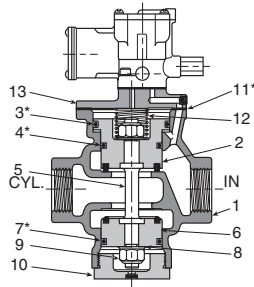
* Parts included in seal kit



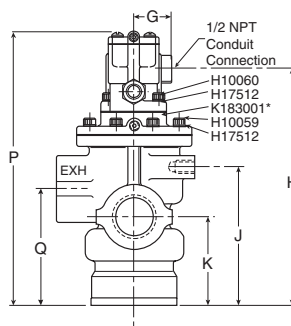
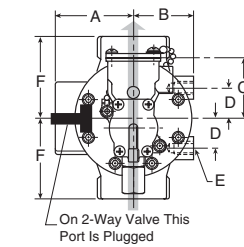
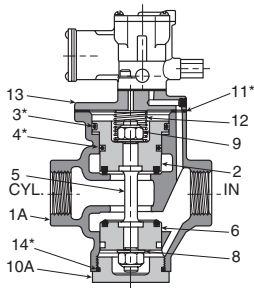
Viking Lite Series
 Viking Xtreme Series
 B Series
 ADEX Series
 N Series
 D Inline Valve Products

Continuous Duty Pilot - 1-1/4" Basic Body

Normally Closed



Normally Open



Exhaust
Pressure

Top view indicates flow through 3-Way valve with coil de-energized.

NOTE: For normal valve operation, override must be in "out" position.

Continuous Duty Pilot - 1-1/4" Basic Body

| Key | 1-1/4" Body | |
|-----|-------------|----------|
| | Inch | mm |
| A | 3.00 | 76 |
| B | 2.25 | 57 |
| C | 1.34 | 34 |
| D | 1.19 | 30 |
| E | 1/2-13 UNC | 3/4 Deep |
| F | 3.13 | 80 |
| G | 1.50 | 38 |
| H | 9.02 | 229 |
| J | 5.34 | 136 |
| K | 3.44 | 87 |
| N | 2.31 | 59 |
| P | 10.45 | 265 |
| Q | 4.56 | 116 |

Service Kits

Include all parts normally required for in-service maintenance:

1-1/4" Basic valve with continuous duty L-Pilot **K352080**

| Key | 1-1/4" Valve | Description |
|-----|-----------------------|-------------------|
| 1 | 1" Tap K053111 | Body (N.C.) |
| | 1-1/4" Tap K053112 | |
| | 1-1/2" Tap K053113 | |
| 1A | 1" Tap K053114 | Body (N.O.) |
| | 1-1/4" Tap K053115 | |
| | 1-1/2" Tap K053116 | |
| 2 | K313029 | Upper piston assy |
| 3* | H13752 | O-Ring |

| Key | 1-1/4" Valve | Description |
|-----|--------------|-------------------|
| 4* | H13728 | Seal |
| 5 | K493016 | Stem |
| 6 | K313028 | Lower piston |
| 7* | H13728 | Seal |
| 8 | H17817 | Washer |
| 9 | H06338 | Stop nut |
| 10 | K092046 | Bottom cap (N.C.) |
| 10A | K103061 | Bottom cap (N.O.) |
| 11* | K183058 | Gasket |
| 12 | K473016 | Spring |
| 13 | K012003 | Adapter |
| 14* | K41RB72143 | O-ring |

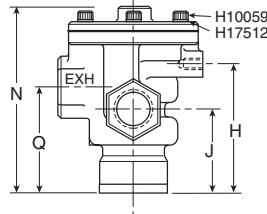
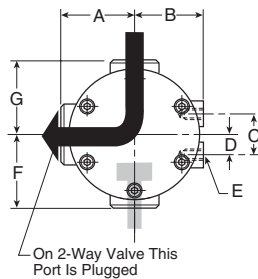
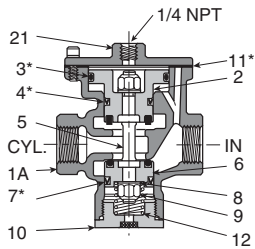
* Parts included in seal kit



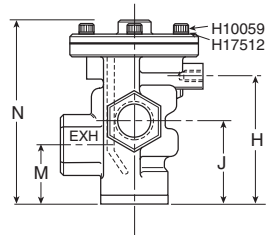
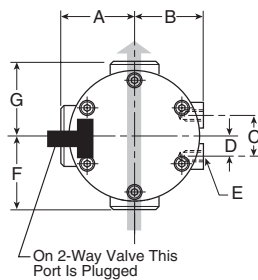
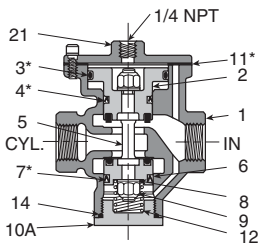
| |
|----------------------------|
| Viking Lite Series |
| Viking Xtreme Series |
| B Series |
| ADEX Series |
| N Series |
| D Inline Valve Products |

Internal Return - 3/8", 3/4", 1-1/4" Basic Body

Normally Closed



Normally Open



Exhaust
Pressure

Top view indicates flow through 3-Way valve.

NOTE: For normal valve operation, override must be in "out" position.

Internal Return - 3/8", 3/4", 1-1/4" Basic Body

| Key | 3/8" Body | | 3/4" Body | | 1-1/4" Body | |
|-----|-----------|-----|-----------|-----|-------------|-----|
| | Inch | mm | Inch | mm | Inch | mm |
| H | 3.19 | 81 | 3.75 | 95 | 5.34 | 136 |
| J | 1.88 | 48 | 2.44 | 62 | 3.44 | 87 |
| M | 1.44 | 37 | 1.78 | 45 | 2.66 | 67 |
| N | 4.22 | 107 | 5.31 | 135 | 7.19 | 183 |
| Q | 2.31 | 59 | 3.09 | 78 | 4.56 | 116 |

Service Kits

Include all parts normally required for in-service maintenance:

| | |
|--------------------------|----------------|
| 3/8" Basic valve..... | K352073 |
| 3/4" Basic valve..... | K352074 |
| 1-1/4" Basic valve | K352075 |

| Key | 3/8" Valve | 3/4" Valve | 1-1/4" Valve | Description |
|-----|---------------------|---------------------|-----------------------|-------------------|
| 1 | — | 1/2" Tap K053075 | 1" Tap K053111 | Body (N.O.) |
| | 3/8" Tap K053022 | 3/4" Tap K053076 | 1-1/4" Tap K053112 | |
| | 1/2" Tap K053023 | 1" Tap K053220 | 1-1/2" Tap K053113 | |
| 1A | — | 1/2" Tap K053077 | 1" Tap K053114 | Body (N.C.) |
| | 3/8" Tap K053025 | 3/4" Tap K053078 | 1-1/4" Tap K053115 | |
| | 1/2" Tap K053026 | 1" Tap K053218 | 1-1/2" Tap K053116 | |
| 2 | K212001 | K212002 | K313029 | Upper piston assy |
| 3* | H13648 | H13728 | H13752 | Seal |
| 4* | H14510 | H13676 | H13728 | Seal |

| Key | 3/8" Valve | 3/4" Valve | 1-1/4" Valve | Description |
|-----|------------|------------|--------------|--------------------|
| 5 | K493002 | K493009 | K493016 | Stem |
| 6 | K202001 | K202002 | K313028 | Lower piston assy. |
| 7* | H13499 | H13676 | H13728 | Seal |
| 8 | H17811 | H17813 | H17817 | Washer (2) |
| 9 | H06326 | H06332 | H06338 | Stop nut (2) |
| 10 | K092020 | K092034 | K092046 | Bottom cap (N.C.) |
| 10A | K103035 | K103053 | K103061 | Bottom cap (N.O.) |
| 11* | K183049 | K183057 | K183058 | Gasket |
| 12 | K473014 | K473015 | K473016 | Spring |
| 14* | K41RB72121 | K41RB72221 | K41RB72143 | O-ring |
| 21 | K123018 | K123021 | K123024 | Cover |

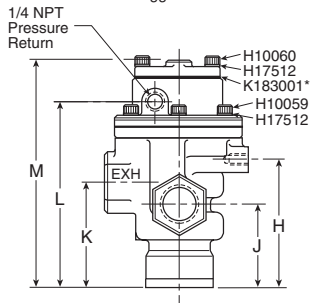
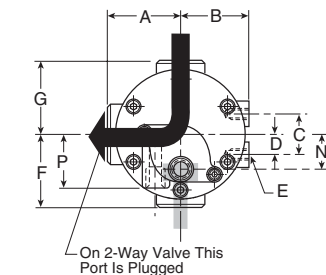
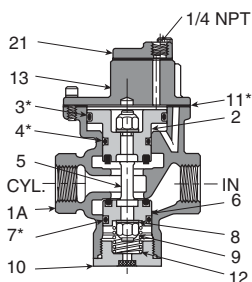
* Parts included in seal kit



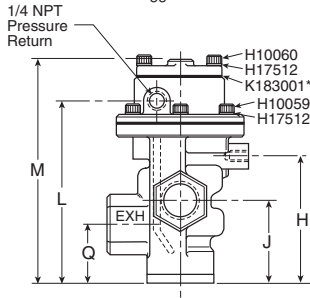
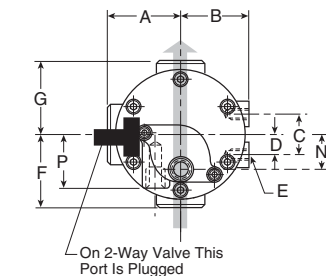
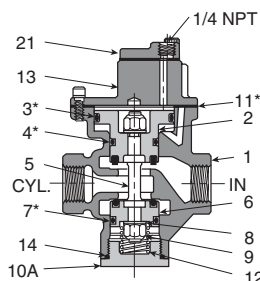
Viking Lite Series
 Viking Xtreme Series
 B Series
 ADEX Series
 N Series
 D Inline Valve Products

External Return - 3/8", 3/4", 1-1/4" Basic Body

Normally Closed



Normally Open



Exhaust
Pressure

Top view indicates flow through 3-Way valve.

NOTE: For normal valve operation, override must be in "out" position.

Internal Return - 3/8", 3/4", 1-1/4" Basic Body

| Key | 3/8" Body | | 3/4" Body | | 1-1/4" Body | |
|-----|-------------------------|-----|--------------------------|-----|------------------------|-----|
| | Inch | mm | Inch | mm | Inch | mm |
| A | 1.56 | 40 | 2.13 | 54 | 3.00 | 76 |
| B | 1.50 | 38 | 1.94 | 49 | 2.25 | 57 |
| C | 1.13 | 29 | 1.13 | 29 | 2.38 | 60 |
| D | .56 | 14 | .56 | 14 | 1.19 | 30 |
| E | 3/8-16UNC 7/16" deep | | 3/8- 16UNC 9/16" deep | | 1/2-13UNC 3/4" deep | |
| F | 1.75 | 44 | 2.25 | 57 | 3.13 | 79 |
| G | 1.56 | 40 | 2.13 | 54 | 3.13 | 79 |
| H | 3.19 | 81 | 3.75 | 95 | 5.34 | 136 |
| J | 1.88 | 48 | 2.44 | 62 | 3.44 | 87 |
| K | 2.31 | 59 | 3.09 | 78 | 4.56 | 116 |
| L | 4.34 | 110 | 5.38 | 137 | 7.31 | 186 |
| M | 5.31 | 135 | 6.34 | 161 | 7.88 | 200 |
| N | Left of center .53 | | On center 1.00 | | On center 25 | |
| Q | 1.44 | 37 | 1.78 | 45 | 2.31 | 59 |

Service Kits

Include all parts normally required for in-service maintenance:

- 3/8" Basic valve..... **K352031**
- 3/4" Basic valve..... **K352056**
- 1-1/4" Basic valve **K352083**

| Key | 3/8" Valve | 3/4" Valve | 1-1/4" Valve | Description |
|-----|---------------------|---------------------|-----------------------|-------------------|
| 1 | 1/4" Tap K053011 | 1/2" Tap K053067 | 1" Tap K053143 | Body (N.O.) |
| | — | 3/4" Tap K053069 | 1-1/4" Tap K053110 | |
| | 1/2" Tap K053157 | 1" Tap K053221 | 1-1/2" Tap K053146 | |
| | 1/4" Tap K053010 | 1/2" Tap K053065 | 1" Tap K053159 | |
| 1A | — | 3/4" Tap K053070 | 1-1/4" Tap K053144 | Body (N.C.) |
| | 1/2" Tap K053064 | 1" Tap K053219 | 1-1/2" Tap K053145 | |
| 2 | K212001 | K212002 | K313029 | Upper piston assy |
| 3* | H13648 | H13728 | H13752 | Seal |
| 4* | H13529 | H13676 | H13728 | Seal |

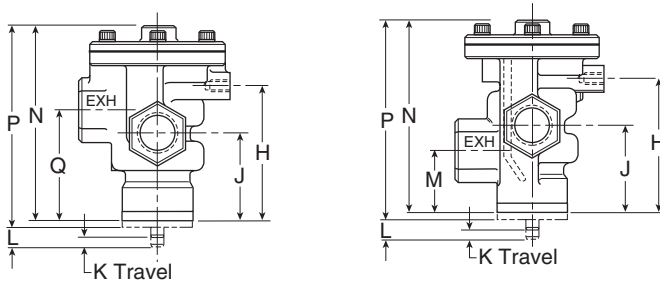
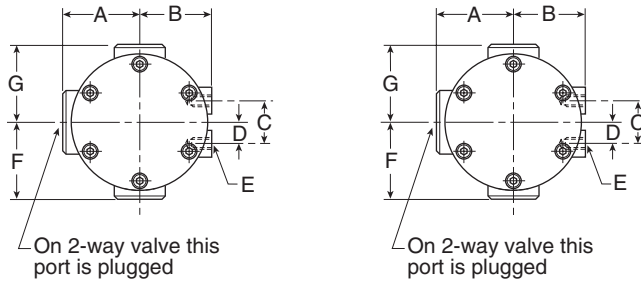
| Key | 3/8" Valve | 3/4" Valve | 1-1/4" Valve | Description |
|-----|------------|------------|--------------|-------------------------|
| 5 | K493002 | K493009 | K493016 | Stem |
| 6 | K202001 | K202002 | K313028 | Lower piston assy. |
| 7* | H13499 | H13676 | H13728 | Seal |
| 8 | H17811 | H17813 | H17817 | Washer (2) |
| 9 | H06326 | H06332 | H06338 | Stop nut (2) |
| 10 | K092020 | K092034 | K092046 | Bottom cap assy. (N.C.) |
| 10A | K103035 | K103053 | K103061 | Bottom cap (N.O.) |
| 11* | K183049 | K183057 | K183058 | Gasket |
| 12 | K473014 | K473015 | K473016 | Spring |
| 13 | K563016 | K563021 | K563027 | Adapter |
| 14* | K41RB72121 | K41RB72221 | K41RB72143 | O-ring |
| 21 | K323027 | K323027 | Not used | Cover |

* Parts included in seal kit



Viking Lite Series
 Viking Xtreme Series
 B Series
 ADEX Series
 N Series
 D
 Inline Valve Products

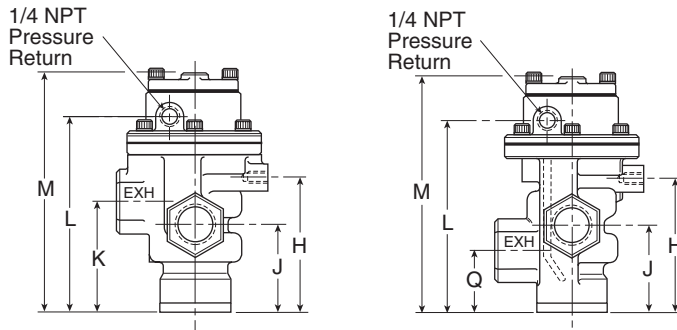
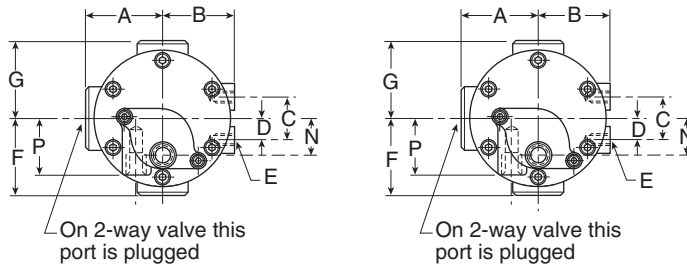
Internal Return - 3/8" & 3/4" Basic Body



Internal Return - 3/8" & 3/4" Basic Body

| Key | 3/8" Body | | 3/4" Body | | 1-1/4" Body | |
|-----|-------------------------|-----|-------------------------|-----|------------------------|-----|
| | Inch | mm | Inch | mm | Inch | mm |
| A | 1.56 | 40 | 2.13 | 54 | 3.00 | 76 |
| B | 1.50 | 38 | 1.94 | 49 | 2.25 | 57 |
| C | 1.13 | 29 | 1.13 | 29 | 2.38 | 60 |
| D | .56 | 14 | .56 | 14 | 1.19 | 30 |
| E | 3/8-16UNC 7/16" deep | | 3/8-16UNC 9/16" deep | | 1/2-13UNC 3/4" deep | |
| F | 1.75 | 44 | 2.25 | 57 | 3.13 | 79 |
| G | 1.56 | 40 | 2.13 | 54 | 3.13 | 79 |
| H | 3.19 | 81 | 3.75 | 95 | 5.34 | 136 |
| J | 1.88 | 48 | 2.44 | 62 | 3.44 | 87 |
| K | .50 | 13 | .50 | 13 | .50 | 13 |
| L | .11 | 3 | .16 | 4 | .25 | 6 |
| M | 1.44 | 37 | 1.78 | 45 | 2.66 | 67 |
| N | 4.22 | 107 | 5.31 | 135 | 7.19 | 183 |
| P | 4.78 | 121 | 5.56 | 141 | 7.53 | 191 |
| Q | 2.31 | 59 | 3.09 | 78 | 4.56 | 116 |

External Return - 3/8" & 3/4" Basic Body



Internal Return - 3/8" & 3/4" Basic Body

| Key | 3/8" Body | | 3/4" Body | | 1-1/4" Body | |
|-----|--------------------------|-----|-------------------------|-----|------------------------|-----|
| | Inch | mm | Inch | mm | Inch | mm |
| A | 1.56 | 40 | 2.13 | 54 | 3.00 | 76 |
| B | 1.50 | 38 | 1.94 | 49 | 2.25 | 57 |
| C | 1.13 | 29 | 1.13 | 29 | 2.38 | 60 |
| D | .56 | 14 | .56 | 14 | 1.19 | 30 |
| E | 3/8-16UNC 7/16" deep | | 3/8-16UNC 9/16" deep | | 1/2-13UNC 3/4" deep | |
| F | 1.75 | 44 | 2.25 | 57 | 3.13 | 79 |
| G | 1.56 | 40 | 2.13 | 54 | 3.13 | 79 |
| H | 3.19 | 81 | 3.75 | 95 | 5.34 | 136 |
| J | 1.88 | 48 | 2.44 | 62 | 3.44 | 87 |
| K | 2.31 | 59 | 3.09 | 78 | 4.56 | 116 |
| L | 4.34 | 110 | 5.38 | 137 | 7.31 | 186 |
| M | 5.31 | 135 | 6.34 | 161 | 7.88 | 200 |
| N | Left of center .53 13 | | On center 1.00 25 | | | |
| Q | 1.44 | 37 | 1.78 | 45 | 2.31 | 59 |